

SLP20XP

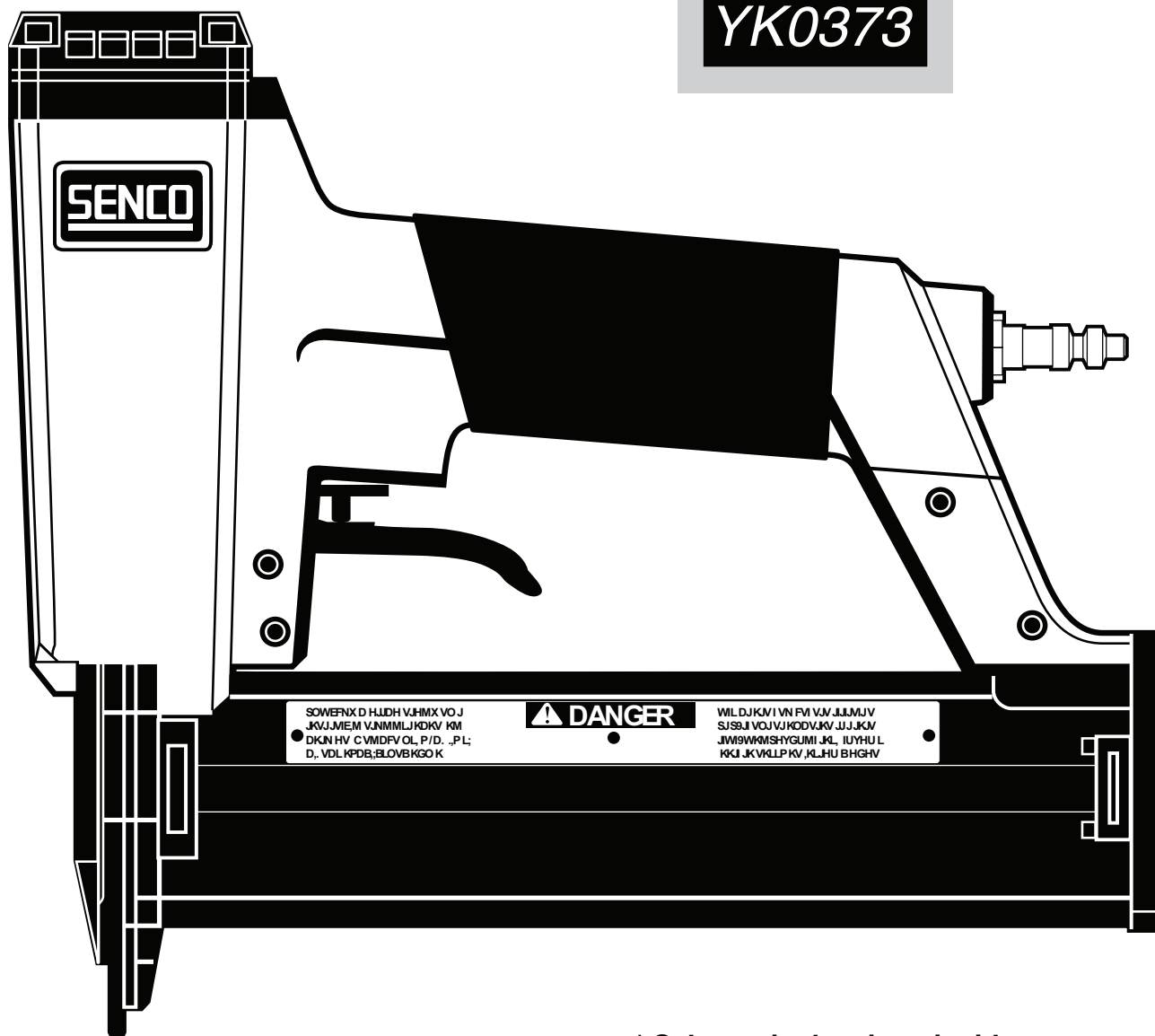


Parts Reference Guide



Parts Kit

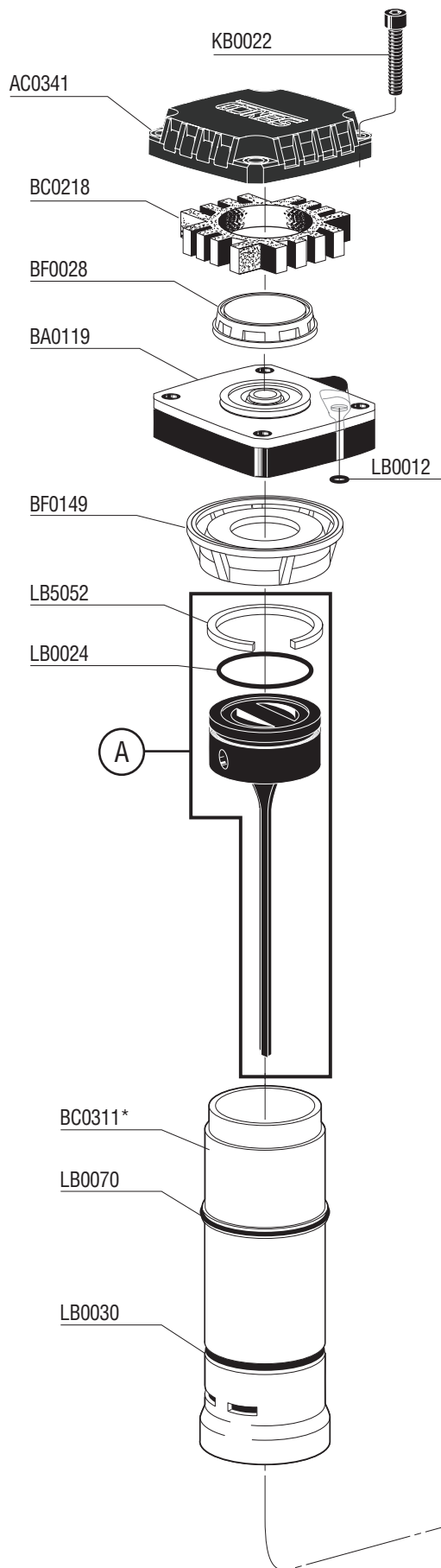
YK0373



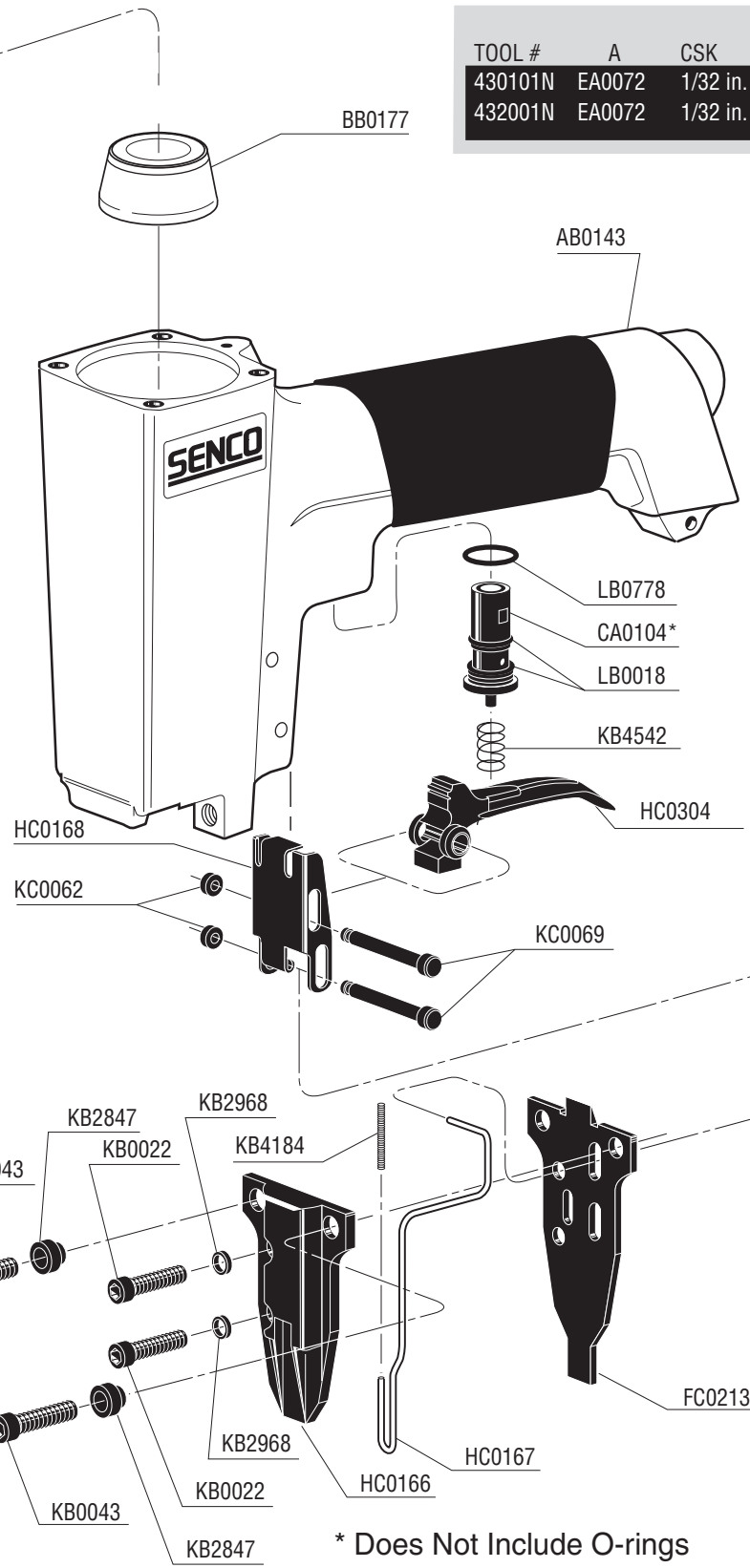
* Schematic drawings inside

Senco Brands Inc.
 4270 Ivy Pointe Blvd.
 Cincinnati, Ohio 45245
 Visit Our Website: www.senco.com

Questions? Comments? call SENCO's toll-free Action-line:
 1-800-543-4596 (North and South America Only)
 or e-mail: toolprof@senco.com

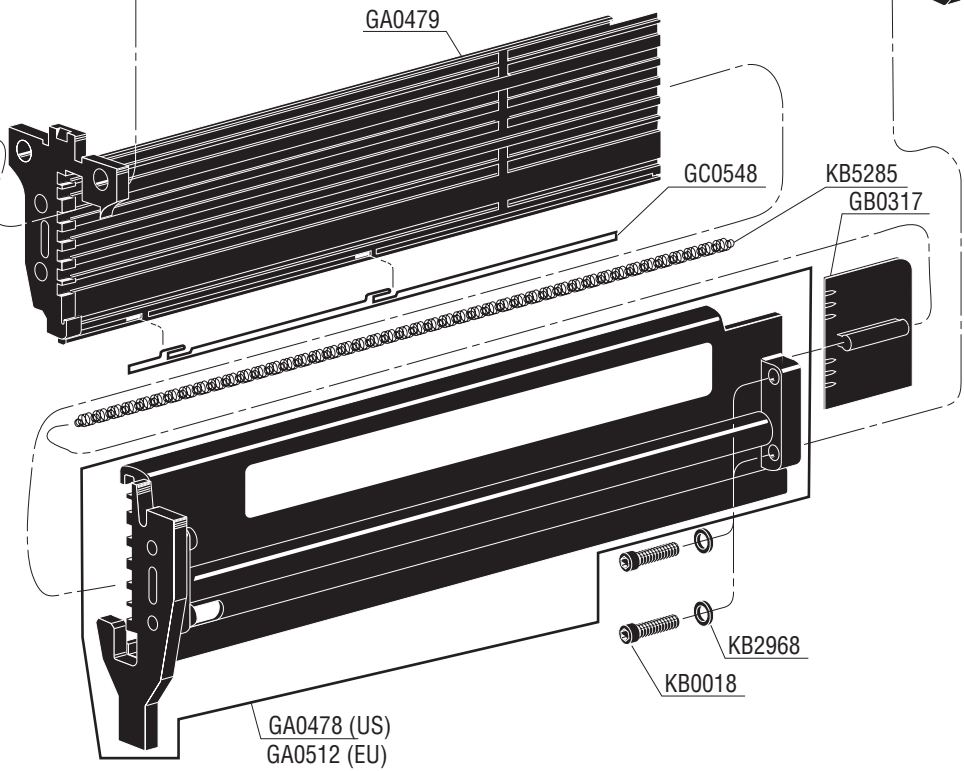
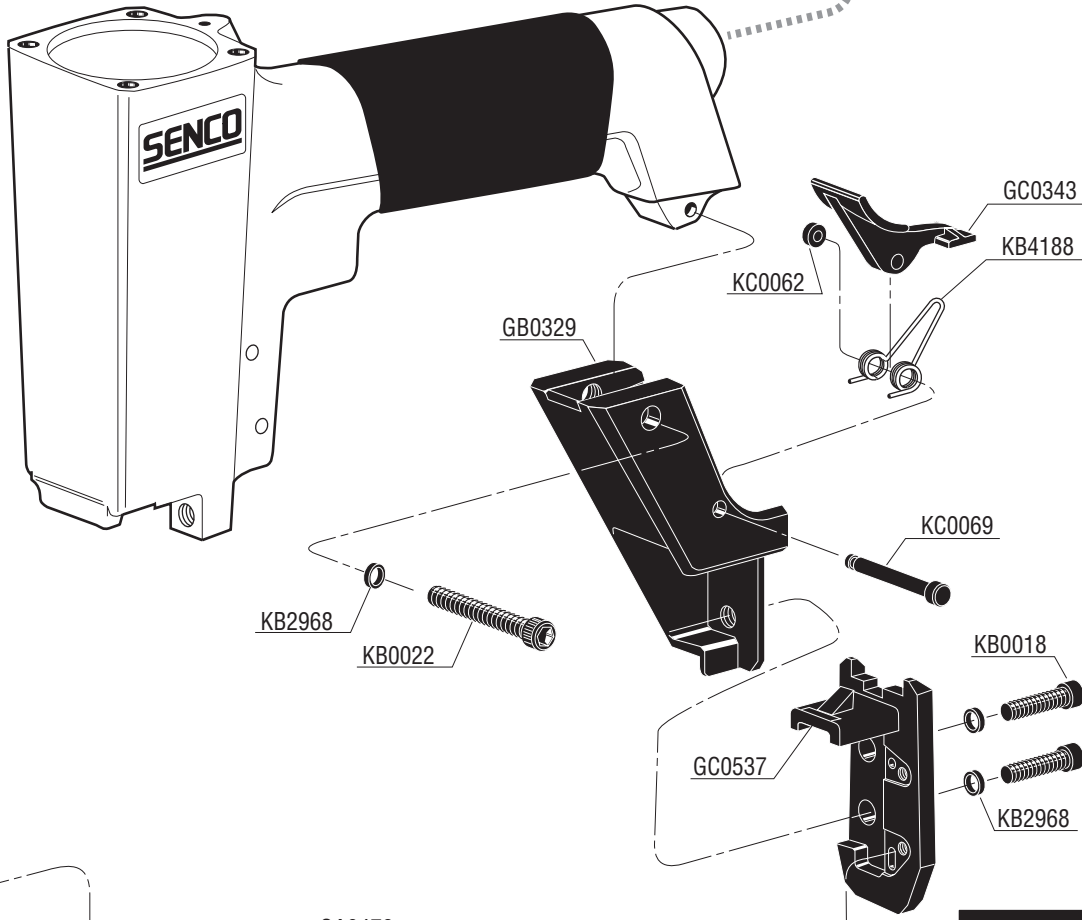


TOOL #	A	CSK
430101N	EA0072	1/32 in.
432001N	EA0072	1/32 in.



- * Does Not Include O-rings
- * No incluye sellos de gomas
- * Ohne Dichtringe
- * Joints exclus

MFG043 Revised December 21, 2009 (Replaces 4/25/08) ©1991, 2009 by SENCO Brands, Inc. Cincinnati, Ohio 45245 - U.S.A.



Available Plugs
(Not Included with Tool)

<p>PC0479 ✓</p> <p>1/4" Body</p> <p>Ind. Interchange 1/4" NPT</p>
<p>PC0486</p> <p>3/8" Body</p> <p>Ind. Interchange 1/4" NPT</p>
<p>PC0468 ✓</p> <p>1/4" Body</p> <p>Tru-Flate 1/4" NPT</p>
<p>PC0474</p> <p>3/8" Body</p> <p>Tru-Flate 1/4" NPT</p>

✓ **Recommended Plugs**
Plugs shown smaller than actual size

PART #	DESCRIPTION	DESCRIPCIÓN	BESCHREIBUNG	DÉSIGNATION
AB0143	MAIN BODY ASSY	ASAMBLE DE CARCASA	GEHÄUSE-ZUSAMMENBAU	CORPS D'ASSEMBLÉE
AC0341	DEFLECTOR	DESVIADOR	ABWEISER	DÉFLECTEUR
BA0119	VALVE ASSY	ASAMBLE DE VÁLVULA	VENTIL-ZUSAMMENBAU	VALVE D'ASSEMBLÉE
BB0177	STOP	TOPE	PUFFER	ARRÊT
BC0311	CYLINDER	CILINDRO	ZYLINDER	CYLINDRE
BC0218	MUFFLER	SILENCIADOR	DÄMPFER	SILENCIEUX
BF0028	SEAL	SELLO	DICHTUNG	JOINT
BF0149	RETAINER	JUNTA TÓRICA	SICHERUNGSRING	RETENUE
CA0104	VALVE ASSY	ASAMBLE DE VÁLVULA	VENTIL-ZUSAMMENBAU	VALVE D'ASSEMBLÉE
EA0072	PISTON ASSY (1/32" csk)	ASAMBLE DE PISTON	KOLBEN-ZUSAMMENBAU	PISTON D'ASSEMBLÉE
FC0213	PLATE	PLACA	PLATTE	PLAQUE
GA0478	RAIL ASSY (US)	ASAMBLE DE CARRIL	SCHIENE-ZUSAMMENBAU	RAIL D'ASSEMBLÉE
GA0479	RAIL ASSY	ASAMBLE DE CARRIL	SCHIENE-ZUSAMMENBAU	RAIL D'ASSEMBLÉE
GA0512	RAIL ASSY (EU)	ASAMBLE DE CARRIL	SCHIENE-ZUSAMMENBAU	RAIL D'ASSEMBLÉE
GB0317	FEEDER SHOE	ALIMENTADOR	NAGELSCHIEBER	POUSSOIR
GB0329	SUPPORT	SOPORTE	TRAGER	SUPPORT
GC0343	LATCH	UÑETA	VERSCHLUSS	DOIGT DE RETENUE
GC0537	LATCH	UÑETA	VERSCHLUSS	DOIGT DE RETENUE
GC0548	GUIDE	GUÍA	FÜHRUNG	GUIDE
HC0166	COVER	CUBIERTA	ABDECKUNG	COUVERCLE
HC0167	SAFETY ELEMENT	SEGURO	SICHERHEITSVORRICHTUNG	PALPEUR DE SÉCURITÉ
HC0168	LINK	VARILLA DE CONEXIÓN	GESTÄNGE	BIELLETTE
HC0304	TRIGGER	GATILLO	AUSLÖSER	GACHETTE
KB0018	SCREW	TORNILLO	SCHRAUBE	VIS
KB0022	SCREW	TORNILLO	SCHRAUBE	VIS
KB0043	SCREW	TORNILLO	SCHRAUBE	VIS
KB2968	WASHER	ARANDELA	SCHIEBE	RONDELLE
KB2847	INSERT	ACOPLAMIENTO	EINSATZ	INSERT
KB4184	SPRING	MUELLE	FEDER	RESSORT
KB4188	SPRING	MUELLE	FEDER	RESSORT
KB4542	SPRING	MUELLE	FEDER	RESSORT
KB5285	SPRING	MUELLE	FEDER	RESSORT
KC0062	RETAINER	JUNTA TÓRICA	SICHERUNGSRING	RETENUE
KC0069	PIN	PASADOR	STIFT	GOUPILLE
LB0012	SEAL	SELLO	DICHTUNG	JOINT
LB0018	SEAL	SELLO	DICHTUNG	JOINT
LB0024	SEAL	SELLO	DICHTUNG	JOINT
LB0030	SEAL	SELLO	DICHTUNG	JOINT
LB0070	SEAL	SELLO	DICHTUNG	JOINT
LB0778	SEAL	SELLO	DICHTUNG	JOINT
LB5052	SEAL	SELLO	DICHTUNG	JOINT