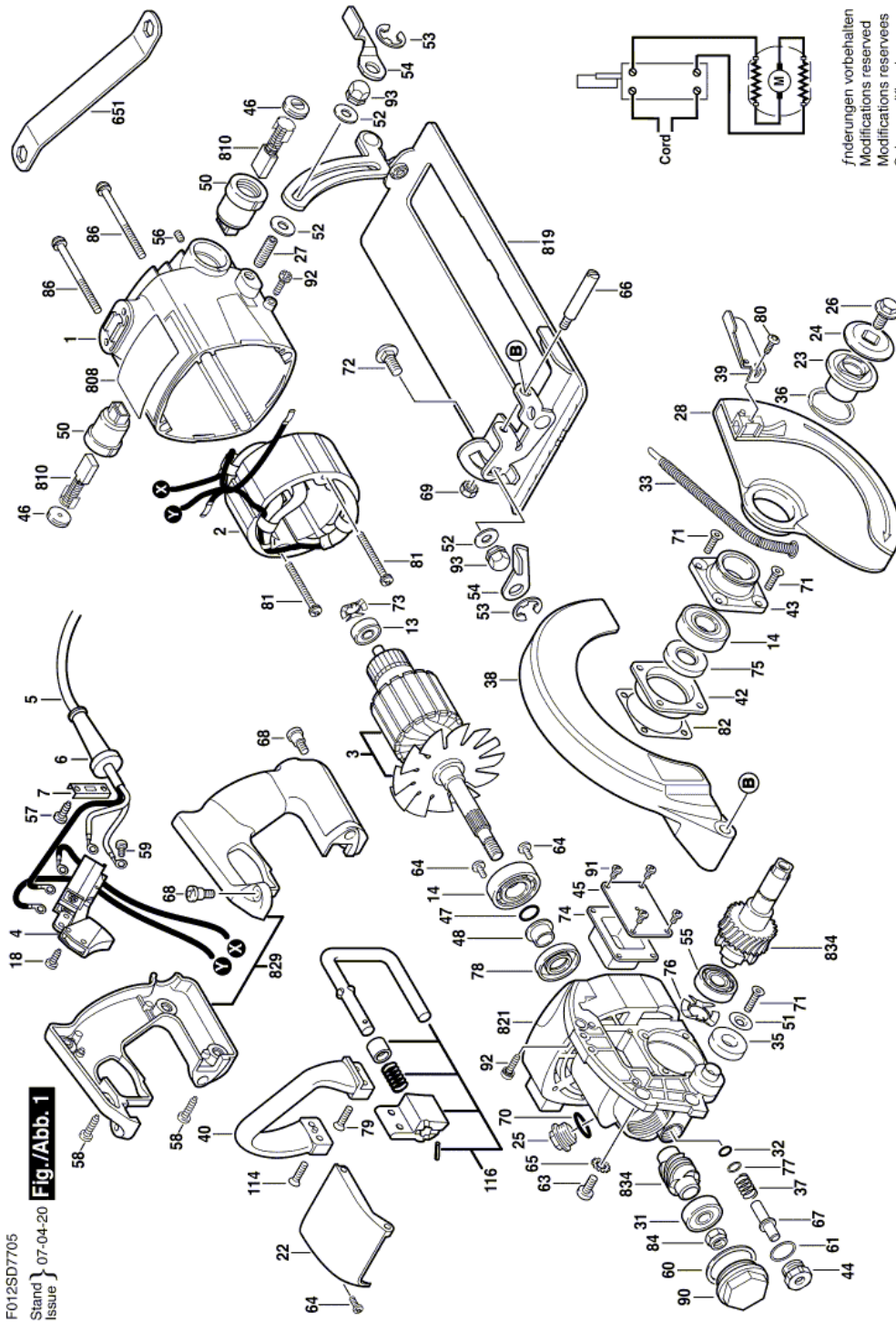


Circular hand saw - F 012 SD7 705 - SHD77

Item	Part Number	Description	Illustration	Price	Quantity	Price Group
1	2 610 352 051	Motor Housing	1	-,-	1	33
2	1 619 P02 674	Field 120V	1	-,-	1	-
3	2 610 931 892	Armature 120V	1	-,-	1	44
4	2 610 321 608	On-Off Switch	1	-,-	1	32
5	1 619 X01 570	Cord	1	-,-	1	-
6	1 619 X08 308	Grommet	1	-,-	1	-
7	2 610 320 492	Clamp	1	-,-	1	-
13	2 610 017 348	Deep-Groove Ball Bearing	1	-,-	1	23
14	2 610 024 748	Ball Bearing	1	-,-	2	22
18	2 610 901 971	Screw	1	-,-	1	10
22	2 610 303 855	Cover	1	-,-	1	15
23	1 619 X01 249	Washer	1	-,-	1	18
24	1 619 X02 969	Washer	1	-,-	1	21
25	2 610 023 384	Lock	1	-,-	1	11
26	2 610 000 050	Collar bolt	1	-,-	1	14
27	2 610 315 286	Bolt	1	-,-	1	11
28	1 619 X03 956	Lower guard	1	-,-	1	-
31	2 610 017 875	Ball Bearing	1	-,-	1	20
32	1 619 X03 779	O-Ring	1	-,-	1	-
33	1 619 X06 927	Extension Spring	1	-,-	1	-
35	2 610 319 494	End stop	1	-,-	1	12
36	2 610 341 359	Spring retaining ring	1	-,-	1	12
37	2 610 023 394	Spring	1	-,-	1	11
38	1 619 X01 171	Upper guard	1	-,-	1	-
39	1 619 X01 237	Lever	1	-,-	1	-
40	1 619 X01 204	Handle	1	-,-	1	-
42	2 610 352 115	Pivot Plate	1	-,-	1	18
43	2 610 352 091	Holding Plate	1	-,-	1	23
44	2 610 023 324	Pin	1	-,-	1	13
45	2 610 023 336	Cover	1	-,-	1	15
46	1 619 X01 268	Device cap	1	-,-	2	10
47	2 610 044 638	O-Ring	1	-,-	1	11
48	2 610 023 330	Seal	1	-,-	1	-

Item	Part Number	Description	Illustration	Price	Quantity	Price Group
50	2 610 329 940	Carbon Brush Holder	1	-,-	2	21
51	2 610 004 341	Washer	1	-,-	1	11
52	2 610 912 616	Washer	1	-,-	3	10
53	2 610 968 747	Spring retaining ring	1	-,-	2	10
54	2 610 968 745	Lever	1	-,-	2	13
55	2 610 000 166	Ball Bearing	1	-,-	1	-
56	2 610 027 039	Set screw	1	-,-	2	-
57	2 610 315 299	Screw	1	-,-	2	11
58	2 610 315 380	Screw	1	-,-	4	11
59	1 619 X03 644	Screw	1	-,-	1	-
60	2 610 023 331	Washer	1	-,-	1	11
61	2 610 025 067	Washer	1	-,-	1	11
63	2 610 329 955	Screw	1	-,-	2	11
64	1 619 X01 786	Contact Screw	1	-,-	4	10
65	2 610 306 355	Washer	1	-,-	2	11
66	2 610 319 932	Bolt	1	-,-	1	12
67	2 610 325 655	Pin	1	-,-	1	11
68	2 610 353 799	Screw	1	-,-	4	11
69	2 610 356 026	Nut	1	-,-	1	11
70	1 616 B10 364	O-Ring	1	-,-	1	-
71	2 610 027 002	Screw	1	-,-	5	11
72	2 610 016 325	Bolt	1	-,-	1	10
73	2 610 004 459	Spring Washer	1	-,-	1	11
74	2 610 023 335	Insert	1	-,-	1	13
75	2 610 025 245	Seal	1	-,-	1	16
76	2 610 931 237	Spring Washer	1	-,-	1	10
77	2 610 017 016	Washer	1	-,-	1	11
78	2 610 329 927	Seal	1	-,-	1	15
79	2 610 993 549	Screw	1	-,-	2	-
80	1 619 X06 749	Screw	1	-,-	1	10
81	2 610 329 950	Screw	1	-,-	2	11
82	2 610 023 334	Sealing Plate	1	-,-	1	11
84	2 610 318 324	Nut	1	-,-	1	11
86	2 610 329 953	Screw	1	-,-	4	11
90	2 610 923 336	Bearing cover	1	-,-	1	-
91	2 610 353 289	Tapping Screw	1	-,-	4	11
92	2 610 932 218	Screw	1	-,-	2	11
93	1 619 X01 283	Nut	1	-,-	2	14
114	2 610 911 890	Screw	1	-,-	2	-
116	1 619 X01 264	Assembly Hook	1	-,-	1	-
651	1 619 X01 144	Socket wrench	1	-,-	1	-
808	2 610 947 844	Manufacturer's nameplate	1	-,-	1	-
810	1 619 X01 351	Carbon-Brush Set	1	-,-	1	23
819	1 619 X01 350	Plate	1	-,-	1	-
821	2 610 352 057	Gear Housing	1	-,-	1	33
829	1 619 X01 363	Set Of Handles	1	-,-	1	24
834	1 619 X02 374	Set Of Gears	1	-,-	1	38

Illustration - Type E



F012SD7705

Stand }
 Issue } 07-04-20

Fig./Abb. 1

Information subject to change without further notice.