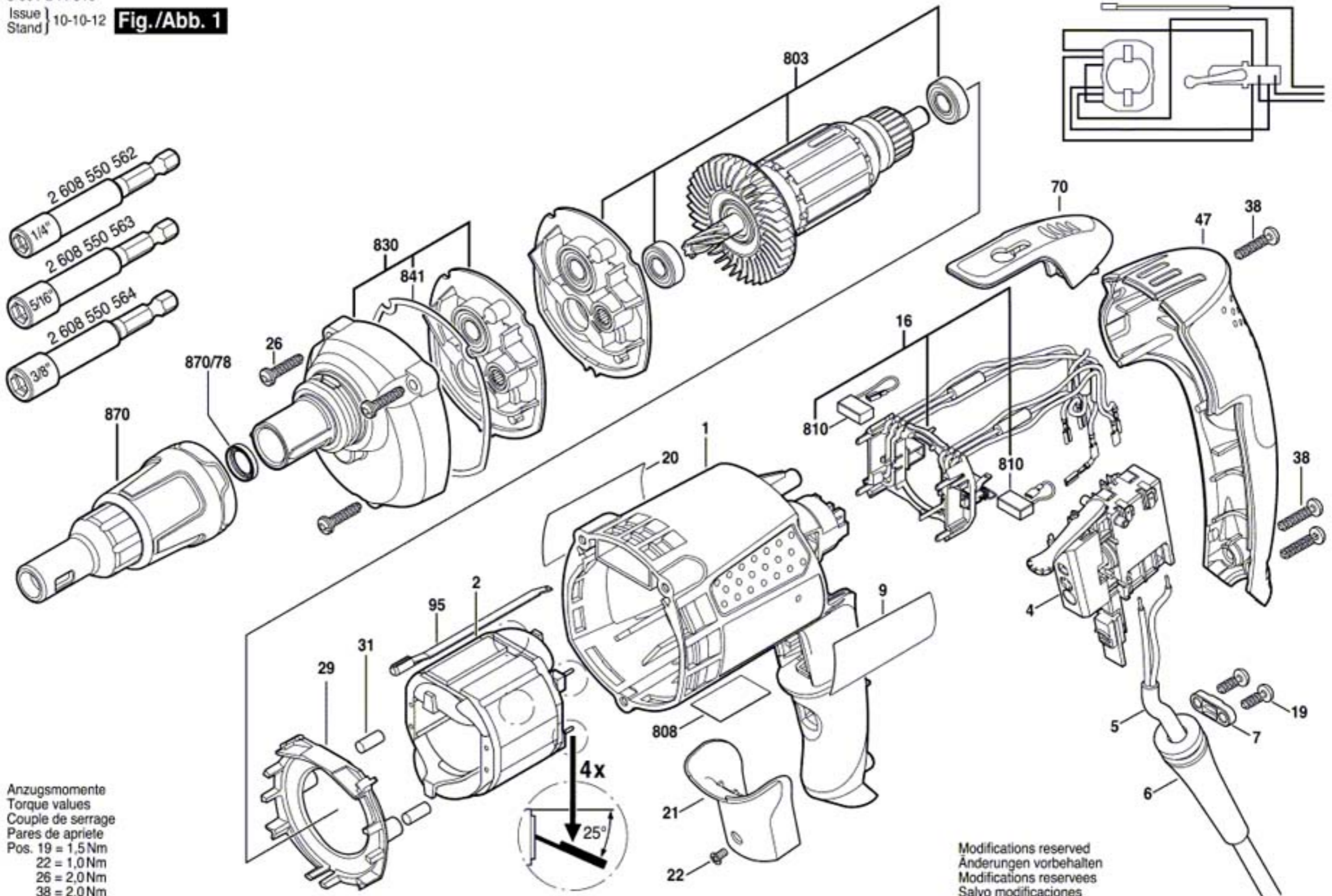


3 601 D41 310

Issue } 10-10-12 **Fig./Abb. 1**  
Stand }

- 2 608 550 562
- 1/4"
- 2 608 550 563
- 5/16"
- 2 608 550 564
- 3/8"



Anzugsmomente  
Torque values  
Couple de serrage  
Pares de apriete  
Pos. 19 = 1,5 Nm  
22 = 1,0 Nm  
26 = 2,0 Nm  
38 = 2,0 Nm

Modifications reserved  
Änderungen vorbehalten  
Modifications reserves  
Salvo modificaciones