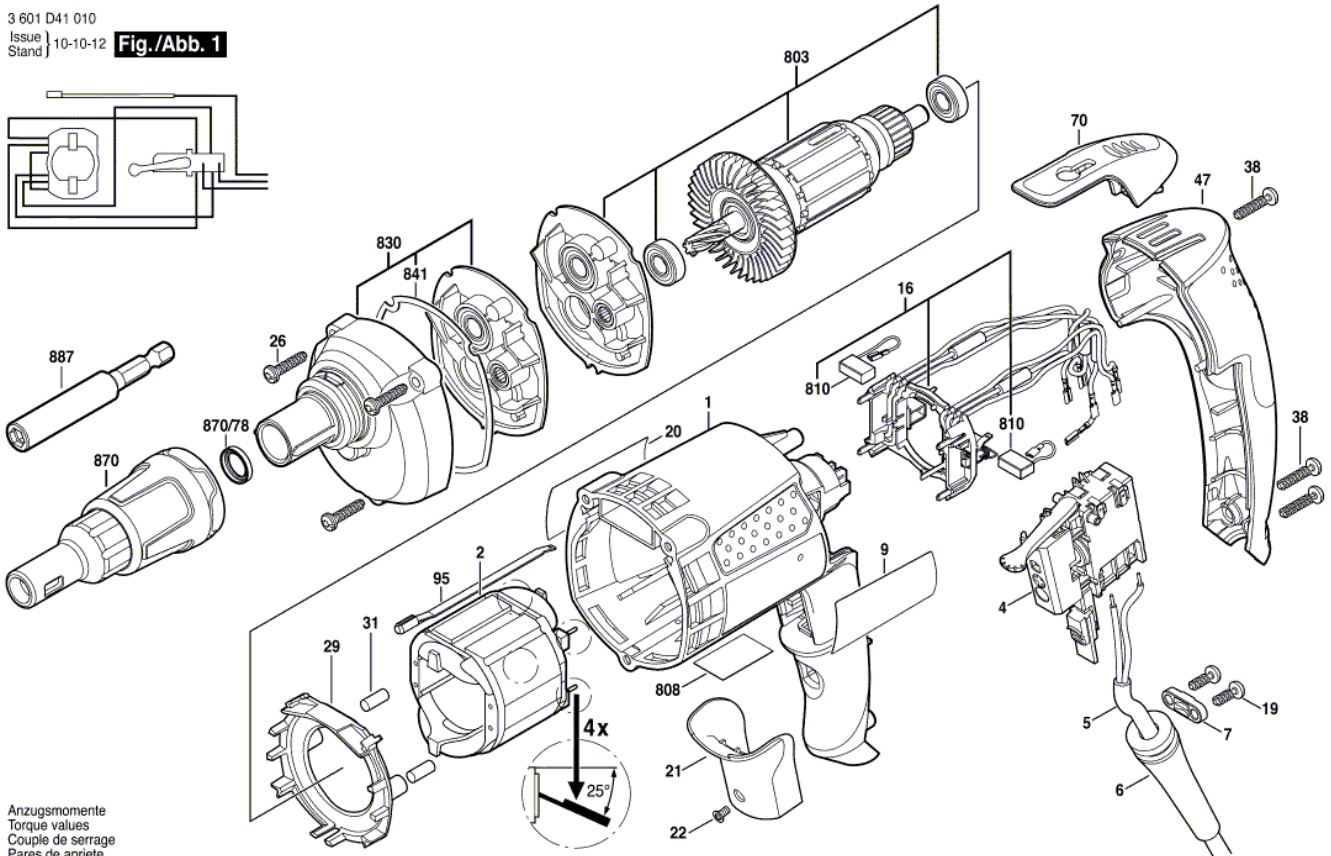




3 601 D41 010
Issue | 10-10-12
Stand |

Fig./Abb. 1



Anzugsmomente
Torque values
Couple de serrage
Pares de apriete
Pos. 19 = 1,5 Nm
22 = 1,0 Nm
26 = 2,0 Nm
38 = 2,0 Nm

Modifications reserved
Änderungen vorbehalten
Modifications reserves
Salvo modificaciones



Pos.	Part Number	Description	Pos.	Part Number	Description
1	2 605 108 083	Motor Housing			
2	2 604 220 455	Field			
4	2 607 200 639	Switch			
5	2 604 460 313	Power supply cord			
6	2 600 703 018	Grommet			
7	2 601 035 004	Cable Clip			
9	2 601 115 056	Manufacturer's nameplate			
16	2 605 807 123	Brush Plate			
19	2 603 490 021	Torx Oval-Head Screw			
20	2 601 115 266	Reference Plate			
21	2 605 500 196	Switch Cover			
22	2 910 541 050	Countersunk-Head Screw			
26	2 603 490 024	Torx Oval-Head Screw			
29	2 601 328 078	Cover Disc			
31	2 602 391 004	Rubber Buffer			
38	2 603 490 023	Torx Oval-Head Screw			
47	2 605 132 061	Housing Cover			
70	2 601 329 113	Belt holder clip			
95	2 601 329 115	Contact Strap			
803	2 604 011 929	Armature			
808	2 601 115 250	Marking Plate			
810	2 604 321 942	Carbon-Brush Set			
830	2 606 200 223	Gear Unit			
841	2 601 015 097	Seal			
870	2 602 025 165	Depth-Gauge			
870/78	3 600 290 502	Seal Ring			
887	3 603 008 500	Toolholder			