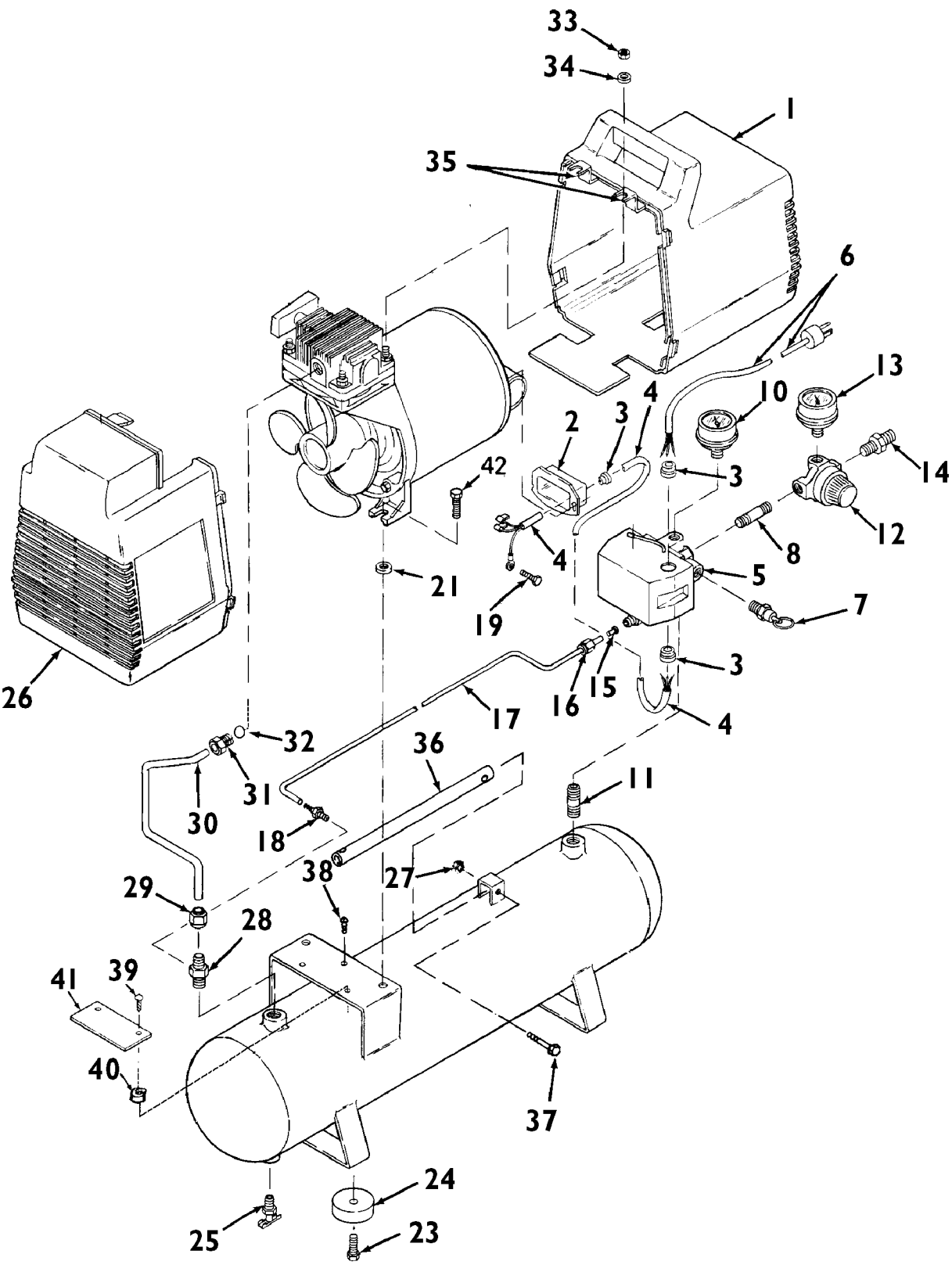


POSITION LOCATING
MARK TOWARD MOTOR.

KEY NO.	TORQUE
55	7 to 10 Ft. Lbs.
56	7 to 10 Ft. Lbs.
66	100 to 120 In. Lbs.
69	80 to 100 In. Lbs.
u	42 to 48 In. Lbs.



Parts List for SDS100E3D Type 0

Item Number	Part Number	Description	Qty Required
1	000000-00	No Longer Available	1
2	000000-00	No Longer Available	1
3	33821-00	BUSHING	3
3	438010040063	HEYCO BUSHINGS	1
4	SUDL-402-2	ASSY CORD MOTOR SJT	1
5	000000-00	No Longer Available	1
6	SUDL-403-1	ASSY CORD POWER SJT	1
7	TIA-4150	VALVE SAFETY 150 .25	1
8	N044990	NIPPLE CLOSE 1/4-18	1
10	A18885	GAUGE	1
11	N053094	NIPPLE	1
12	CAC-4296-1	REGULATOR 3PORT P2 L	1
13	Z-D23004	GAUGE 1.5OD 200PSI .	1
14	D26889	ADAPTER .25 NPT X .2	1
15	5130039-00	SLEEVE	1
16	SSP-7811	ASSY NUT SLEEVE 1/4	1
17	CAC-1245-1	TUBE PRESSURE RELIEF	1
18	000000-00	No Longer Available	1
19	SUDL-9-1	SCREW #8-32X.375/.34	1
20	SSF-928	SCREW .313-18X.875 H	2
21	000000-00	No Longer Available	1
23	91895680	SCREW .250-20X.750 H	4
24	SST-5314-1	BUMPER RECESS RUBBER	4
25	N286039	DRAIN VALVE	1
26	000000-00	No Longer Available	1
27	SSF-8150	NUT .312-18 UNC HEX	1
28	A19711	VALVE CHECK 1/2NPT X	1

Parts List for SDS100E3D Type 0

Item Number	Part Number	Description	Qty Required
29	SSP-7813	ASSY NUT SLEEVE 3/8	1
30	CAC-1155	TUBE OUTLET 2.5 & 3H	1
31	SSP-7821-1	NUT .563-18 UNF HEX	1
32	CAC-1155	TUBE OUTLET 2.5 & 3H	1
33	038738-00	NUT	2
34	330016-13	WASHER	2
35	CAC-1121	BRACKET SHROUD	2
36	000000-00	No Longer Available	1
37	SSF-3121-ZN	SCREW .313-18X1.75 H	1
38	SSF-953-ZN	SCREW #10X.625 HHW S	1
39	KK-4981	KIT MUFFLER FILTER	1
40	DAC-143	FILTER INTAKE	1
41	KK-4981	KIT MUFFLER FILTER	1
42	SSF-990	SCREW .250-20X1.25 U	2
43	000000-00	No Longer Available	1
44	000000-00	No Longer Available	2
45	000000-00	No Longer Available	1
46	000000-00	No Longer Available	1
47	SSG-8156	ORING 2.759/2.719ID	1
48	KK-4835	KIT CONNECTING ROD L	1
49	KK-4835	KIT CONNECTING ROD L	1
50	000000-00	No Longer Available	1
51	000000-00	No Longer Available	1
52	SSF-3155	SCREW .250-28X.500 U	1
53	CAC-1055-1	FAN ONE CYL	1
54	000000-00	No Longer Available	1
55	SST-3025-1	BEARING 17MM SINGLE	1

Parts List for SDS100E3D Type 0

Item Number	Part Number	Description	Qty Required
56	000000-00	No Longer Available	1
57	000000-00	No Longer Available	1
58	000000-00	No Longer Available	1
59	000000-00	No Longer Available	1
60	000000-00	No Longer Available	1
61	000000-00	No Longer Available	1
62	000000-00	No Longer Available	1
856	K-0650	KIT COMP RING REPLAC	1
856	KK-4981	KIT MUFFLER FILTER	1
856	KK-4315	KIT VALVE REPLACEMEN	1
856	KK-4835	KIT CONNECTING ROD L	1