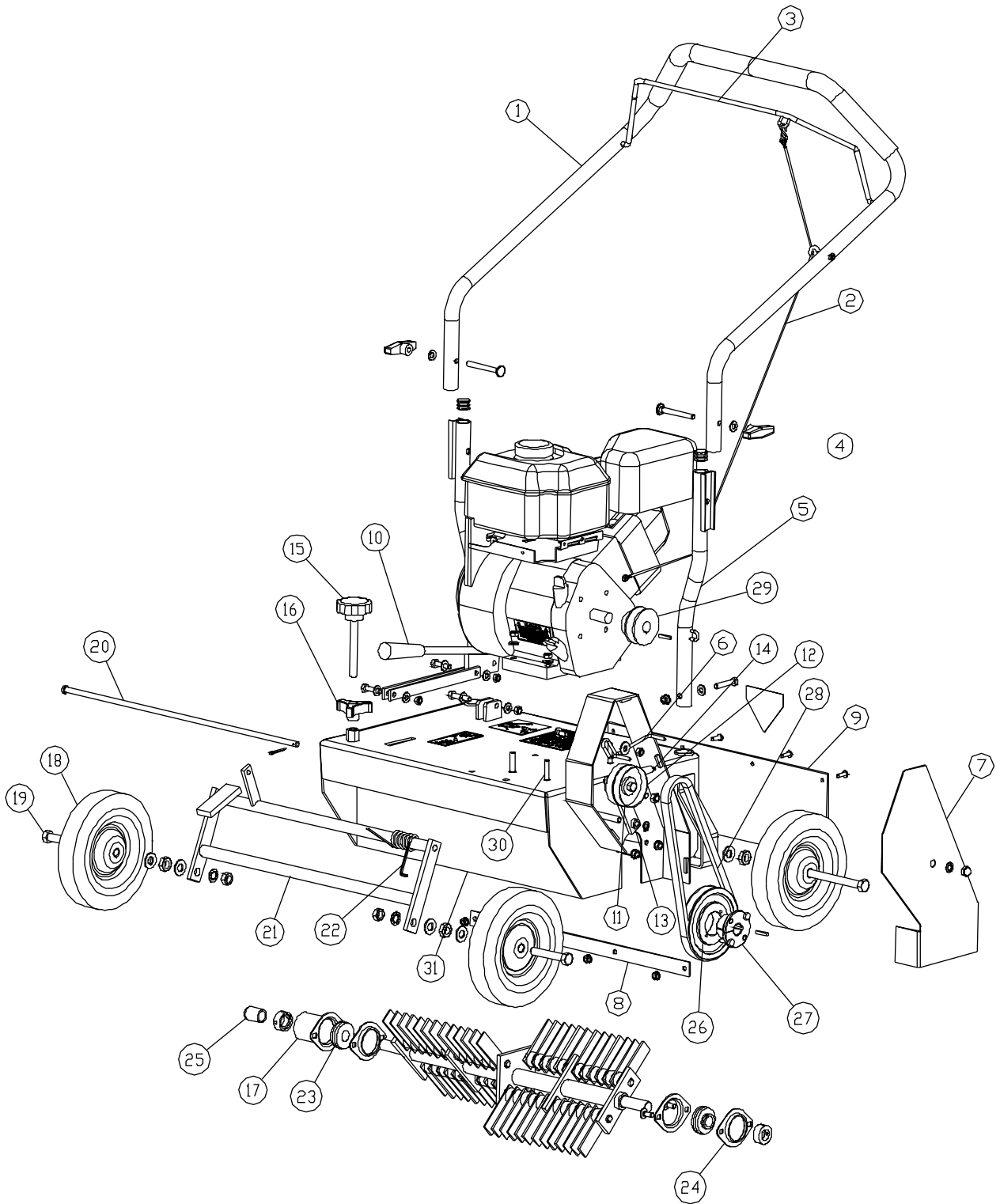


DT18, DT18C, SD18

Spare parts
Ersatzteile
Pièces détachées
Reserve onderdelen
Repuestos
Reservdelar

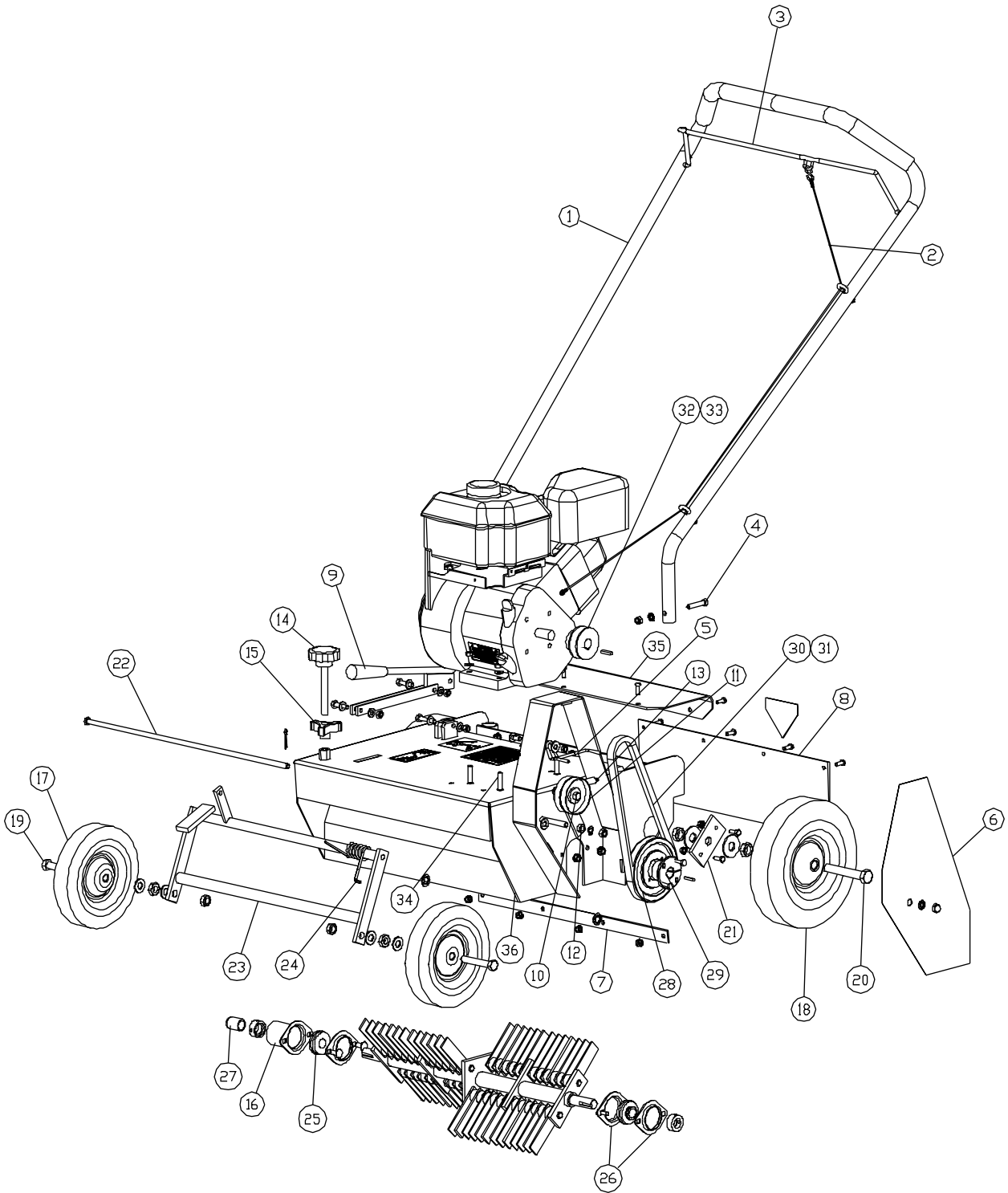
DT18C Compact Dethacher



DT18C Compact Dethacher

ITEM	PART NO.	DESCRIPTION
1	540054001	Handle Assy. - includes handle,bail,clutch cable,S-hook and handle grip,eye bolt and nut
2	540054002	Clutch Cable Assy. - includesclutch cable and S-hook
3	540054003	Bail
4	540054004	Knob,Folding Handle Kit - includes knob washer and bolt
5	540054005	Lower Handle Assy. - includes folding handle mount,5/16 - 18 x 1 3/4" HCS,internal lock washer and 5/16-18 hex nut
6	540005140	Belt Keeper Kit - includes belt keeper,5/16 washer,5/16 hex lock nut,5/16-18x3/4 carriage bolt
7	540054006	Belt Guard Kit - includes shield, 3/8 internal lock washer and 3/8-16 acorn nut
8	540054058	Deflector Kit - includes deflector strap, 1/4-20x3/4 slotted round screw (4 ea.), 1/4-20 hex keps nut (4ea. 0
9	540005161	Deflector, neoprene
10	540054007	Depth Lever Assy. - includes height adjustment link (2ea), adjustment lever, 5/16-18x1 1/4 hex head bolt (2ea), 5/16-18x1 1/2 hex head bolt, 5/16 flat washer (6ea), 5/16-18 hex lock nut (3ea)
11	540005027	Idler Assy Kit - includes 2 3/4 idler pulley, clutchspring, idler arm, idler tab, 3/8 washeer, 3/8-16 hex jam nut, 3/8-16 hex lock nut, 3/8-16x4 hex screw
12	540000343	Pulley, idler 2 3/4 OD
13	540005121	Mounting Arm, idler pulley
14	540005129	Spring, Clutch rod
15	540054008	Depth Adjustments Knob
16	540054009	3 - pronged lock depth knob
17	540054010	Rotor guard
18	540005051	Wheel, 8 x 1 3/4, ball bearing
19	540054011	Bolt kit for wheel - includes 1/2-13x3 1/4 hex bolt, 1/2 washer (2ea), 1/2-13 hex jam nut (2ea), 1/2 lock washer (1ea)
20	540054012	Lift Arm Rod Kit - includes 1/4 cotter pin, 3/8 washer, plated rod
21	540054013	Lift Arm Assy Kit - includes lift arm weldment, torsion spring
22	540054014	Torsion spring
23	540000315	Bearing, 3/4 with locking collar
24	540005185	Stamping Kit - includes 5/16-18 hex nut (2ea), 5/16-18x3/4 carriage bolt (2ea), bearing flanges (2ea), 5/16 lockwashers (2ea)
25	540005005	Rotor cap, 3/4 ID
26	540054015	V - Pulley, B-5.0 OD, tapered bore
27	540054016	Bushing kit - includes bushing 3/4 bore with screws, 3/16 square key
28	540054017	V - Belt, B-33, special
29	540054019	V - Pulley engine kit for 3/4 bore - includes V-pulley 2 1/2 OD x 3/4 bore, 3/16 square key
30	540054021	Engine Bolt Kit - includes 5/16-18x1 1/2 carriage bolt (4ea), 5/16 washer (8ea), 5/16-18 hex lock nut (4ea)
31	540054022	Deck, DT18C
32	540054052	Kit, Decal DT18C Dethacher

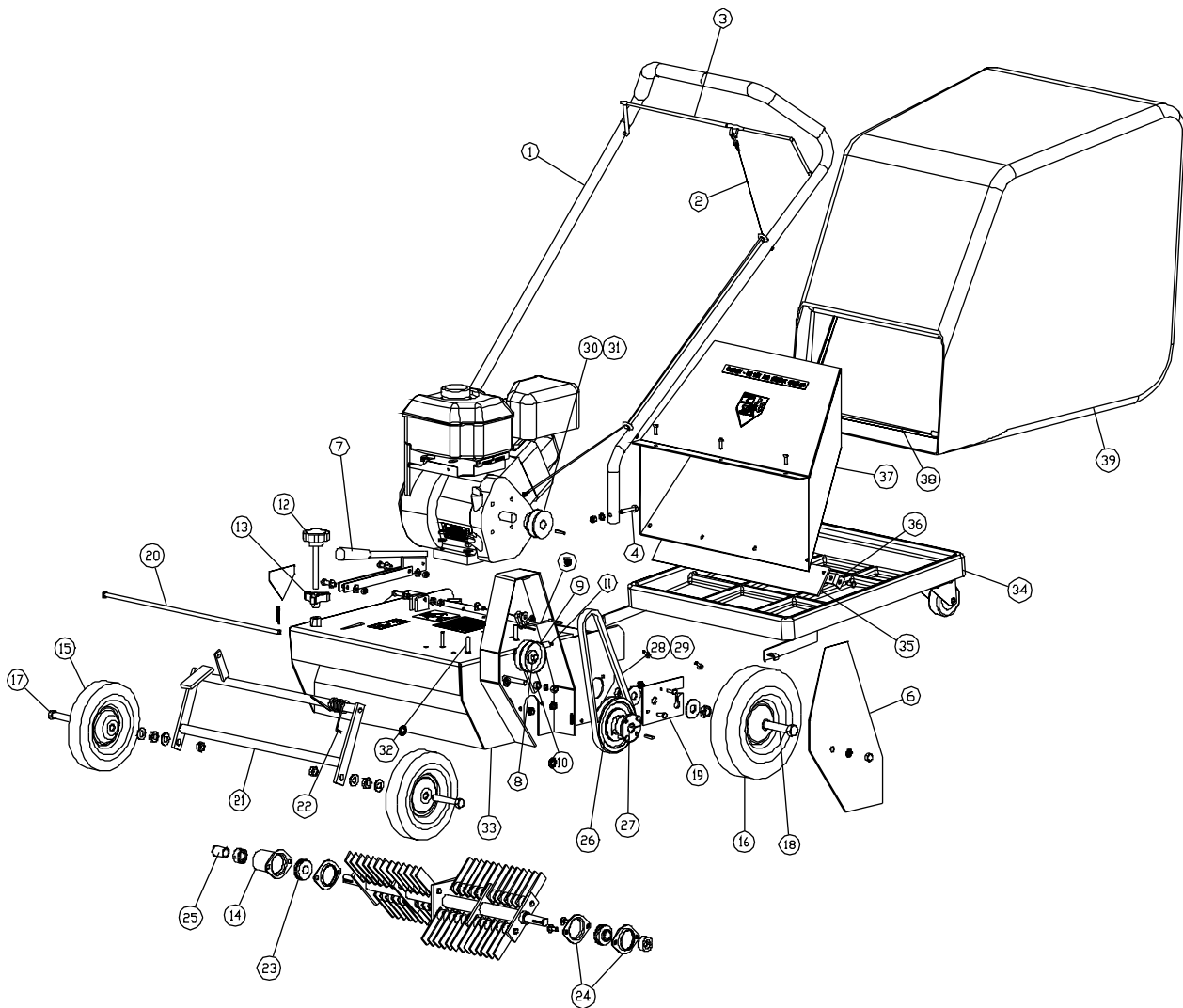
DT18 Dethacher



DT18 Dethacher

ITEM	PART NO.	DESCRIPTION
1	540054023	Handle Assy. - includes handle,bail,clutch cable,S-hook and handle grip
2	540054024	Clutch Cable Assy. - includes clutch cable and S-hook
3	540054003	Bail
4	540005167	Bolt kit, handle - includes 5/6-18x1 3/4 hex cap screw (2ea), 5/16-18 hex nut (2ea)
5	540005140	Belt keeper kit - includes belt keeper, 5/16 washer, 5/16-18 hex lock nut, 5/16-18x3/4 carriage bolt
6	540054025	Belt Guard Kit - includes shield, 3/8 internal lock washer and 3/8-16 acorn nut
7	540005162	Deflector Kit - includes deflector strap (2ea), deflector plate,1/4-20x3/4 slotted round screw (4 ea.), 1/4-20 hex nut (4ea.), 1/4 lockwasher (4ea)
8	540005161	Deflector, neoprene
9	540054007	Depth Lever Assy. - includes height adjustment link (2ea), adjustment lever, 5/16-18x1 1/4 hex head bolt (2ea), 5/16-18x1 1/2 hex head bolt, 5/16 flat washer (6ea), 5/16-18 hex lock nut (3ea)
10	540005027	Idler Assy Kit - includes 2 3/4 idler pulley, clutchspring, idler arm, idler tab, 3/8 washeer, 3/8-16 hex jam nut, 3/8-16 hex lock nut, 3/8-16x4 hex screw
11	540000343	Pulley, idler 2 3/4 OD
12	540005121	Mounting Arm, idler pulley
13	540005129	Spring, Clutch rod
14	540054008	Depth Adjustments Knob
15	540054009	3 - pronged lock depth knob
16	540054010	Rotor guard
17	540005151	Front Wheel, 8 x 1 3/4, ball bearing
18	540005053	Rear Wheel, 10 x 2 3/4, ball bearing
19	540054011	Bolt kit for front wheel - includes 1/2-13x3 1/4 hex bolt, 1/2 washer (2ea), 1/2-13 hex jam nut (2ea), 1/2 lock washer (1ea)
20	540054026	Bolt kit for rear wheel - includes 5/8-11x4 hex bolts, 5/8-11 jam nut (2ea), 5/8 flat washer (2ea)
21	540054027	Wheel plate kit - includes wheel plate and 1/4-20x3/4 hex bolt (2ea)
22	540054012	Lift Arm Rod Kit - includes 1/4 cotter pin, 3/8 washer, plated rod
23	540054028	Lift Arm Assy Kit - includes lift arm weldment, torsion spring
24	540054014	Torsion spring
25	540000315	Bearing, 3/4 with locking collar
26	540005185	Stamping Kit - includes 5/16-18 hex nut (2ea), 5/16-18x3/4 carriage bolt (2ea), bearing flanges (2ea), 5/16 lockwashers (2ea)
27	540005005	Rotor cap, 3/4 ID
28	540054015	V - Pulley, B-5.0 OD, tapered bore
29	540054016	Bushing kit - bushing 3/4 bore with screws, key 3/16x1
30	540054018	V - Belt, B-34, special
31	540000339	V-Belt, B36, special (used for 8HP engine only)
32	540054019	V - Pulley engine kit for 3/4 bore - includes V-pulley 2 1/2 OD x 3/4 bore, 3/16x1 square key
33	540054020	V - Pulley engine kit for 1" bore - includes V-pulley 2 1/2 OD x 1" bore, 1/4x1 square key (used for 8HP engine only)
34	540054021	Engine Bolt Kit - includes 5/16-18x1 1/2 carriage bolt (4ea), 5/16 washer (8ea), 5/16-18 hex lock nut (4ea)
35	540054029	Deck Cover Kit - DT18 - includes cover, 1/4-20x3/4 slotted round screw (6ea)
36	540054030	Deck, DT18
37	540054053	Kit, Decal DT18 Dethacher

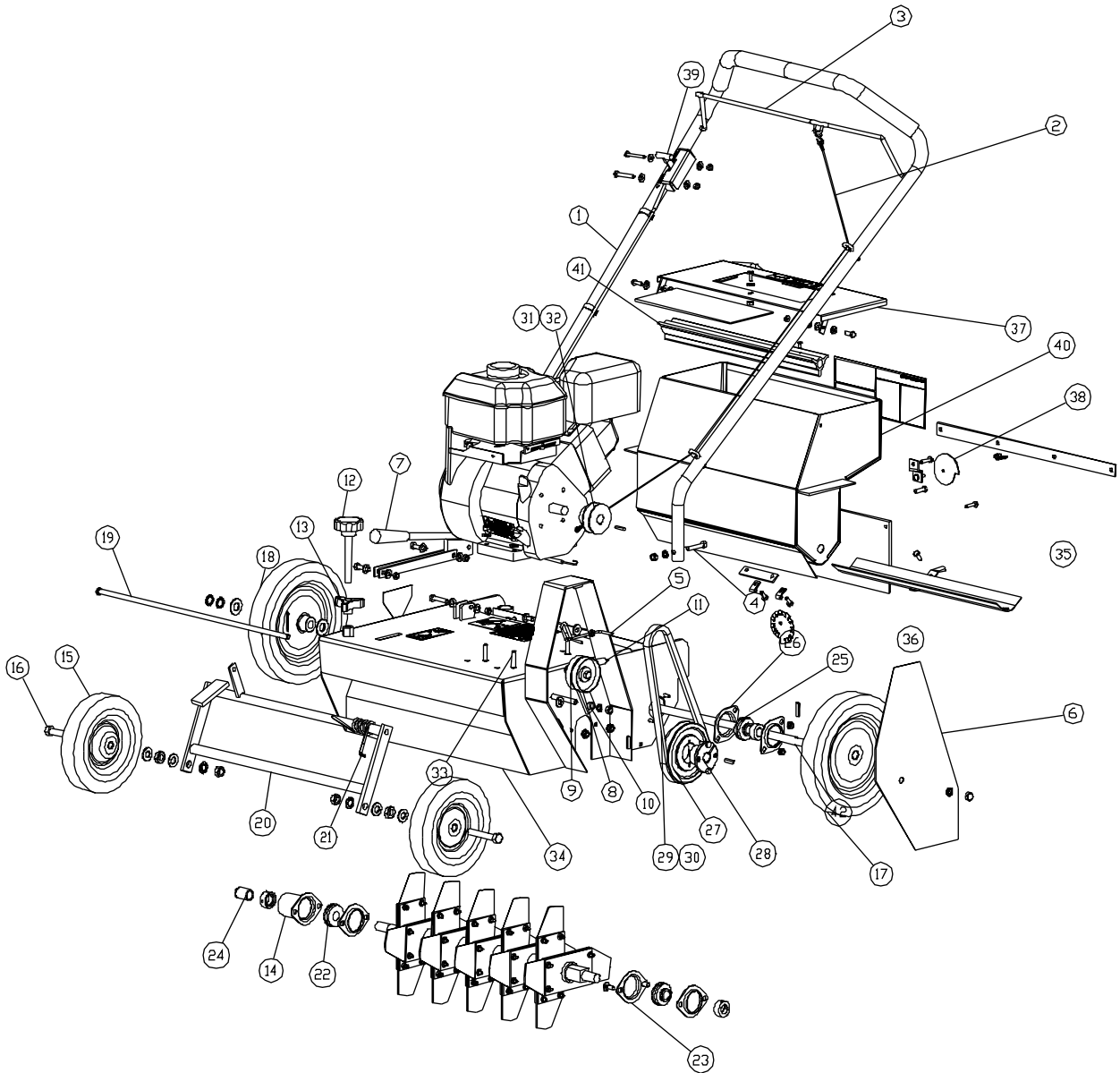
DT18 Dethacher with Bagger



DT18 Dethacher with Bagger

ITEM	PART NO.	DESCRIPTION
1	540054023	Handle Assy. - includes handle,bail,clutch cable,S-hook and handle grip
2	540054024	Clutch Cable Assy. - includes clutch cable and S-hook
3	540054003	Bail
4	540005167	Bolt kit, handle - includes 5/6-18x1 3/4 hex cap screw (2ea), 5/16-18 hex nut (2ea)
5	540005140	Belt keeper kit - includes belt keeper, 5/16 washer, 5/16-18 hex lock nut, 5/16-18x3/4 carriage bolt
6	540054025	Belt Guard Kit - includes shield, 3/8 internal lock washer and 3/8-16 acorn nut
7	540054007	Depth Lever Assy. - includes height adjustment link (2ea), adjustment lever, 5/16-18x1 1/4 hex head bolt (2ea), 5/16-18x1 1/2 hex head bolt, 5/16 flat washer (6ea), 5/16-18 hex lock nut (3ea)
8	540005027	Idler Assy Kit - includes 2 3/4 idler pulley, clutch spring, idler arm, idler tab, 3/8 washer, 3/8-16 hex jam nut, 3/8-16 hex lock nut, 3/8-16x4 hex screw
9	540000343	Pulley, idler 2 3/4 OD
10	540005121	Mounting Arm, idler pulley
11	540005129	Spring, Clutch rod
12	540054008	Depth Adjustment Knob
13	540054009	3 - pronged lock depth knob
14	540054010	Rotor guard
15	540005051	Front Wheel, 8 x 1 3/4, ball bearing
16	540005053	Rear Wheel, 10 x 2 3/4, ball bearing
17	540054011	Bolt kit for front wheel - includes 1/2-13x3 1/4 hex bolt, 1/2 washer (2ea), 1/2-13 hex jam nut (2ea), 1/2 lock washer (1ea)
18	540054026	Bolt kit for rear wheel - includes 5/8-11x4 hex bolts, 5/8-11 jam nut (2ea), 5/8 flat washer (2ea)
19	540054031	Wheel plate kit - includes wheel plate and 1/4-20x3/4 hex bolt (2ea)
20	540054012	Lift Arm Rod Kit - includes 1/4 cotter pin, 3/8 washer, plated rod
21	540054028	Lift Arm Assy Kit - includes lift arm weldment, torsion spring
22	540054014	Torsion spring
23	540000315	Bearing, 3/4 with locking collar
24	540005185	Stamping Kit - includes 5/16-18 hex nut (2ea), 5/16-18x3/4 carriage bolt (2ea), bearing flanges (2ea), 5/16 lockwashers (2ea)
25	540005005	Rotor cap, 3/4 ID
26	540054015	V - Pulley, B-5.0 OD, tapered bore
27	540054016	Bushing kit - bushing 3/4 bore with screws, key 3/16x1
28	540054018	V - Belt, B-34, special
29	540000339	V-Belt, B36, special (used for 8HP engine only)
30	540054019	V - Pulley engine kit for 3/4 bore - includes V-pulley 2 1/2 OD x 3/4 bore, 3/16x1 square key
31	540054020	V - Pulley engine kit for 1" bore - includes V-pulley 2 1/2 OD x 1" bore, 1/4x1 square key (used for 8HP engine only)
32	540054021	Engine Bolt Kit - includes 5/16-18x1 1/2 carriage bolt (4ea), 5/16 washer (8ea), 5/16-18 hex lock nut (4ea)
33	540054030	Deck, DT18
34	540054034	Bagger platform kit - includes platform, casters (2ea)
35	540054035	Neoprene chute 3/16 x 20.5
36	540054036	Chute kit - includes 3/16 x 20.5 neoprene chute flap, metal chute mounting strap, 1/4-20x5/8 hex screw (2ea), 1/4-20 hex nut (4ea)
37	540054037	Chute weldment kit - includes chute weldment and 1/4-20x3/4 round slotted screw (3ea)
38	540054038	Bagger frame
39	540005464	Catcher bag
40	540000061	Bagger conversion kit - includes bagger frame, catcher bag, chute weldment and hardware, neoprene chute flap, mounting tab and hardware, bagger platform, casters
41	540054054	Kit, decal DT18 Bagger

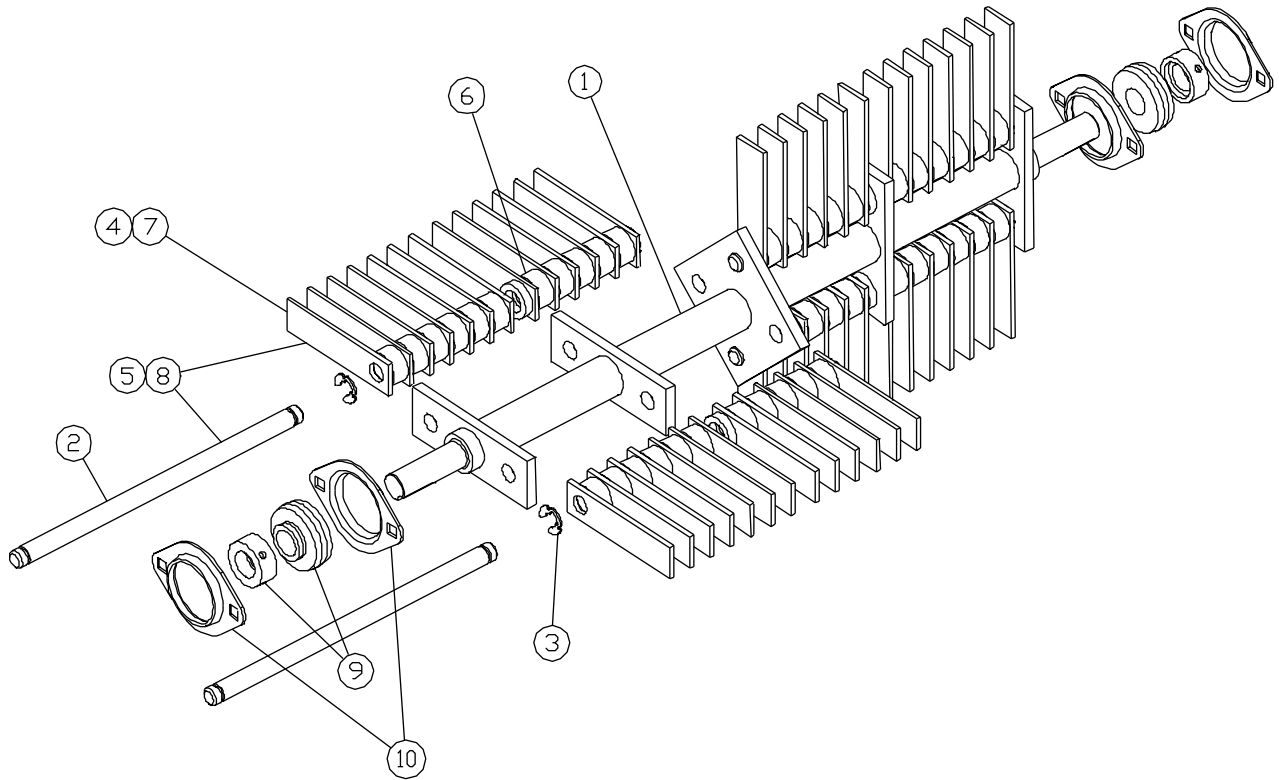
SD18 Seeder



SD18 Seeder

ITEM	PART NO.	DESCRIPTION
1	540054023	Handle Assy. - includes handle,bail,clutch cable,S-hook and handle grip
2	540054024	Clutch Cable Assy. - includes clutch cable and S-hook
3	540054003	Bail
4	540005167	Bolt kit, handle - includes 5/6-18x1 3/4 hex cap screw (2ea), 5/16-18 hex nut (2ea)
5	540005140	Belt keeper kit - includes belt keeper, 5/16 washer, 5/16-18 hex lock nut, 5/16-18x3/4 carriage bolt
6	540054025	Belt Guard Kit - includes shield, 3/8 internal lock washer and 3/8-16 acorn nut
7	540054007	Depth Lever Assy. - includes height adjustment link (2ea), adjustment lever, 5/16-18x1 1/4 hex head bolt (2ea), 5/16-18x1 1/2 hex head bolt, 5/16 flat washer (6ea), 5/16-18 hex lock nut (3ea)
8	540005027	Idler Assy Kit - includes 2 3/4 idler pulley, clutch spring, idler arm, idler tab, 3/8 washer, 3/8-16 hex jam nut, 3/8-16 hex lock nut, 3/8-16x4 hex screw
9	540000343	Pulley, idler 2 3/4 OD
10	540005121	Mounting Arm, idler pulley
11	540005129	Spring, Clutch rod
12	540054008	Depth Adjustment Knob
13	540054009	3 - pronged lock depth knob
14	540054010	Rotor guard
15	540005051	Front Wheel, 8 x 1 3/4, ball bearing
16	540054011	Bolt kit for front wheel - includes 1/2-13x3 1/4 hex bolt, 1/2 washer (2ea), 1/2-13 hex jam nut (2ea), 1/2 lock washer (1ea)
17	540054041	Wheel , left rear kit - includes 10x1.75 wheel 5/8 bore smooth, 1/4x1 1/8 roll pin
18	540054042	Wheel, right rear kit - includes 10x1.75 wheel 5/8 bore bearing, 5/8 external self locking retaining ring (2ea)
19	540054012	Lift Arm Rod Kit - includes 1/4 cotter pin, 3/8 washer, plated rod
20	540054028	Lift Arm Assy Kit - includes lift arm weldment, torsion spring
21	540054014	Torsion spring
22	540000315	Bearing, 3/4 with locking collar
23	540005185	Stamping Kit - includes 5/16-18 hex nut (2ea), 5/16-18x3/4 carriage bolt (2ea), bearing flanges (2ea), 5/16 lockwashers (2ea)
24	540005005	Rotor cap, 3/4 ID
25	540009127	Bearing, 5/8 with locking collar
26	540054049	Stamping kit - 1/4-20 hex nut (2ea), 1/4-20x3/4 carriage bolt (2ea), bearing flanges (2ea)
27	540054015	V - Pulley, B-5.0 OD, tapered bore
28	540054016	Bushing kit - bushing 3/4 bore with screws, key 3/16x1
29	540054018	V-Belt, B-34 special
30	540000339	V-Belt, B-36 special (used for 8HP engine only)
31	540054019	V - Pulley engine kit for 3/4 bore - includes V-pulley 2 1/2 OD x 3/4 bore, 3/16x1 square key
32	540054020	V - Pulley engine kit for 1" bore - includes V-pulley 2 1/2 OD x 1" bore, 1/4x1 square key (used for 8HP engine only)
33	540054021	Engine Bolt Kit - includes 5/16-18x1 1/2 carriage bolt (4ea), 5/16 washer (8ea), 5/16-18 hex lock nut (4ea)
34	540054030	Deck, DT18
35	540005162	Deflector kit - includes deflector strap (2ea), deflector plate, 1/4-20x3/4 slotted round screw (4ea), 1/4-20 nut hex (4ea), 1/4 lockwasher (4ea)
36	540005161	Deflector, neoprene
37	540054043	Lid, seed hopper kit - includes lid, window and hardware
38	540054044	Dial, gage kit - includes dial bracket and hardware
39	540054045	Control, push/pull kit - includes push/pull control, control mount plate, bracket (2ea), gate and hardware
40	540054046	Seed hopper
41	540054047	Agitator bar
42	540054048	Axle, 5/8 shaft, seeder
43	540006900	Seeder conversion kit - includes hopper, agitator, seeder control, and hardware
44	54054055	Kit Decal SD18 Seeder

Flail Blade Reel



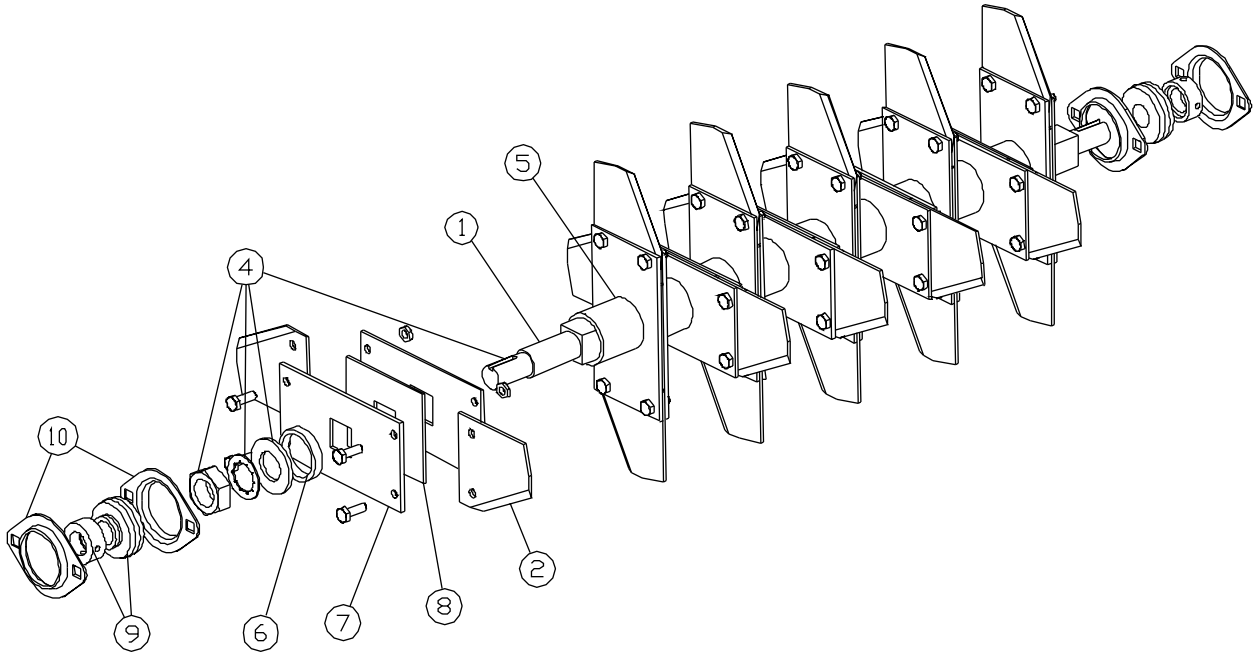
ITEM PART NO.

DESCRIPTION

1540005170 Rotor, flail assy. (does not include blades, bearings, or shafts) DT18C / DT18
540005275 Rotor, flail assy, complete w/o bearings DT18C
540005175 Rotor, flail assy, complete w/o bearings DT18
540005280 Rotor, flail assy, cmplete w/ blades and bearings DT18C
540005180 Rotor, flail assy, cmplete w/ blades and bearings DT18
2540005002 Shaft set, 4 ea w/ C-clips DT18C / DT18
3540000351 Retaining clip DT18C / DT18
4540005201 Blade set (52ea) 1/8 x 3 1/2 DT18C
5540005203 Blade and shaft set DT18C
6540005004 Spacer set, rubber (48ea) DT18C / DT18
7540005001 Blade set (52ea) DT18
8540005003 Blade and shaft set DT18
9540000315 Bearing, 3/4 with locking collar DT18C / DT18
10540005185 Stamping kit - includes flanges and hardware DT18C / DT18

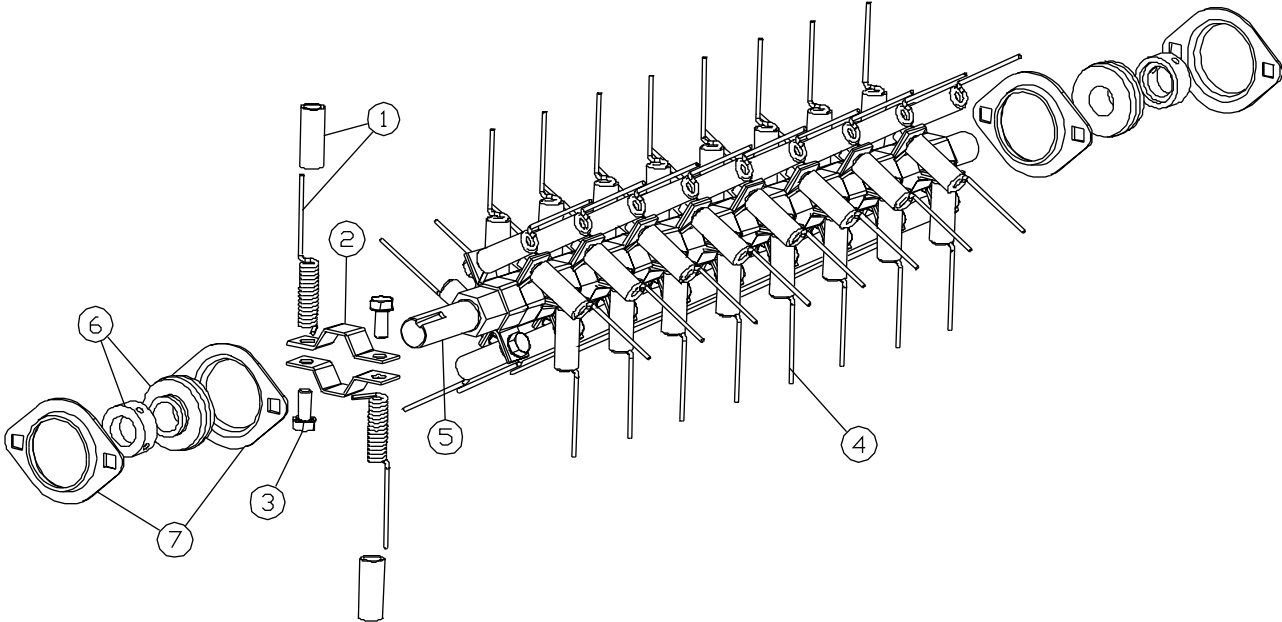
Delta Blade Reel

When blades no longer penetrate surface, replace blades



ITEM	PART NO.	DESCRIPTION
1	540005249	Delta reel assy, w/o blades or hardware DT18C
	540005049	Delta reel assy, w/o blades or hardware DT18
	540005920	Delta reel assy, complete w/o bearings DT18C
	540005940	Delta reel assy, complete w/o bearings DT18
	540005922	Delta reel assy, Complete w/ blades and bearings DT18C
	540005942	Delta reel assy, Complete w/ blades and bearings DT18
2	540005970	Blade set, Delta (20ea) DT18C / DT18
3	540005075	Bolt kit, blade DT18C / DT18
4	540005061	Shaft, delta reel w/ nut and washers DT18C / DT18
5	540005064	Spacer, carrier, steel tube (1ea) DT18C / DT18
6	540005065	End ring, steel (1ea) DT18C / DT18
7	540005268	Plate, blade carrier (1ea) DT18C
	540005062	Plate, blade carrier (1ea) DT18
8	540005269	Plate, blade spacer DT18C
	540005063	Plate, blade spacer DT18
9	540000315	Bearing, 3/4 with locking collar DT18C / DT18
10	540005185	Stamping kit - includes flanges and hardware DT18C / DT18

Spring Tine Reel



- 1. Spring tines can be replaced without removing the reel assembly.
- 2. Replacement requires 1/2" socket.
- 3. This reel is only used on the DT18C dethacher.

ITEM	PART NO.	DESCRIPTION
------	----------	-------------

4	540054050	Reel tine assy, complete w/o bearings
	540054056	Reel tine assy, complete w/ bearings
5	540054051	Shaft, tine reel
6	540000315	Bearing, 3/4 with locking collar
7	540005185	Stamping kit - includes flanges and hardware