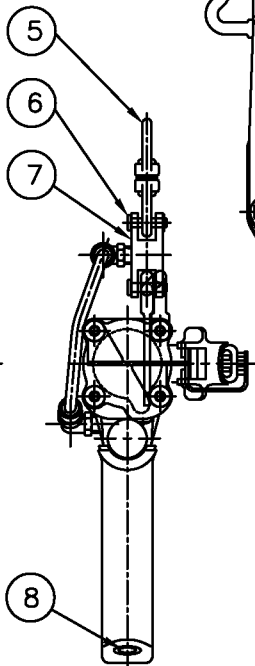
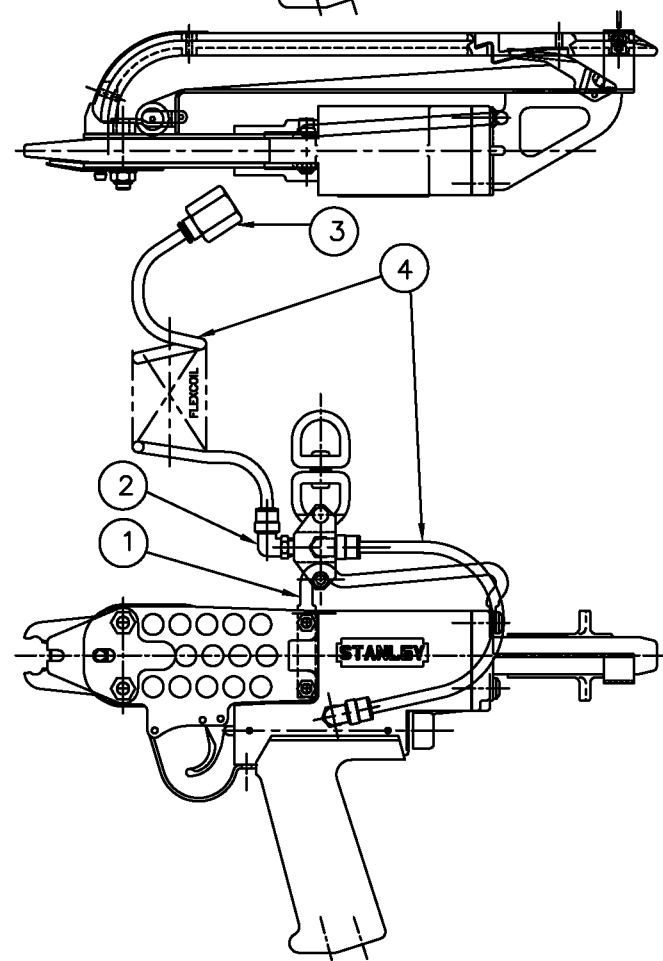
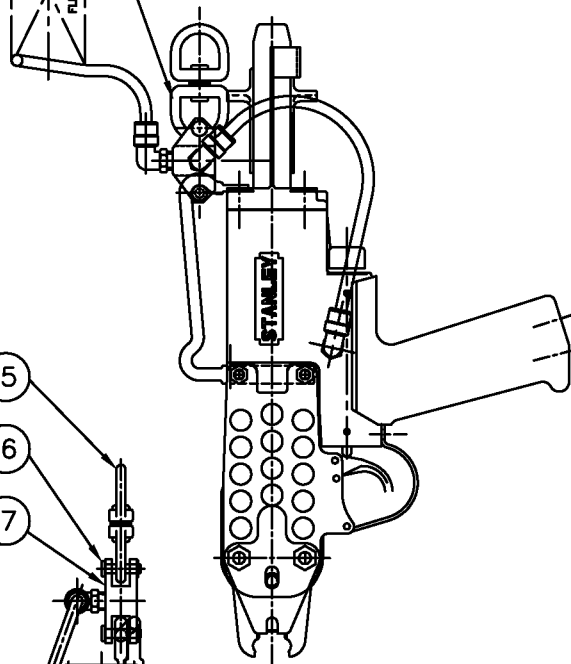


TO CHANGE MOUNTING POSITION OF TOOL, ROTATE MANIFOLD 90 DEGREES AND SLIDE MANIFOLD INTO NEW POSITION. ROTATE MANIFOLD BACK INTO POSITION.



Parts List for SCK014 Type 0

Item Number	Part Number	Description	Qty Required
1	B04718	BRACKET- MANIFOLD SC	1
2	1735	FITTING- WEATHERHEAD	3
3	1750	FITTING- PUSH ON TUB	1
4	1751	TUBING	1
5	64-2213	SWIVEL- DOUBLE ROUND	1
6	1736	CLEVIS PIN	2
7	B04033	MANIFOLD- SC TOOL	1
8	1124	PLUG	1
9	TL710220	SOCKET HEAD CAP SCRE	1