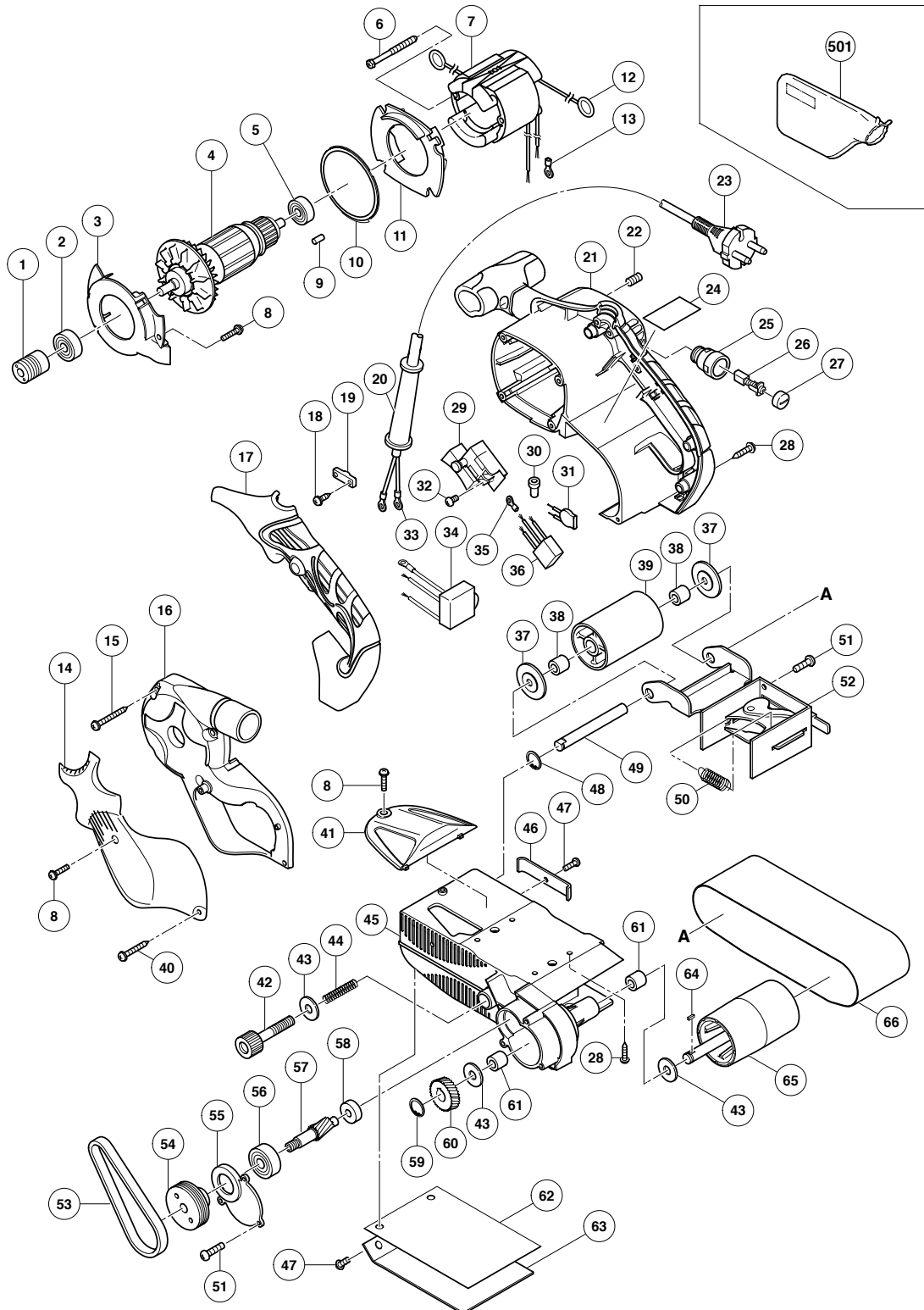


ELECTRIC TOOL PARTS LIST

■ **BELT SANDER**
Model SB 8V2

2007 · 3 · 26
(E1)



PARTS

SB 8V2

ITEM NO.	CODE NO.	DESCRIPTION	NO. USED	REMARKS
1	327-742	PULLEY (A)	1	
2	600-0VV	BALL BEARING 6000VVCMP2L	1	
3	327-739	DUST GUIDE	1	
* 4	360-797C	ARMATURE 110V	1	
* 4	360-797U	ARMATURE ASS'Y 120V	1	INCLUD. 2, 5
* 4	360-797E	ARMATURE 220V-230V	1	
* 4	360-797F	ARMATURE 240V	1	
5	608-VVM	BALL BEARING 608VVC2PS2L	1	
6	953-174	HEX. HD. TAPPING SCREW D5X55	2	
* 7	340-700C	STATOR ASS'Y 110V	1	INCLUD. 12
* 7	340-700J	STATOR ASS'Y 110V	1	INCLUD. 12 FOR TPE, GBR (110V)
* 7	340-700D	STATOR ASS'Y 120V	1	INCLUD. 12
* 7	340-700E	STATOR ASS'Y 220V-230V	1	INCLUD. 12
* 7	340-700G	STATOR ASS'Y 220V-230V	1	INCLUD. 12 FOR NZL, GBR (230V), EUROPE, NOR, SWE, DEN, AUT, CHN
* 7	340-700F	STATOR ASS'Y 240V	1	INCLUD. 12
* 7	340-700H	STATOR ASS'Y 240V	1	INCLUD. 12 FOR AUS
8	935-196	MACHINE SCREW (W/WASHERS) M4X12 (BLACK)	4	
9	931-701	BEARING LOCK	1	
10	328-209	DUST PLATE	1	
11	327-738	FAN GUIDE	1	
12	930-703	BRUSH TERMINAL	2	
* 13	980-063	TERMINAL	1	
* 13	980-063	TERMINAL	2	FOR NZL, AUS, GBR, EUROPE, FIN, NOR, SWE, DEN, AUT, CHN, TPE
14	327-743	BELT COVER	1	
15	316-321	TAPPING SCREW (W/FLANGE) D5X45	4	
16	327-740	DUST COVER	1	
17	327-760	HANDLE COVER	1	
18	984-750	TAPPING SCREW (W/FLANGE) D4X16	2	
19	937-631	CORD CLIP	1	
* 20	958-049	CORD ARMOR D8.2	1	
* 20	940-778	CORD ARMOR D10.7	1	
21	327-759	HOUSING ASS'Y	1	INCLUD. 22, 25
22	938-477	HEX. SOCKET SET SCREW M5X8	2	
* 23	500-234Z	CORD	1	(CORD ARMOR D8.2)
* 23	500-247Z	CORD	1	(CORD ARMOR D8.2) FOR FIN, NOR, SWE, DEN
* 23	500-432Z	CORD	1	(CORD ARMOR D8.2) FOR USA, CAN
* 23	500-447Z	CORD	1	(CORD ARMOR D8.2) FOR SYR
* 23	500-423Z	CORD	1	(CORD ARMOR D8.2) FOR SIN, KUW
* 23	500-439Z	CORD	1	(CORD ARMOR D8.2) FOR NZL, AUS
* 23	500-435Z	CORD	1	(CORD ARMOR D8.2) FOR GBR (230V)
* 23	500-237Z	CORD	1	(CORD ARMOR D8.2) FOR GBR (110V)
* 23	500-455Z	CORD	1	(CORD ARMOR D8.2) FOR CHN, VEN, THA
* 23	323-974	CORD	1	(CORD ARMOR D10.7) FOR TPE
24		NAME PLATE	1	
25	958-900	BRUSH HOLDER	2	
26	999-043	CARBON BRUSH (1 PAIR)	2	
27	945-161	BRUSH CAP	2	
28	305-812	TAPPING SCREW (W/FLANGE) D4X16 (BLACK)	7	
29	325-085	SWITCH (E) (1P SCREW TYPE) W/LOCK	1	

PARTS

SB 8V2

ITEM NO.	CODE NO.	DESCRIPTION	NO. USED	REMARKS	
	30	959-140	CONNECTOR 50091 (10 PCS.)	1	
*	31	328-432	VARIATOR	1	FOR GBR, EUROPE, FIN, NOR, SWE, DEN, AUT
	32	305-499	MACHINE SCREW (W/WASHER) M3.5X6	4	
	33	980-063	TERMINAL	2	
*	34	327-753	CONTROLLER 100V-110V	1	
*	34	327-757	CONTROLLER 120V	1	
*	34	327-758	CONTROLLER 220V-240V	1	
*	35	938-108	TERMINAL	1	FOR NZL, AUS, GBR, EUROPE, FIN, NOR, SWE, DEN, AUT, CHN, TPE
*	36	325-566	NOISE SUPPRESSOR	1	FOR NZL, AUS, GBR, EUROPE, FIN, NOR, SWE, DEN, AUT, CHN, TPE
	37	953-184	WASHER (B)	2	
	38	953-175	METAL D10X14X12	2	
	39	953-160	IDLE PULLEY ASS'Y	1	INCLUD. 38
	40	305-490	TAPPING SCREW (W/FLANGE) D4X30 (BLACK)	1	
	41	327-744	CLEAR COVER	1	
	42	319-258	ADJUSTING SCREW	1	
	43	948-213	WASHER (B) D19	3	
	44	953-071	SPRING	1	
	45	327-745	BODY ASS'Y	1	INCLUD. 58, 61
	46	327-746	STRIKING GUIDE	1	
	47	949-216	MACHINE SCREW M4X10 (10 PCS.)	3	
	48	939-540	RETAINING RING FOR D10 SHAFT (10 PCS.)	1	
	49	953-162	SHAFT (B)	1	
	50	953-163	SPRING	1	
	51	949-218	MACHINE SCREW M4X14 (10 PCS.)	5	
	52	327-756	BELT TENSIONER (A)	1	
	53	327-741	BELT	1	
	54	327-749	PULLEY (B)	1	
	55	327-748	GEAR COVER	1	
	56	620-0VV	BALL BEARING 6200VVCMP2L	1	
	57	327-750	PINION	1	
	58	935-522	METAL	1	
	59	939-540	RETAINING RING FOR D10 SHAFT (10 PCS.)	1	
	60	953-151	GEAR	1	
	61	953-175	METAL D10X14X12	2	
	62	327-752	SHOE CUSHION	1	
	63	327-751	SHOE PLATE	1	
	64	944-109	FEATHER KEY 3X3X8	1	
	65	327-747	DRIVE PULLEY	1	
*	66	939-731	SANDING BELTS 76X533 WA40 (10 PCS.)	1	FOR VEN, THA, INA, SYR, SIN, KUW, NZL, AUS, SAF, IND
*	66	939-732	SANDING BELTS 76X533 WA60 (10 PCS.)	1	FOR VEN, THA, INA, SYR, SIN, KUW, NZL, AUS, SAF, IND
	66	939-733	SANDING BELTS 76X533 WA80 (10 PCS.)	1	
*	66	939-734	SANDING BELTS 76X533 WA100 (10 PCS.)	1	FOR VEN, THA, INA, SYR, SIN, KUW, NZL, AUS, SAF, IND
*	66	939-735	SANDING BELTS 76X533 WA120 (10 PCS.)	1	FOR VEN, THA, INA, SYR, SIN, KUW, NZL, AUS, SAF, IND

