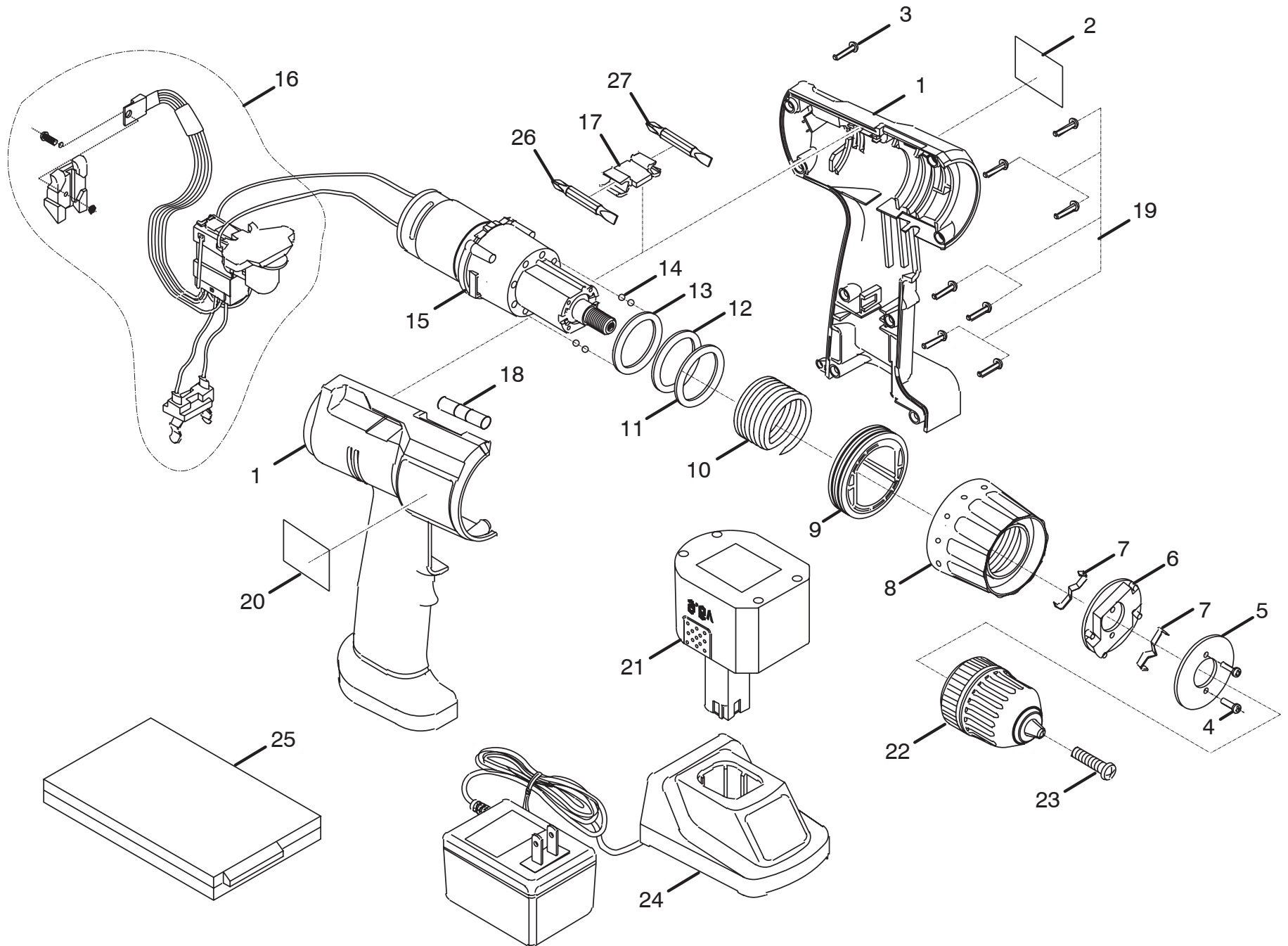


RYOBI 3/8 in. 9.6 VOLT CORDLESS DRILL – MODEL NO. SA960



**RYOBI 3/8 in. 9.6 VOLT CORDLESS DRILL – MODEL NO. SA960**

The model number will be found on a label attached to the motor housing. Always mention the model number in all correspondence regarding your **RYOBI CORDLESS DRILL** or when ordering repair parts.

**PARTS LIST**

| <b>KEY NO.</b> | <b>PART NUMBER</b> | <b>DESCRIPTION</b>         | <b>QTY.</b> | <b>KEY NO.</b> | <b>PART NUMBER</b> | <b>DESCRIPTION</b>                 | <b>QTY.</b> |
|----------------|--------------------|----------------------------|-------------|----------------|--------------------|------------------------------------|-------------|
| 1              | 200108016          | HOUSING ASSEMBLY .....     | 1           | 17             | 5260411            | BIT CLIP .....                     | 1           |
| 2              | 940252058          | DATA PLATE .....           | 1           | 18             | 3000907            | TOP LEVEL .....                    | 1           |
| 3              | 6620614            | SCREW (M3.5 X 14 mm) ..... | 1           | 19             | 660206042          | SCREW (M3.5 X 16 mm) .....         | 7           |
| 4              | 6620311            | SCREW (M3 X 20 mm) .....   | 2           | 20             | 940185026          | LOGO PLATE .....                   | 1           |
| 5              | 6387101            | MOUNTING PLATE .....       | 1           | 21             | 1311146            | BATTERY PACK .....                 | 1           |
| 6              | 5553201            | SPRING HOLDER .....        | 1           | 22             | 690032002          | CHUCK .....                        | 1           |
| 7              | 6399201            | DETENT CLIP .....          | 2           | 23             | 660120002          | SCREW (M5 X .8 X 26 mm LH) .....   | 1           |
| 8              | 511325001          | CLUTCH CAP .....           | 1           | 24             | 1411140            | CHARGER .....                      | 1           |
| 9              | 5501402            | SLEEVE .....               | 1           | 25             | 511540001          | BIT BOX .....                      | 1           |
| 10             | 6894301            | SPRING .....               | 1           | 26             | 6782045            | BIT .....                          | 1           |
| 11             | 6901103            | WASHER .....               | 1           | 27             | 6782044            | BIT .....                          | 1           |
| 12             | 6901102            | WASHER .....               | 1           | 28             | 300730092          | CARRYING CASE (NOT SHOWN) .....    | 1           |
| 13             | 670105001          | CLUTCH WASHER .....        | 1           | 29             | 120028103          | 28 PIECE BIT SET (NOT SHOWN) ..... | 1           |
| 14             | 670220001          | BALL .....                 | 16          |                | 983000333          | OPERATOR'S MANUAL                  |             |
| 15             | 985113001          | MOTOR ASSEMBLY .....       | 1           |                | 3-16-10            |                                    |             |
| 16             | 270016069          | SWITCH ASSEMBLY .....      | 1           |                | (REV:01)           |                                    |             |