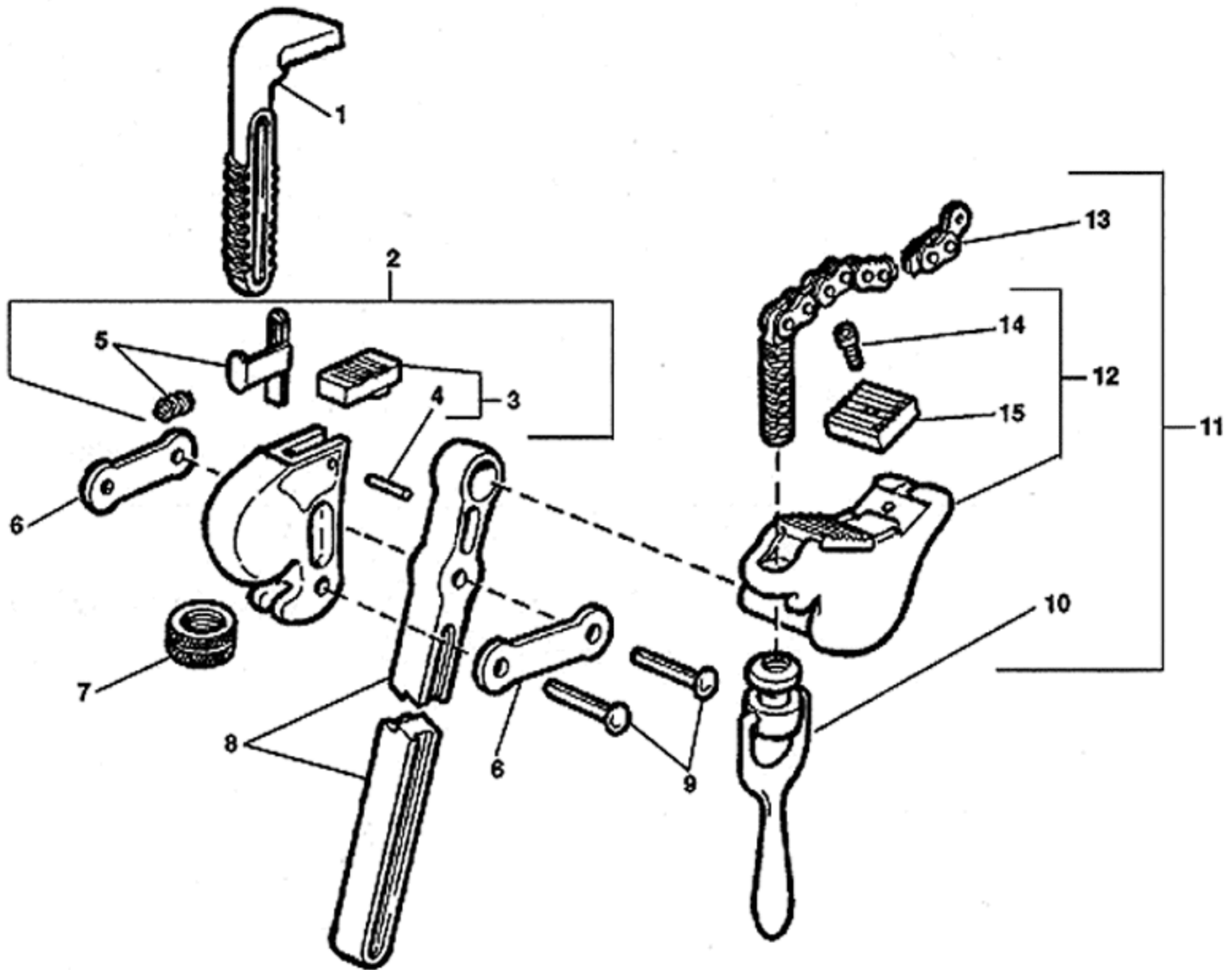


Ridgid S8A Compound Leverage Wrench Capacity: 8"



Key No.	Part Number	Details
1	31770	JAW, HOOK 60 WRENCH
2	32300	<i>not available online</i>
3	31775	JAW, HEEL W/PIN 60 WRENCH
4	31790	PIN, HEEL JAW 60 WRENCH
5	31780	SET OF SPRINGS COIL & FLA
6	32260	BAR, SIDE S6A/S8A
7	31785	NUT, 60 WRENCH
8	32250	HANDLE, WRENCH S6A/S8A
9	32220	RIVET, SIDE BAR S6A/8A WR
10	40810	NUT, W/HANDLE ASM
11	32280	TRUNNION, S8A WRENCH
12	32285	TRUNNION, W/JAW S8A
13	40800	CHAIN, W/SCREW S8A
14	32270	SCREW, 5/16-18 X 3/4 SHC
15	32295	SET OF TRUNNION JAWS S8A