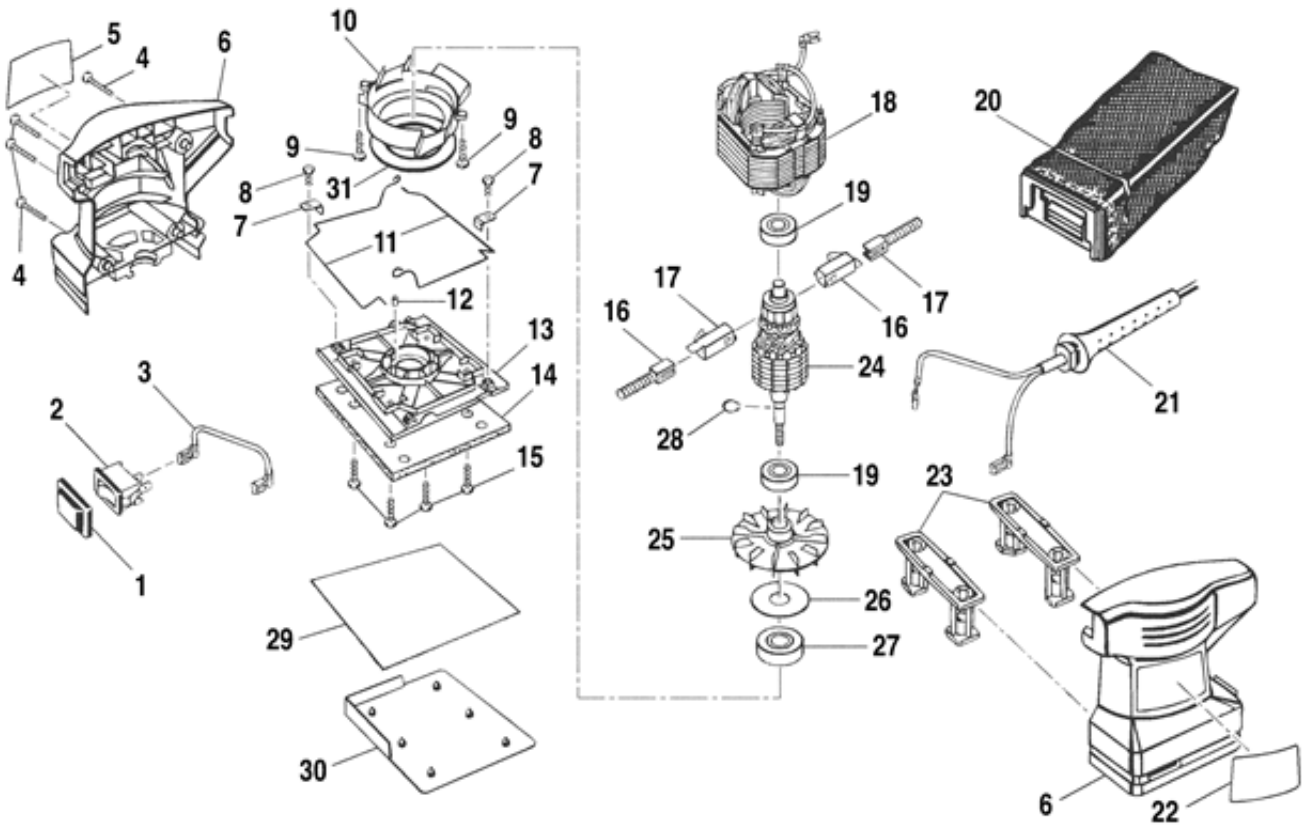


RYOBI SANDER — MODEL NUMBER S605D



WARNING: IMPROPER REPAIR OF A DOUBLE INSULATED TOOL CAN RESULT IN DAMAGES TO THE DOUBLE INSULATION SYSTEM POSSIBLY CAUSING ELECTRICAL SHOCK OR ELECTROCUTION. ANY REPAIRS REQUIRING DISASSEMBLY OF YOUR TOOL REQUIRES SAFETY TESTING AND SHOULD ONLY BE PERFORMED BY A RYOBI AUTHORIZED SERVICE CENTER OR OTHER QUALIFIED SERVICE ORGANIZATION. FOR THE REPAIR CENTER NEAREST YOU CALL 1-800-323-4615.

Ref #	Part #	Description	Qty	Context Note	Foot Note
1	971443-002	SWITCH COVER	1		
2	968303-023	SWITCH	1		
3	971785-004	RED LEAD	1		
4	968700-011	SCREW	6		
5	662340-013	DATA PLATE	1		
6	662636-011	HOUSING ASSEMBLY	1		
7	031500-300	CLAMP	2		
8	968700-004	SCREW	2		
9	968700-007	SCREW	2		
10	662316-001	FAN BAFFLE	1		
11	662318-001	WIRE CLAMP	2		
12	623019-004	RUBBER PLUG	1		
13	662315-003	PLATEN	1		
14	662317-001	CUSHION	1		
15	999306-009	SCREW	4		
16	968304-059	BRUSH ASSEMBLY	2		
17	612255-002	BRUSH TUBE	2		
18	968307-092	FIELD	1		
19	968305-030	BALL BEARING	2		
20	663153-001	DUST TRAP ADAPTER	1		
21	969533-002	FILTERFLO DUST TRAP	1		
22	967917-001	CORD CLAMP	1		
23	662778-001	CORD	1		
24	662341-013	LOGO PLATE	1		
25	063603-331	CUSHION POST	2		
26	968306-093	ARMATURE	1	(INCLUDES KEY NOS. 19 AND 30)	
27	662637-001	FAN WITH BEARING	1	(INCLUDES KEY NOS. 28 AND 29)	
28	662314-001	FLANGED WASHER	1		
29	968305-029	BALL BEARING	1		
30	622167-014	RETAINING RING	1		
31		SANDPAPER		Standard Hardware Item - (Purchase locally)	
32	662447-001	PAPER PUNCH	1		
33	662870-001	DUST SHIELD	1		
	612547-952	OWNER'S MANUAL 1-97			