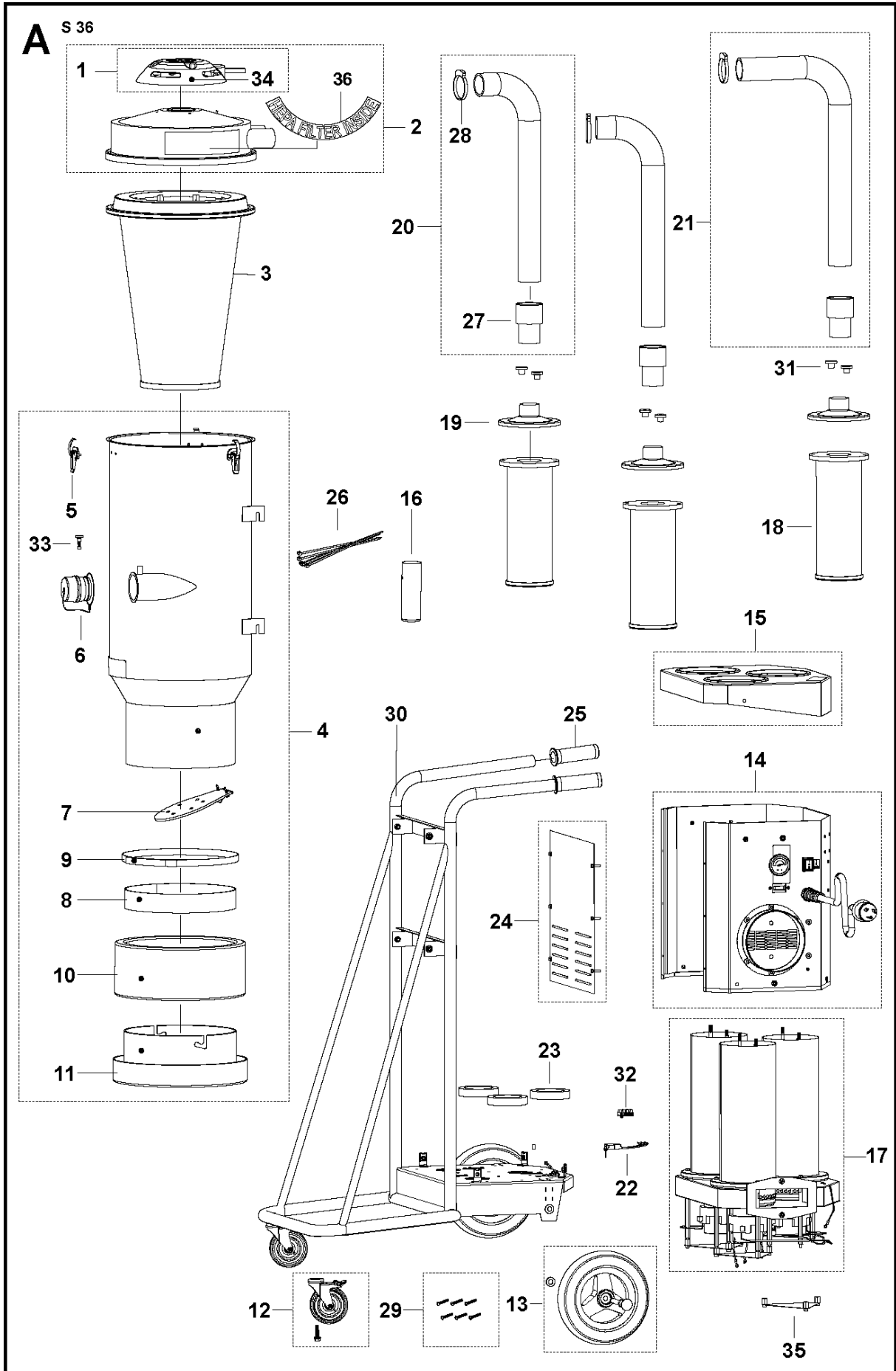




# SPARE PARTS LIST

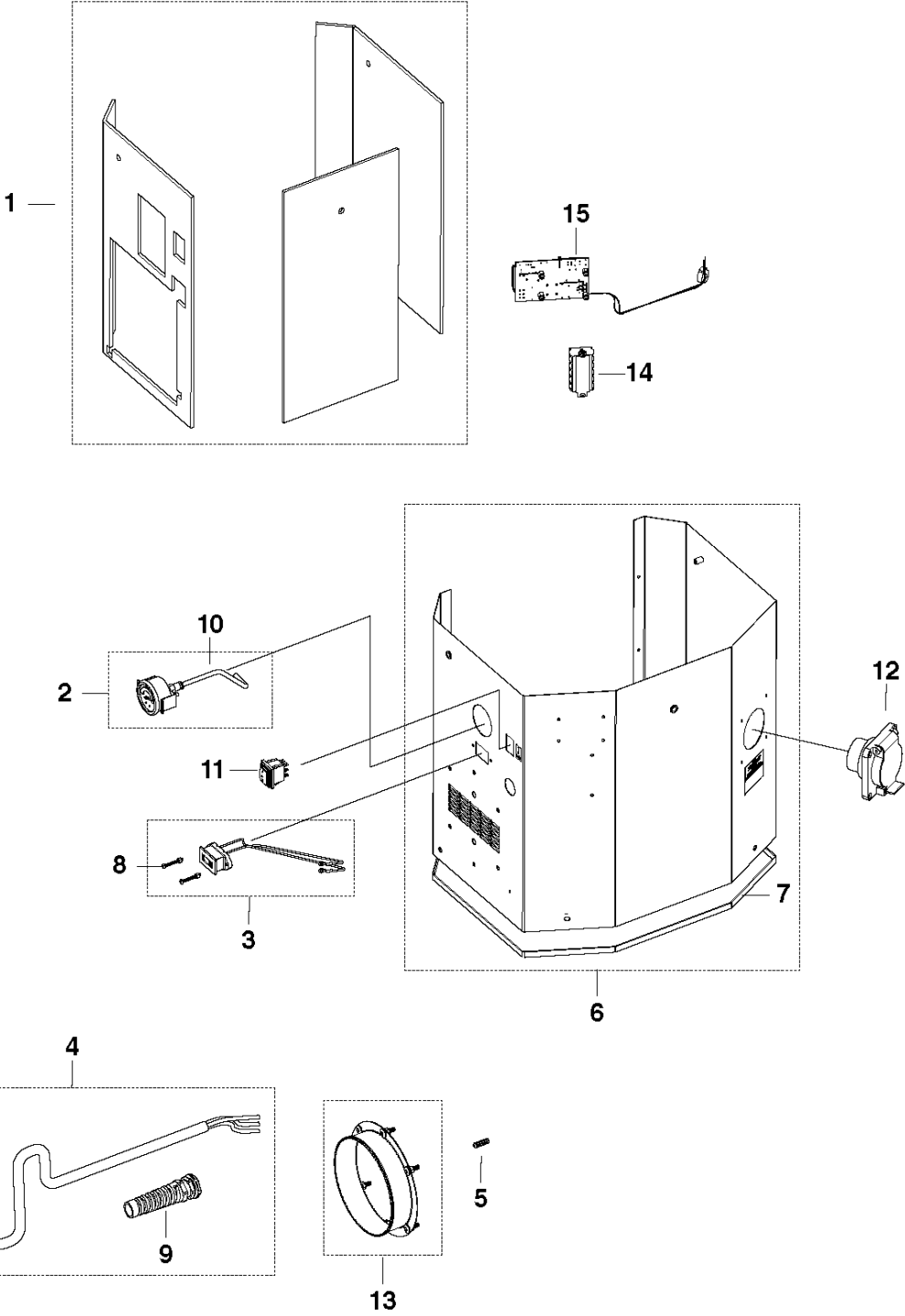
DUST AND SLURRY MANAGEMENT

S36, 2017-05



Ref	Part No	Description	Remark	QTY	KIT
1	590 41 50-01	VALVE		1	
2	590 47 86-01	TANK CAP ASSY		1	
3	590 44 85-01	FILTER		1	
4	590 47 85-02	TANK		1	
5	590 39 64-01	HOLDER KIT		3	
6	590 42 67-01	LID		1	
7	590 39 86-01	FLAP		1	
8	590 40 23-01	SEAL		1	
9	590 40 18-01	STRAP		1	
10	590 42 61-01	BAG		1	
11	590 42 69-01	HOLDER		1	
12	590 39 72-01	WHEEL KIT		1	
13	590 39 70-01	REAR WHEEL		1	
14	590 47 88-02	MOTOR COVER	230 30A	1	
14	590 44 97-02	MOTOR COVER	120V	1	
14	590 47 87-02	MOTOR COVER	230 50A	1	
15	590 44 87-01	COVER LID		1	
16	590 42 64-01	HOLDER		1	
17	590 45 07-01	MOTOR KIT	230V	1	
17	590 45 14-01	FILTER HOUSING	120V	1	
18	590 42 98-01	FILTER		3	
19	590 39 89-01	FILTER COVER		3	
20	590 44 88-01	HOSE KIT		2	
21	590 44 89-01	HOSE KIT		1	
22	590 42 62-01	ELECTRIC BOX		1	
23	590 45 03-01	INSULATION		3	
24	590 44 90-01	COVER PLATE		1	
25	590 44 91-01	GRIP		1	
26	590 42 60-01	CLIP		1	
27	590 41 54-01	HOSE		3	
28	590 40 08-01	HOSE CLAMP		3	
29	590 44 92-01	SCREW KIT		1	
30	590 44 94-01	FRAME		1	
31	590 40 07-01	NUT		6	
32	590 44 95-01	CONNECTION PIECE		1	
33	590 40 16-01	LOCKING PIN		1	
34	590 39 96-01	COVER KIT		1	
35	590 47 68-01	COVER LID		3	
36	591 97 60-01	DECAL		1	2

**B** S 36

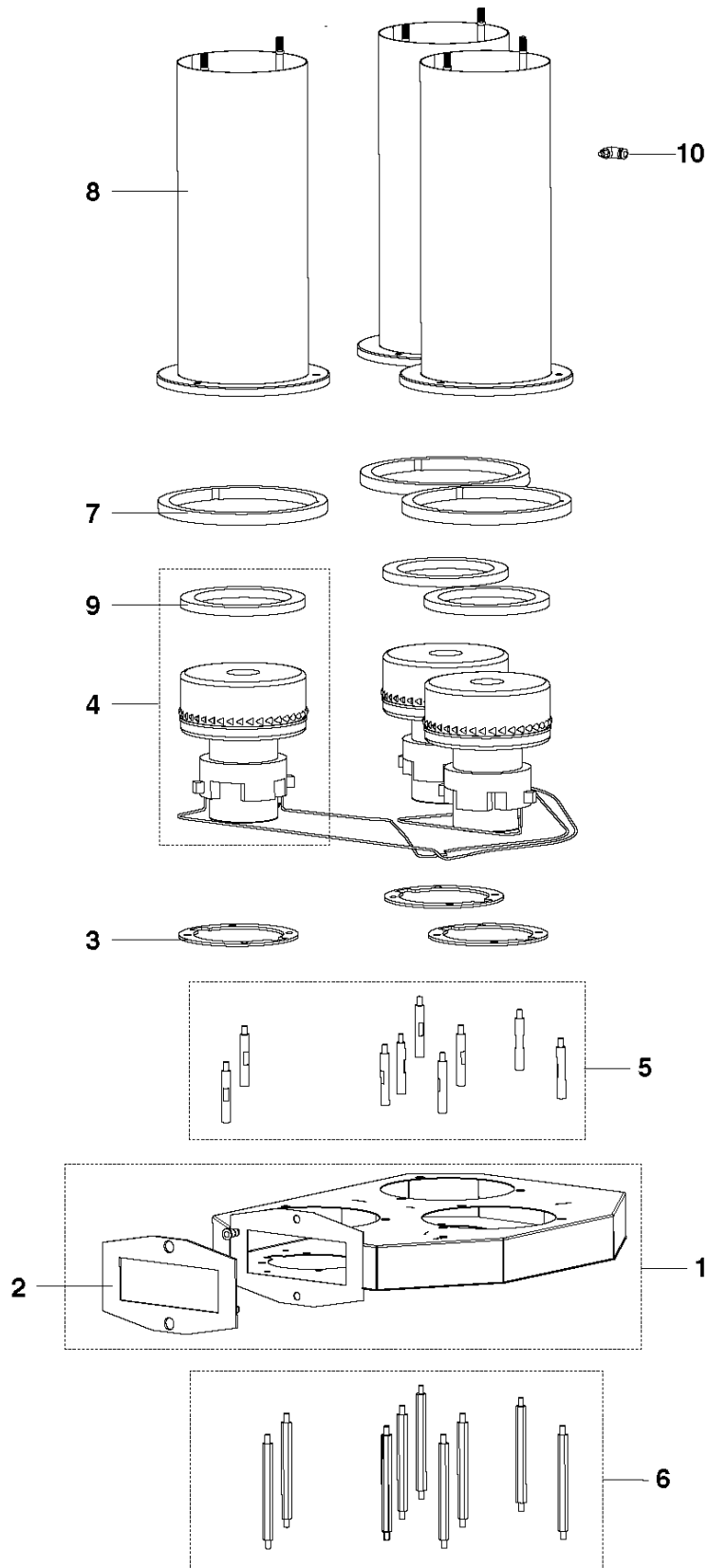


## MOTOR HOUSING

S36, 2017-05

Ref	Part No	Description	Remark	QTY KIT
1	590 45 21-01	SEALING		1
1	590 45 06-01	SEALING	230V 50A	1
2	590 39 67-01	MANOMETER		1
3	590 41 53-01	HOUR METER		1
4	590 45 01-01	CABLE ASSY	230V 30A	1
4	590 42 73-01	CORD	120V	1
4	590 45 02-01	CABLE ASSY	230V 50A	1
5	590 44 96-01	SCREW KIT		1
6	590 45 20-01	MOTOR COVER	230V 30A	1
6	590 45 21-01	SEALING	120V	1
6	590 44 97-02	MOTOR COVER	230 50A	1
7	590 45 04-01	SEALING		1
8	590 44 98-01	SCREW KIT		1
9	590 45 18-01	GROMMET	230V 30A	1
9	590 40 25-01	CABLE GROMMET	120V, 230 50A	1
10	590 45 05-01	HOSE KIT		1
11	590 40 30-01	SWITCH	230V 30A	1
11	590 40 26-01	SWITCH	120V, 230 50A	1
12	590 44 99-01	ELECTRICAL SYSTEM		1
13	590 44 93-01	EXHAUST DUCT		1
14	590 45 16-01	TERMINAL		1
15	590 45 17-01	CIRCUIT BOARD		1

**C** S 36



MOTOR

S36, 2017-05

Ref	Part No	Description	Remark	QTY KIT
1	590 45 09-01	BOX		1
2	590 45 10-01	SEALING		1
3	590 45 11-01	SEAL KIT		1
4	590 39 69-01	MOTOR KIT	230V	3
5	590 45 12-01	SUPPORT KIT		1
6	590 45 13-01	SUPPORT KIT		1
7	590 45 08-01	SEALING		1
8	590 45 14-01	FILTER HOUSING		3
9	590 45 15-01	SEAL KIT		1
10	590 44 86-01	NIPPLE		1