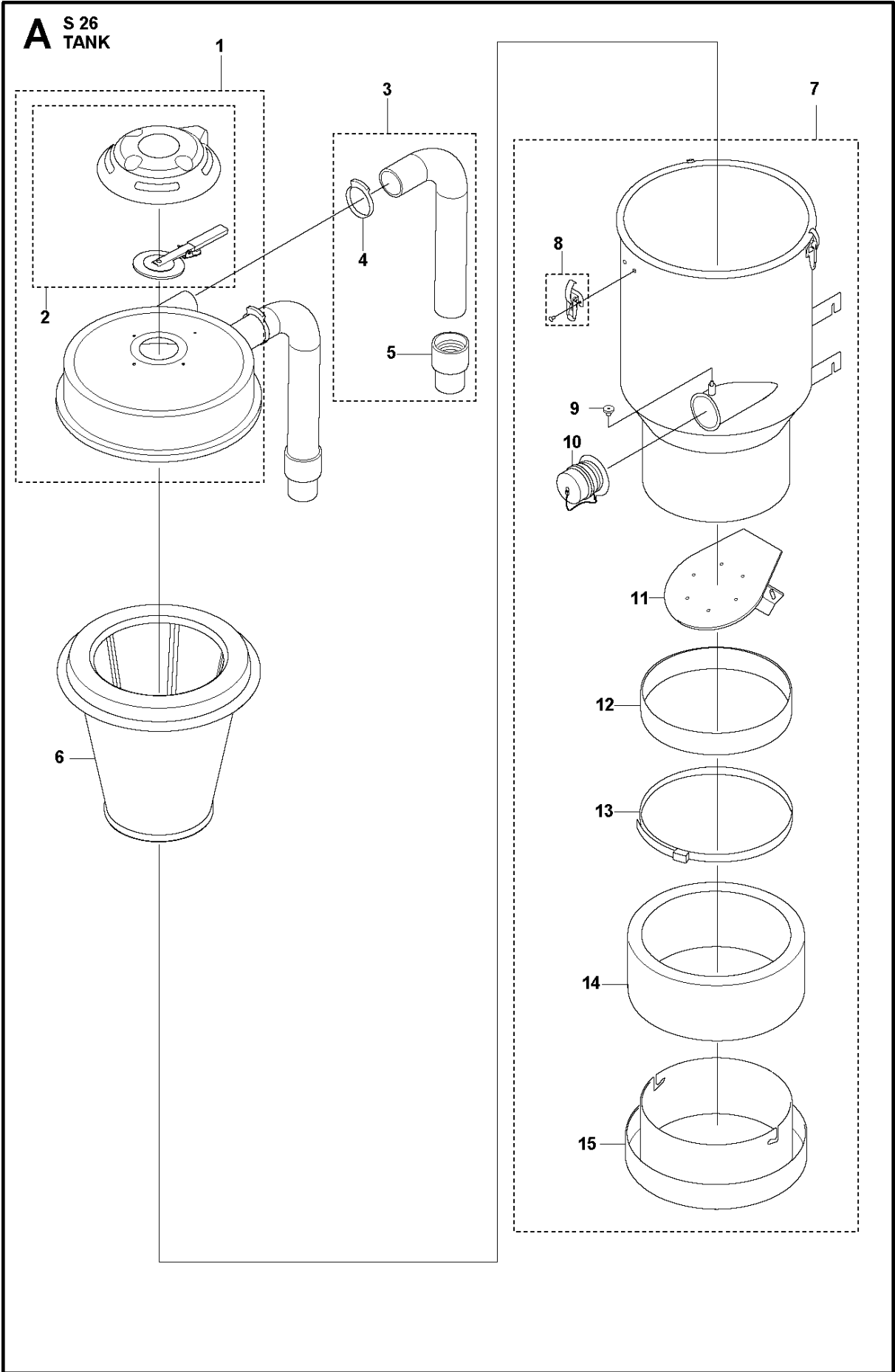




SPARE PARTS LIST

DUST AND SLURRY MANAGEMENT

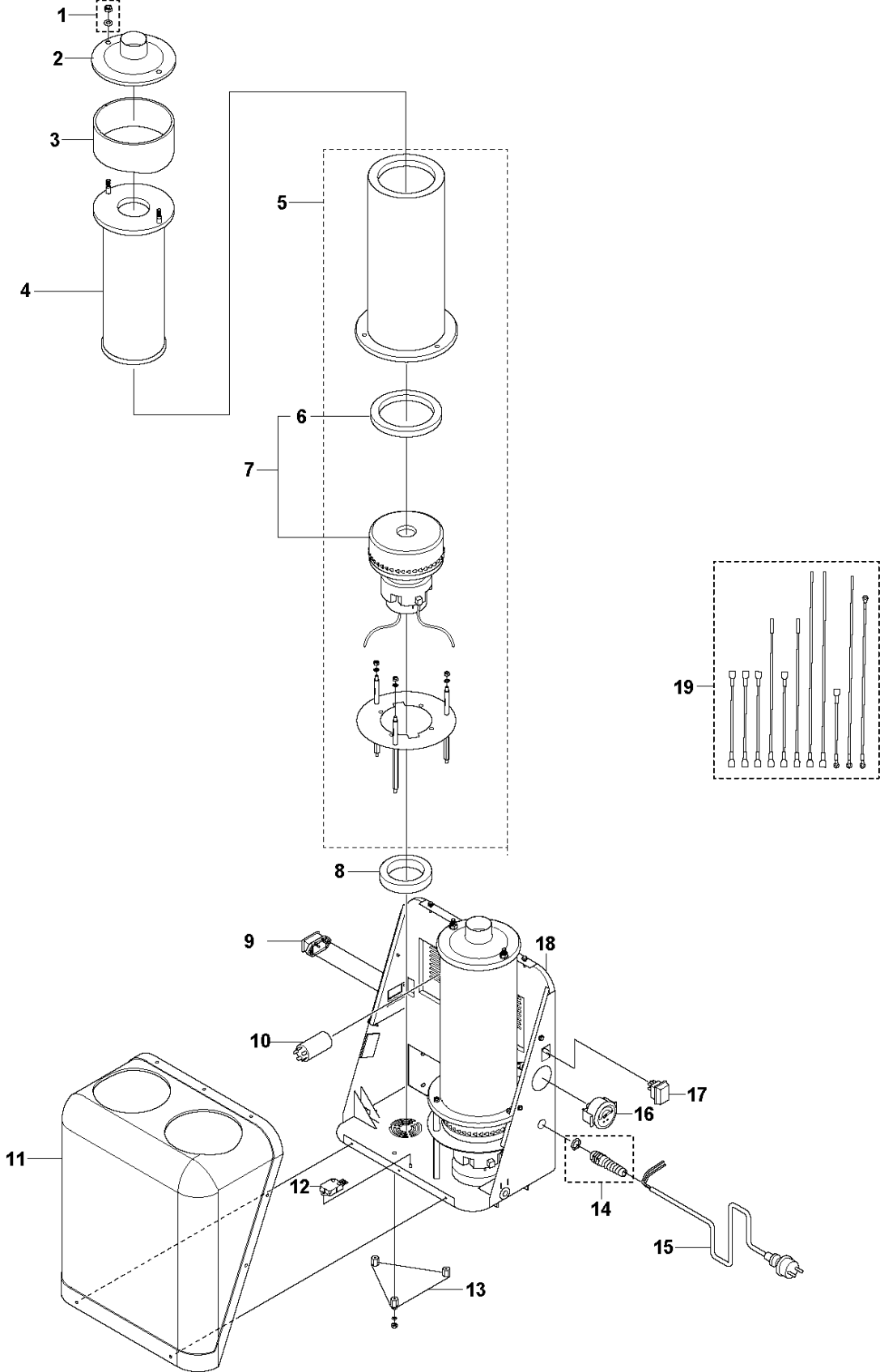
S26, 967663901, 967663902, 967663903,
967663904, 967663905, 967663906,
967663907, 2019-06



TANK S26, 967663901, 967663902, 967663903, 967663904, 967663905, 967663906, 967663907,
2019-06

Ref	Part No	Description	Remark	QTY	KIT
1	590 47 77-02	TANK CAP ASSY		1	
2	590 41 50-02	VALVE		1	1
3	590 42 66-01	HOSE KIT		2	
4	590 40 08-01	HOSE CLAMP		1	3
5	590 43 81-01	HOSE		1	3
6	590 43 02-01	FILTER		1	
7	590 47 74-02	TANK		1	
8	590 39 64-01	HOLDER KIT		3	7
9	590 40 16-01	LOCKING PIN		1	7
10	590 42 67-01	LID		1	7
11	590 39 86-01	FLAP		1	7
12	590 40 23-01	SEAL		1	7
13	590 40 18-01	STRAP		1	7
14	590 42 92-01	DUST BAG		1	7
15	590 42 69-01	HOLDER		1	7

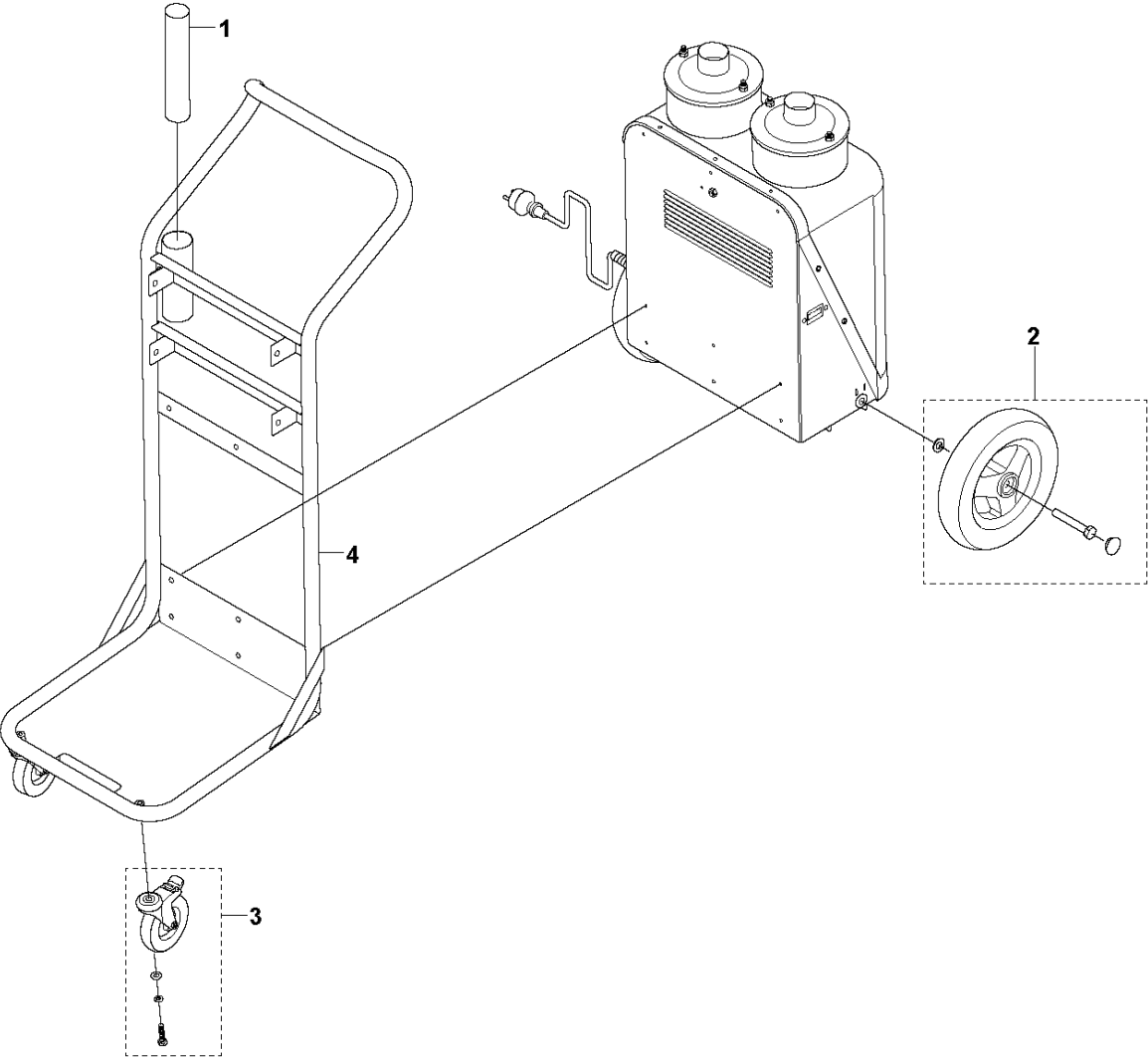
B S 26
MOTOR



MOTOR S26, 967663901, 967663902, 967663903, 967663904, 967663905, 967663906, 967663907,
2019-06

Ref	Part No	Description	Remark	QTY	KIT
1	590 40 07-01	NUT		4	
2	590 39 89-01	FILTER COVER		2	
3	590 40 04-01	SEALING COLLAR		2	
4	590 42 98-01	FILTER		2	
5	590 42 70-01	MOTOR	230 V	1	
5	590 41 55-01	MOTOR	230 V, Incl nipple	1	
5	590 42 71-01	MOTOR	120 V	1	
5	590 41 57-01	MOTOR	120 V, Incl nipple	1	
6	591 90 09-01	PACKING		2	5
7	590 39 69-01	MOTOR KIT	230 V	2	5
7	591 92 18-01	MOTOR	120 V	2	5
8	591 85 86-01	PACKING		2	
9	590 41 53-01	HOUR METER		1	
10	591 79 43-01	FILTER	ROW	1	
11	590 47 73-02	MOTOR COVER		1	
12	590 42 62-01	ELECTRIC BOX	230 V	1	
12	590 42 63-01	ELECTRIC BOX	US, UK	1	
13	590 47 68-01	COVER LID		2	
14	590 40 25-01	CABLE GROMMET	230 V	1	
14	590 39 95-01	CABLE GROMMET	120 V	1	
15	593 71 74-03	POWER CORD	EU	1	
15	593 71 74-02	POWER CORD	AUS	1	
15	593 71 74-08	POWER CORD	US	1	
15	593 71 74-04	POWER CORD	UK	1	
15	593 71 74-10	POWER CORD	BR	1	
15	593 71 74-16	POWER CORD	JP	1	
16	590 39 67-01	MANOMETER		1	
17	590 40 26-01	SWITCH		1	
18	590 47 82-01	CHASSIS		1	
19	596 96 42-01	DIAGRAM	230 V	1	
19	596 96 42-02	DIAGRAM	US, JP	1	

C S 26
FRAME



FRAME S26, 967663901, 967663902, 967663903, 967663904, 967663905, 967663906, 967663907, 2019-06

Ref	Part No	Description	Remark	QTY KIT
1	590 42 60-01	CLIP		1
2	590 39 70-01	REAR WHEEL		2
3	590 39 72-01	WHEEL KIT		2
4	590 42 68-01	FRAME		1

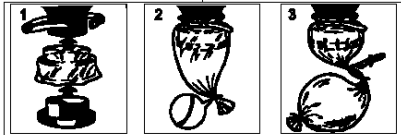
D S 26
DECAL

1

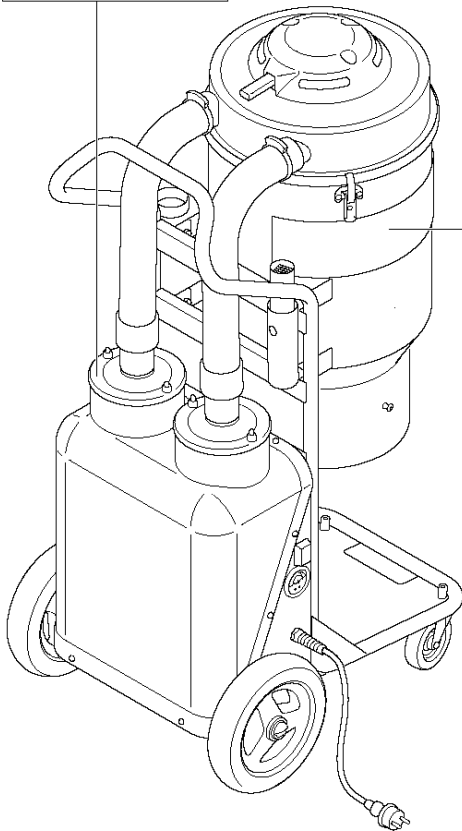
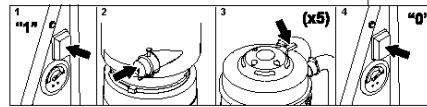
REMOVE FOR CLEANING

Husqvarna

S 26



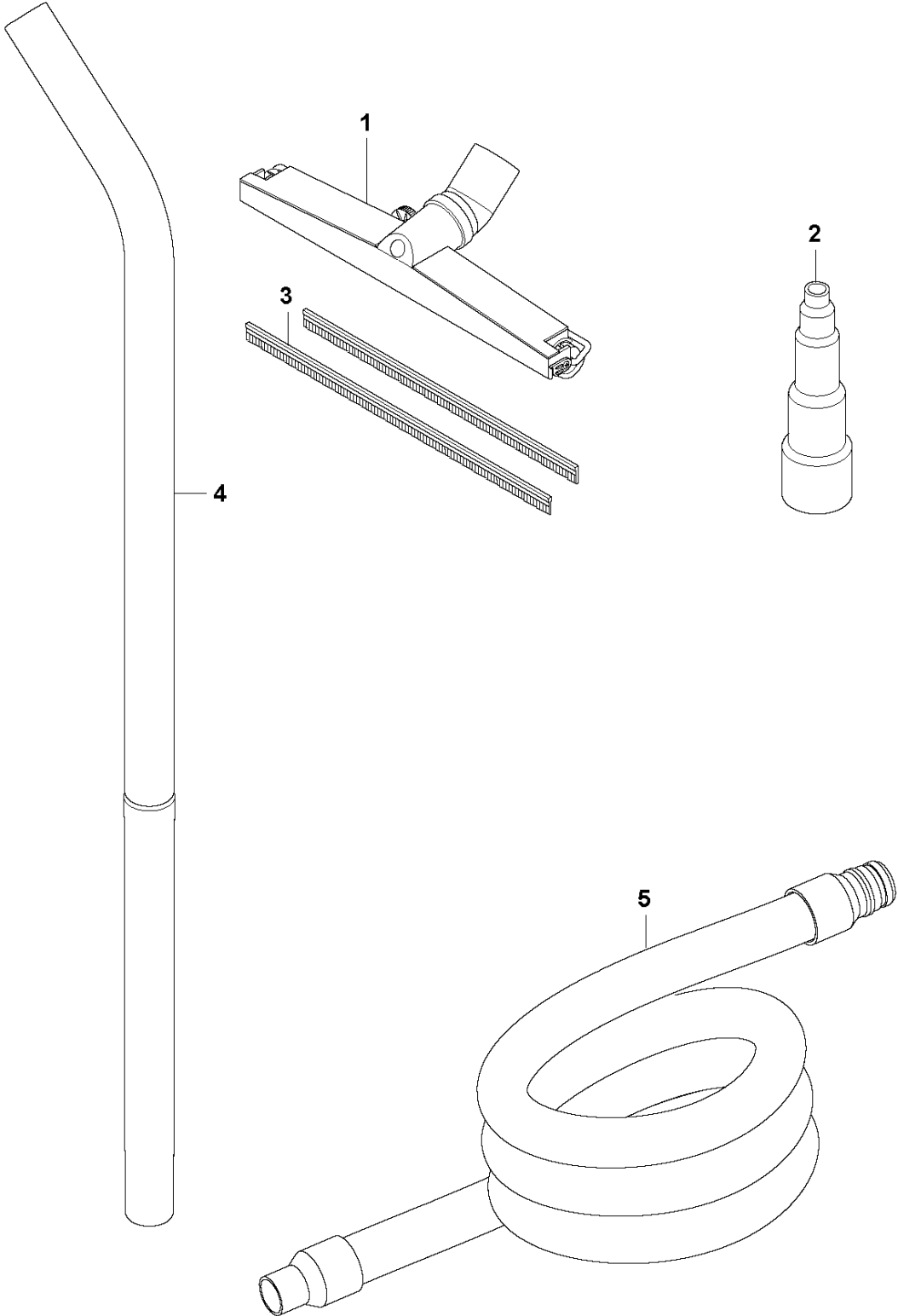
HEPA FILTER INSIDE



DECALS S26, 967663901, 967663902, 967663903, 967663904, 967663905, 967663906, 967663907,
2019-06

Ref	Part No	Description	Remark	QTY KIT
1	597 74 12-02	DECAL KIT		1

E S 26
ACCESSORIES



ACCESSORIES S26, 967663901, 967663902, 967663903, 967663904, 967663905, 967663906, 967663907, 2019-06

Ref	Part No	Description	Remark	QTY KIT
1	590 42 83-02	TOOL		1
2	594 95 68-01	ADAPTER		1
3	590 42 85-03	TOOL		1
4	590 82 94-01	TOOL		1
5	590 43 73-01	HOSE		1