

RYOBI
Digital Inverter Generator
Manufacturing No. 090930355
Item No. RYi2000GRA
Replacement Parts List

TECHTRONIC INDUSTRIES POWER EQUIPMENT, INC.

P.O. Box 1288, Anderson, SC 29625

Phone 1-800-860-4050

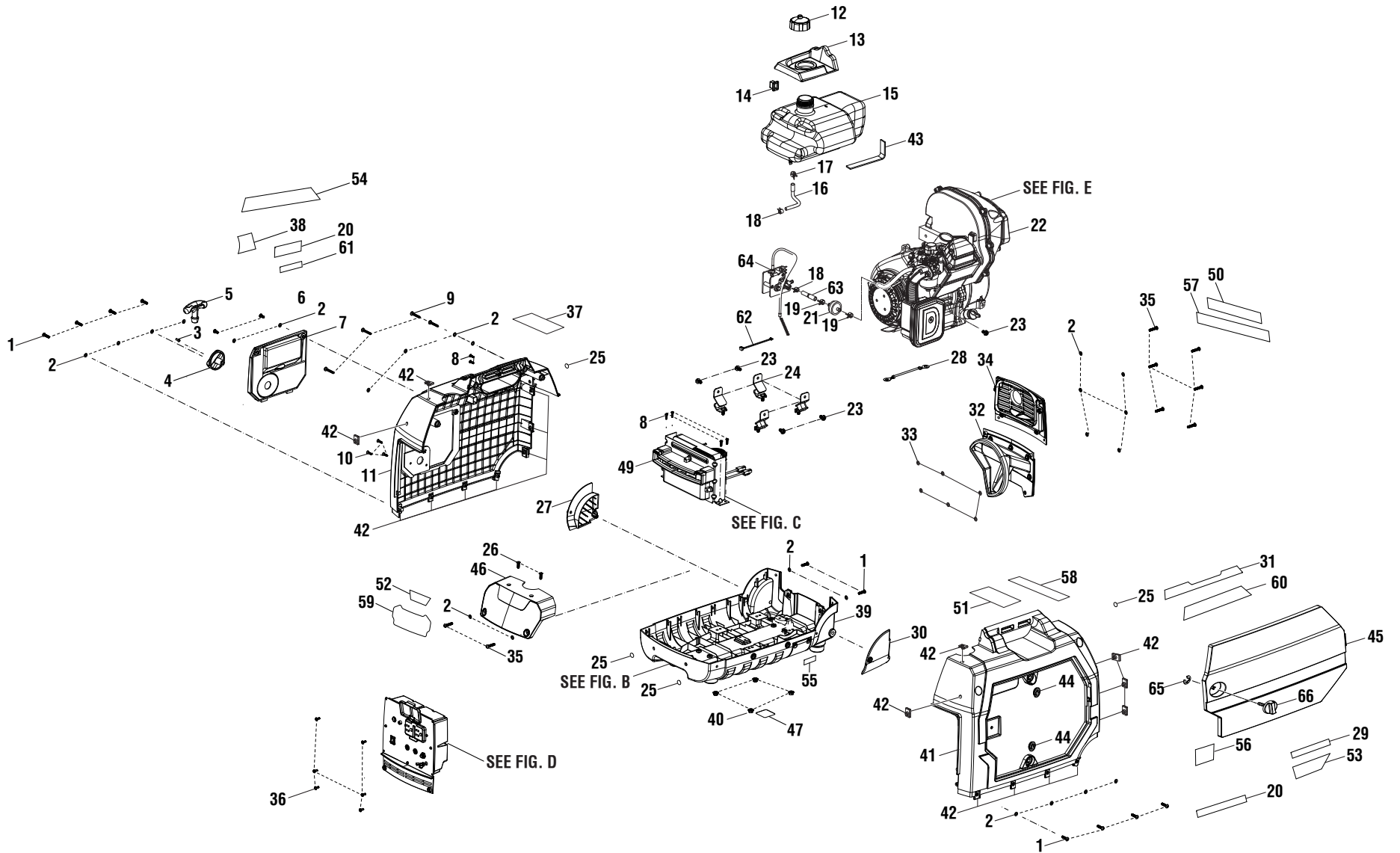
www.ryobitools.com

995000662

7-30-19 (Rev:01)

DIGITAL INVERTER GENERATOR – ITEM NUMBER RYi2000GRA

Figure A



DIGITAL INVERTER GENERATOR – ITEM NUMBER RYi2000GRA

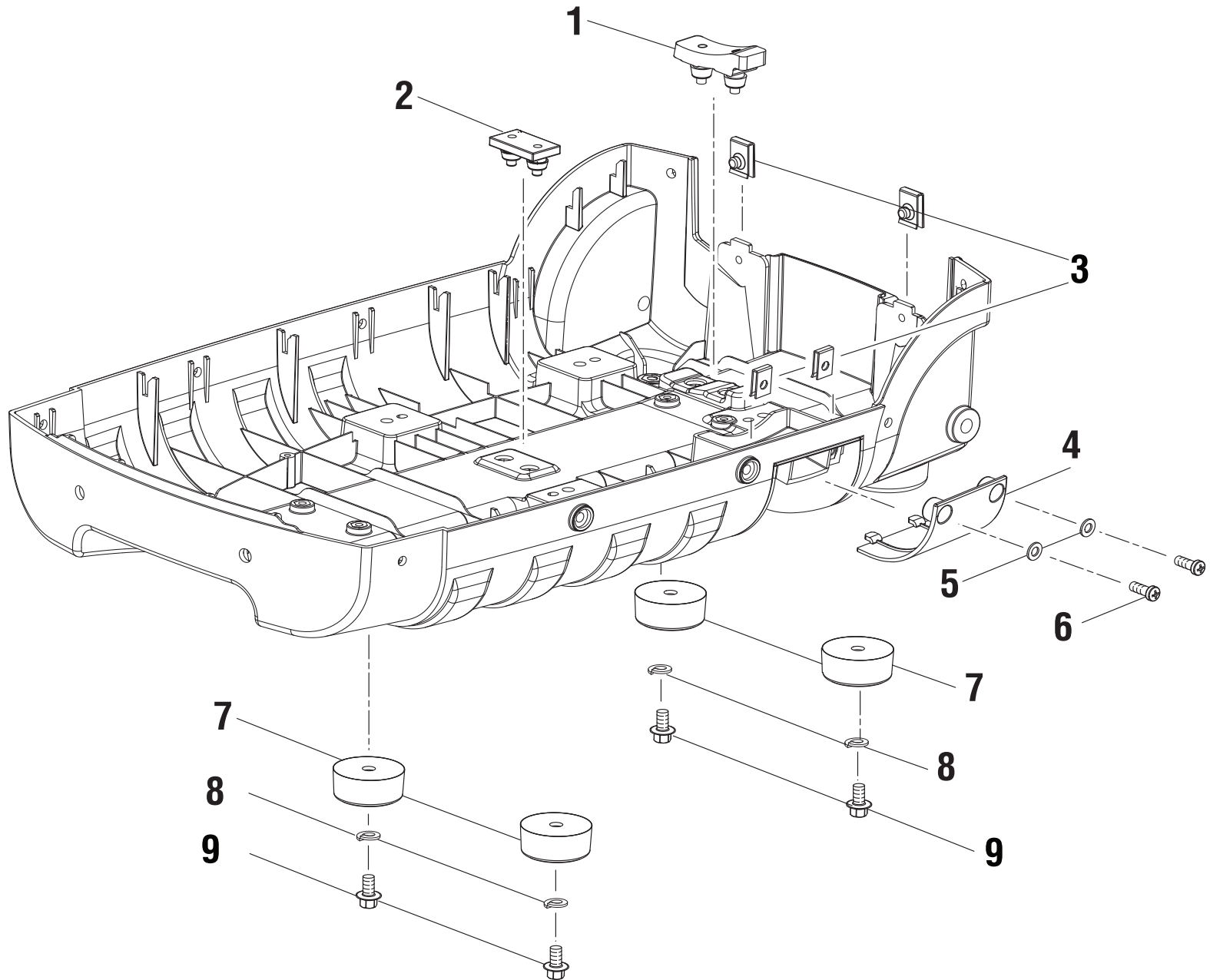
The model number will be found on a label attached to the back cover. Always mention the model number in all correspondence regarding your **DIGITAL INVERTER GENERATOR** or when ordering parts.

PARTS LIST – FIGURE A

KEY PART NO. NUMBER	DESCRIPTION	QTY	KEY PART NO. NUMBER	DESCRIPTION	QTY	KEY PART NO. NUMBER	DESCRIPTION	QTY
1	660764010 Screw (M5 x 20 mm, Button Soc. Hd.).....	10	24	679940011 Engine Isolator (45 Degree).....	4	46	525297013 Front Housing Cover	1
2	638128014 Washer (M5.3)	24	25	940779252 Half Inch Black Round Label.....	4	47	941214001 Upright Storage Label	1
3	661346001 Screw (M4 x 10 mm)	1	26	660764012 Screw (M5 x 16 mm, Flat Hd.).....	2	48	Figure D Control Panel.....	1
4	525361008 Control Knob	1	27	525297015 Wheel Cap (Left).....	1	49	Figure C Inverter Module Assembly.....	1
5	524015004 Recoil Handle	1	28	290404012 Ground Wire	1	50	940947035 Combustion Label	1
6	660764007 Screw (M5 x 12 mm, Button Soc. Hd.)....	2	29	941486008 Inquiries Label	1	51	940515017 CPSC Label.....	1
7	525297005 Starter Cover Assembly	1	30	525297014 Wheel Cap (Right).....	1	52	940705434 Start Label (Hood)	1
8	660345015 Screw (M4 x 12 mm, T15 Torx Hd.).....	6	31	940974020 Fire Distance Label.....	1	53	940708028 Lubricant Label.....	1
9	660345018 Screw (M5 x 30 mm, T25 Torx Pan Hd.).....	4	32	524012018 Lower Exhaust Panel Assembly (Inc. Key No. 33)	1	54	940779247 Performance Label	1
10	661864012 Screw (M4 x 16 mm, Flat Hd.).....	3	33	638704006 Washer (5 mm)	6	55	940911003 Maintenance Label	1
11	524001021 Left Housing Assembly (Inc. Key No. 42).....	1	34	524012016 Upper Exhaust Panel Assembly (Inc. Key No. 35)	1	56	940782004 Fuel Stabilizer Label	1
12	519709007 Vented Fuel Cap.....	1	35	660764011 Screw (M5 x 25 mm, Button Soc. Hd.)....	8	57	940513036 Ground Warning Label (English/French).....	1
13	570818005 Overspill Guard.....	1	36	660345009 Screw w/Washer (M4 x 10 mm, T20 Torx Hd.).....	6	58	941209001 Exhaust Label.....	1
14	570356010 Fuel Tank Support	1	37	940654323 Danger Label	1	59	940705431 Logo Label.....	1
15	310711196 Fuel System Assembly (Inc. Key Nos. 14 and 16-18).....	1	38	940647139 Choke Label	1	60	940779246 Performance Label (Maintenance Door)	1
16	570358170 Fuel Hose (6mm and 4.5 mm)	1	39	525529003 Bottom Base Assembly (Inc. Key Nos. 1-2, 27 & 30; See Figure B).....	1	61	940617178 Start Label	1
17	678815015 Clamp (10 mm).....	1	40	678774019 Lock Nut (M6).....	4	62	290514016 Engine Wire Harness.....	1
18	678409008 Fuel Hose Clamp (3/8 in.).....	2	41	524001020 Right Housing Assembly (Inc. Key No. 42)	1	63	570358171 Fuel Hose (4.5 mm and 6 mm)	1
19	678815010 Fuel Hose Clamp (9.5 mm).....	2	42	678900014 U-Clip (M5)	18	64	310437021 Engine Start/ Stop Mechanism Assembly	1
20	940705433 Easy Start Logo Label	2	43	560878004 Rubber Pad	1	65	638623008 Retaining Ring	1
21	308733008 Fuel Filter.....	1	44	570766011 Grommet	2	66	525361014 Lock Knob	1
22	NOTE A Engine (Ducar) (Figure E).....	1	45	523430013 Maintenance Cover Assembly (Inc. Key Nos. 65-66).....	1	Not Shown:		
23	660975004 Bolt (M6 x 12 mm, Hex Hd.).....	5				120694001	Accessory Kit	
						995000660	Operator's Manual	

NOTE A: Techtronic Industries Power Equipment will not provide complete engines as replacement parts. Engines are covered through the engine manufacturer's warranty. Consult the accompanying engine manual or contact our service department for assistance.

Figure B



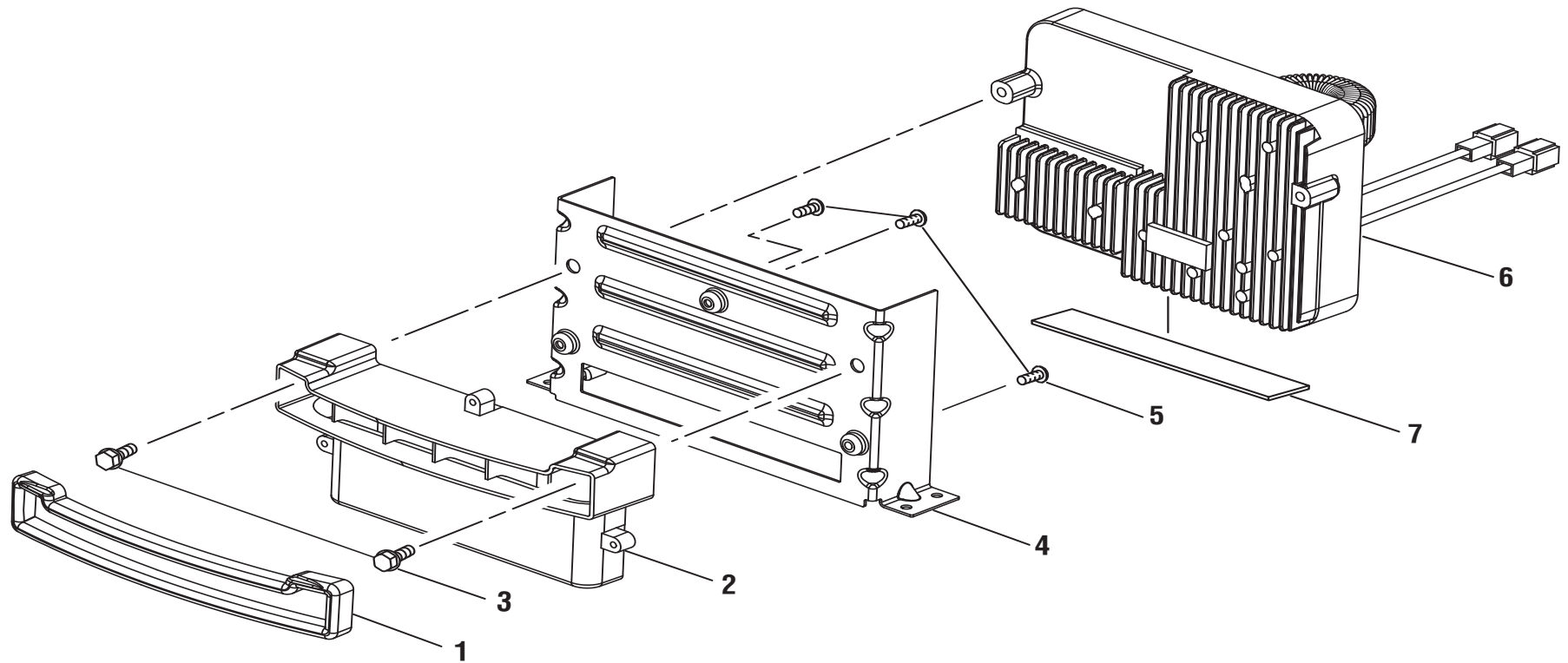
DIGITAL INVERTER GENERATOR – ITEM NUMBER RYi2000GRA

The model number will be found on a label attached to the back cover. Always mention the model number in all correspondence regarding your **DIGITAL INVERTER GENERATOR** or when ordering parts.

PARTS LIST – FIGURE B

KEY NO.	PART NUMBER	DESCRIPTION	QTY
1	570712008	Engine Support Isolator (Back)	1
2	570712007	Engine Support Isolator (Front)	1
3	678900014	U-Clip (M5)	4
4	519813034	Oil Drain Door	1
5	638128014	Washer (M5.3)	2
6	660342013	Screw (M5 x 12 mm, Pan Hd.)	2
7	561454006	Isolator Foot	4
8	678012001	Lock Washer	4
9	660975004	Bolt (M6 x 12 mm, Hex Hd.)	4

Figure C



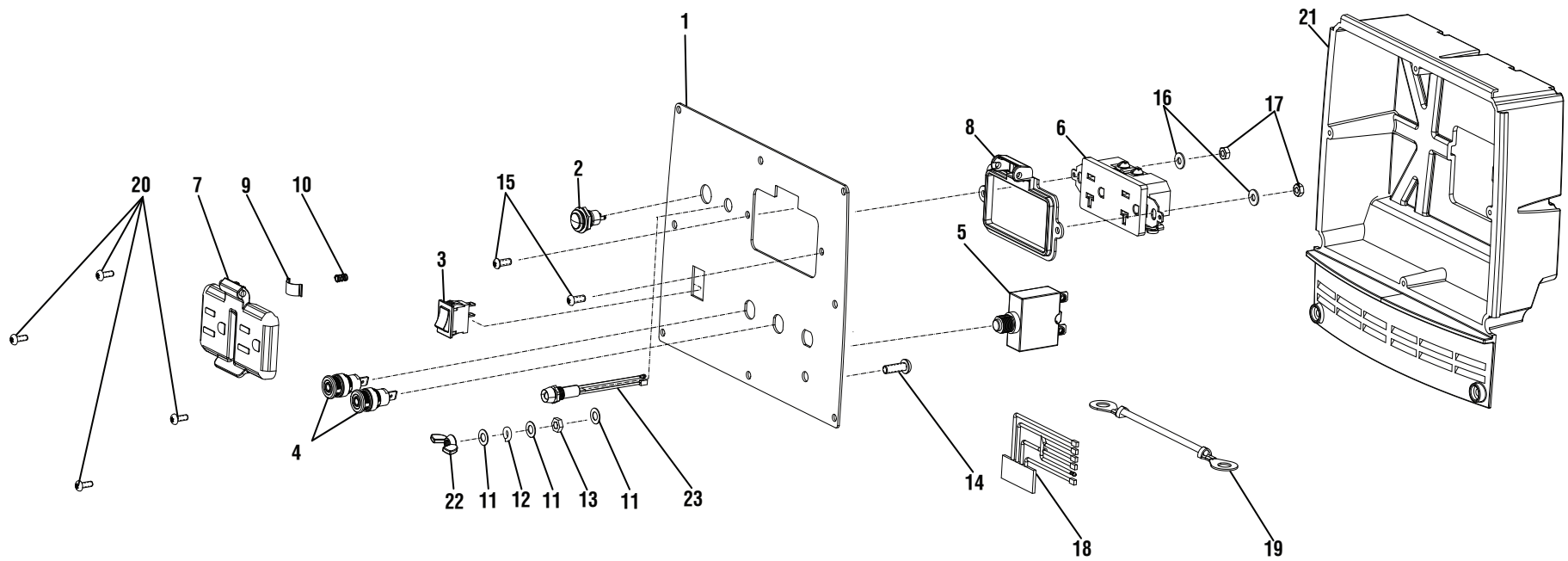
DIGITAL INVERTER GENERATOR – ITEM NUMBER RYi2000GRA

The model number will be found on a label attached to the back cover. Always mention the model number in all correspondence regarding your **DIGITAL INVERTER GENERATOR** or when ordering parts.

PARTS LIST – FIGURE C

KEY NO.	PART NUMBER	DESCRIPTION	QTY
1	570818006	Edge Trim Rubber	1
2	901663009	Engine Intake Baffle	1
3	660975004	Bolt (M6 x 12mm, Hex Hd.).....	2
4	901663011	Inverter Module Bracket.....	1
5	660345009	Screw (M4 x 10 mm, T20 Torx Hd.).....	3
6	290991020	Inverter Module	1
7	570630006	Rubber Pad	1

Figure D



DIGITAL INVERTER GENERATOR – ITEM NUMBER RYi2000GRA

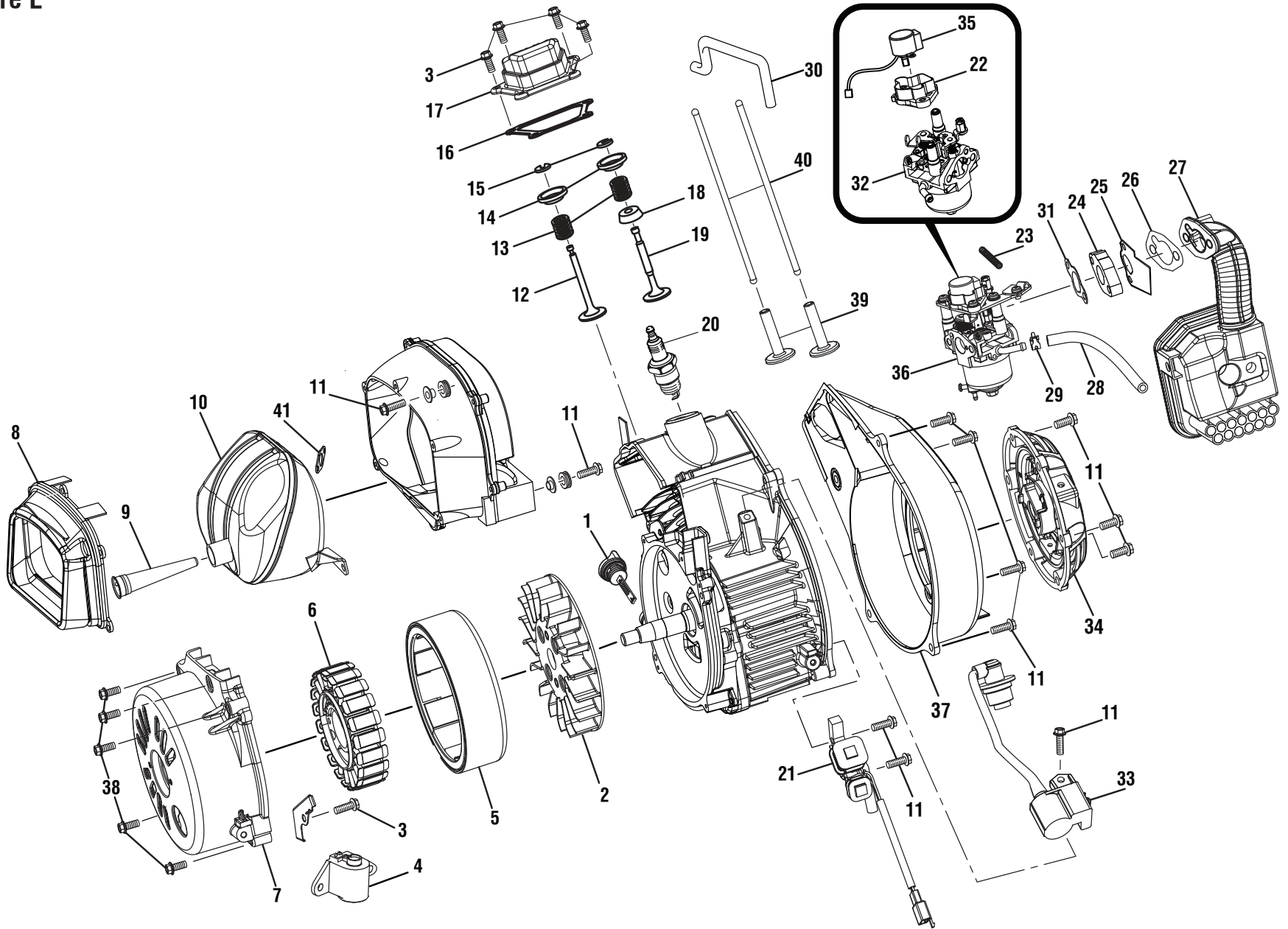
The model number will be found on a label attached to the back cover. Always mention the model number in all correspondence regarding your **DIGITAL INVERTER GENERATOR** or when ordering parts.

PARTS LIST – FIGURE D

KEY NO.	PART NUMBER	DESCRIPTION	QTY
1	638496052	Front Cover	1
2	760945005	Reset Button	1
3	760504016	Auto Idle Switch	1
4	870932002	Connector (Black)	2
5	780350007	Circuit Breaker (20A)	1
6	290400017	120 Volt Duplex Receptacle (20 Amp)	1
7	570412014	Receptacle Cover (Front)	1
8	570412015	Receptacle Cover	1
9	570412012	Clip	1
10	679449001	Compression Spring	1
11	638623005	Washer (OD10 x ID5.3 x 0.5t)	3
12	678343003	Lock Washer (OD9 x ID5 x 1.3t)	1
13	678016008	Hex Nut (M5)	1
14	660976002	Bolt (M5 x 16 mm, Pan Hd.)	1
15	660345025	Bolt (M4 x 10 mm, T15 Torx Hd.)	2
16	690969002	Washer (OD10 x 4.2 x 1t)	2
17	661514002	Hex Nut (M4)	2
18	290514015	Internal Wire Assembly	1
19	290404011	Ground Wire	1
20	660901004	Screw (M6 x 3/8 in., T15 Torx Pan HD.)	4
21	519707015	Electrical Panel Housing	1
22	678016009	Wing Nut (M5)	1
23	270290022	Indicator (Red LED 3.3V-4mA)	1

DIGITAL INVERTER GENERATOR – ITEM NUMBER RYi2000GRA

Figure E



Not all parts shown on the exploded view are available. Some parts are shown to identify position and location of parts that are available.

DIGITAL INVERTER GENERATOR – ITEM NUMBER RYi2000GRA

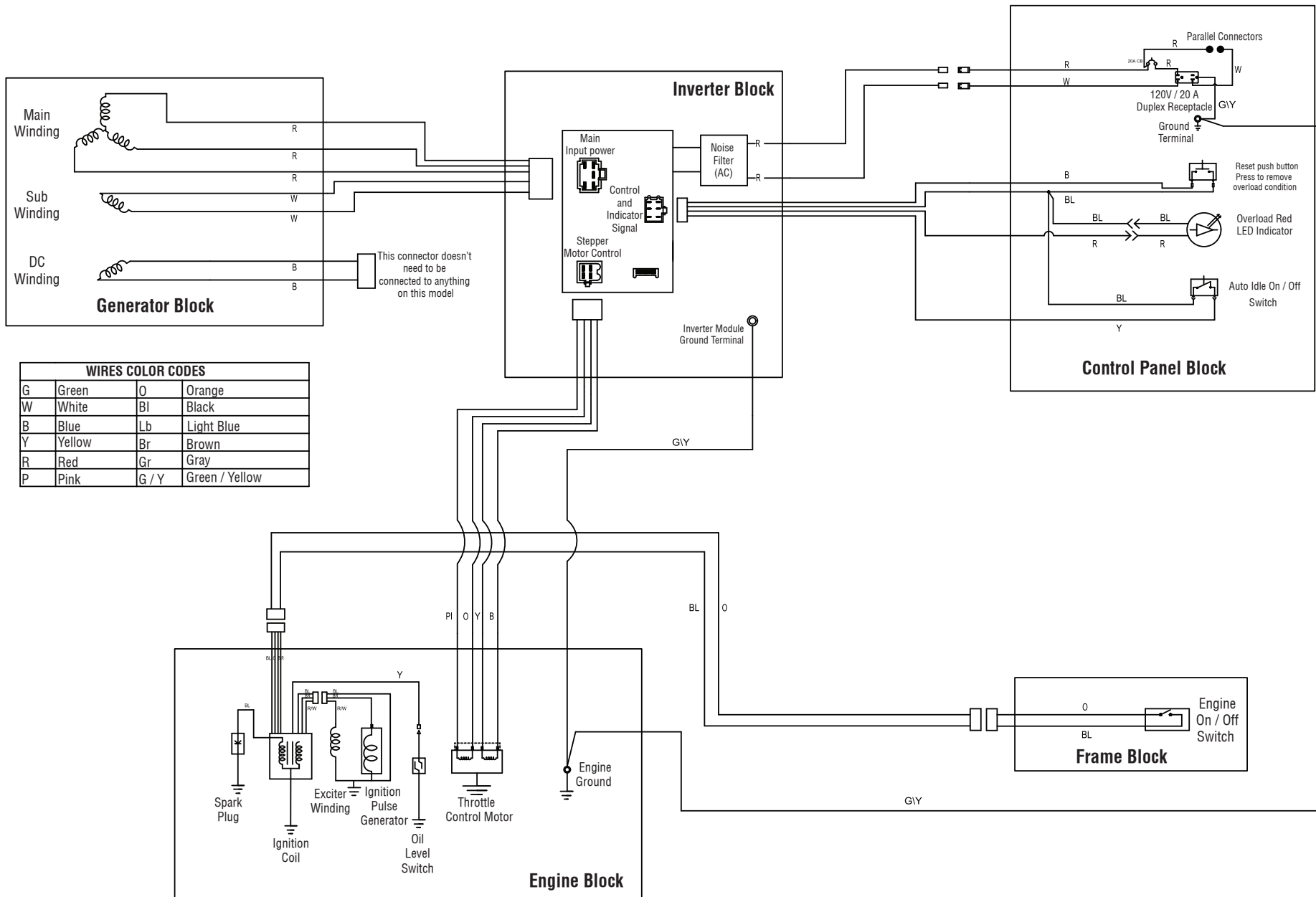
The model number will be found on a label attached to the back cover. Always mention the model number in all correspondence regarding your **DIGITAL INVERTER GENERATOR** or when ordering parts.

PARTS LIST – FIGURE E

KEY NO.	PART NUMBER	DESCRIPTION	QTY	KEY NO.	PART NUMBER	DESCRIPTION	QTY
1	310302005	Oil Dipstick	1	22	524021005	Governor Motor Housing	1
2	310757003	Fan	1	23	679449002	Compression Spring	1
3	91325	Bolt (M6 x 12 mm).....	5	24	202301	Thermal Insulation Seat (Carburator)	1
4	205101	Low Oil Sensor	1	25	96121	Paper Gasket	1
5	310771053	Rotor	1	26	96009	Air Box Gasket	1
6	310772054	Stator.....	1	27	518248005	Air Filter Assembly	1
7	678289012	Alternator Cover	1	28	570358172	Fuel Hose (6 mm)	1
8	638497046	Muffler Heat Shield.....	1	29	678409003	Fuel Line Clamp (7/16 in.)	1
9	638147013	Spark Arrestor	1	30	95614	Breather.....	1
10	308990055	Muffler	1	31	96007	Gasket (Connection Block)	1
11	91329	Bolt (M6 x 16 mm).....	12	32	308054124	Carburetor	1
12	205901	Exhaust Valve	1	33	850202005	Ignition Coil	1
13	206001	Valve Spring	2	34	636996002	Engine Recoil	1
14	201801	Plate	2	35	230404002	Stepper Motor	1
15	200801	Valve Lock Clamp.....	2	36	308054123	Carburetor Assembly (Inc. Key Nos. 22, 32 & 35).....	1
16	96006	Gasket (Over Head Cover)	1	37	204901	Engine Cover.....	1
17	201101	Over Head Cover.....	1	38	91334	Bolt (M6 x 30 mm).....	5
18	201802	Inlet Valve Spring Seat	1	39	206101	Lifter Valve.....	2
19	201701	Inlet Valve	1	40	201901	Pushing Rod.....	2
20	97101	* Spark Plug.....	1	41	96008	Gasket (Muffler).....	1
21	760504020	RPM Sensor	1				

* STANDARD HARDWARE ITEM – MAY BE PURCHASED LOCALLY

DIGITAL INVERTER GENERATOR – ITEM NUMBER RYi2000GRA



Wiring Diagram