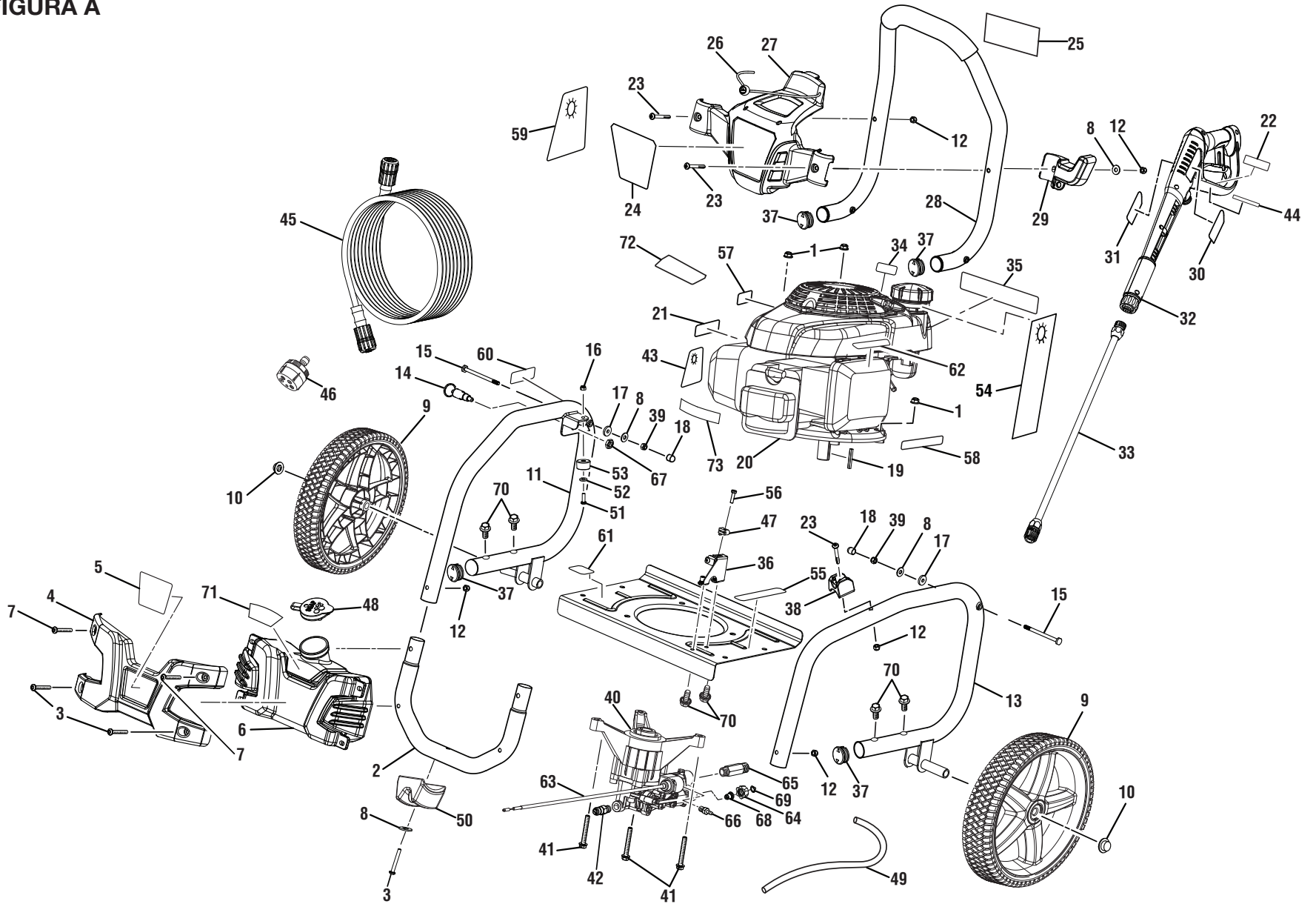


RYOBI PRESSURE WASHER – MODEL NO. RY80940B

FIGURE A /  
FIGURA A



## RYOBI PRESSURE WASHER – MODEL NO. RY80940B

The model number will be found on a label attached to frame. Always mention the model number in all correspondence regarding your **PRESSURE WASHER** or when ordering replacement parts.

### FIGURE A PARTS LIST

KEY	P/N	DESCRIPTION	QTY	KEY	P/N	DESCRIPTION	QTY	KEY	P/N	DESCRIPTION	QTY
1	678774002	* Lock Nut (M8 x 1-1/4).....	3	24	940779097	Performance Label .....	1	51	661555001	* Bolt (M4 x 12 mm, Soc. Pan Hd.)....	1
2	310742023	Front Frame (Inc. Key. Nos. 3, 8, 43 and 50).....	1	25	524408004	Quick Start Label .....	1	52	678600002	* Washer (M4).....	1
3	660224009	* Screw (M6 x 1.25in., T30 Torx Pan Hd.).....	3	26	310664001	Bungee Cord & Bead Assembly .....	1	53	570712001	Rubber Bumper .....	1
4	518790016	Detergent Tank Cover .....	1	27	310673013	Hose Storage.....	1	54	940473006	Warning Hang Tag .....	1
5	941608002	Detergent Tank Label.....	1	28	308638032	Handle Assembly ( Inc. Key No. 37) 1		55	940676024	Data Label.....	1
6	580875010	Detergent Tank w/Outlet .....	1	29	518929002	Trigger Handle Holder.....	1	56	660938003	* Cap Screw (M5 x 20 mm) .....	1
7	661503015	* Bolt (M6 x 48 mm, T30 Torx Pan Hd.) .....	2	30	940654083	Trigger Handle Warning Label .....	1	57	940947003	Combustion Warning Label .....	1
8	638128004	* Washer (1/4 in.).....	4	31	940705189	Logo Label .....	1	58	940803018	EMC Label .....	1
9	308451053	Wheel.....	2	32	308760009	Trigger Handle Assembly w/Label .....	1	59	941609001	Nozzle Hang Tag.....	1
10	679957001	Metal Cap .....	2	33	308494058	Spray Wand .....	1	60	940693003	Release Pin Label .....	1
11	310704009	Main Frame Assembly (Right, Inc. Key Nos. 16, 37 and 51-53).....	1	34	940872003	E85 Label.....	1	61	940871002	Oil Dipstick Label.....	1
12	678610006	* Lock Nut (M6) .....	5	35	940894012	Danger Label .....	1	62	941486008	Inquiries Label.....	1
13	310703008	Main Frame Assembly (Left Inc. Key. No. 37).....	1	36	310437005	Idle Down Speed Controller Assembly.....	1	63	310437009	Idler Assembly .....	1
14	308910005	Handle Release Knob .....	1	37	518932001	Plastic Tube Cap.....	4	64	642058001	Spindle.....	1
15	678406010	* Connection Pin (1/4-20 x 3.5 in., Hex Hd.).....	2	38	518931004	Spray Wand Holder.....	1	65	308862003	Outlet Tube .....	1
16	678610002	* Flange Nut (M4 x 0.7).....	1	39	678016006	* Lock Nut (1/4-20).....	2	66	308452002	Detergent Suction Kit.....	1
17	518724003	Spacer .....	2	40	308653064	Pump (Inc. Key Nos. 63-66 & 68-69)1		67	678518002	* Lock Nut (1/2-20).....	1
18	570410003	Cap .....	2	41	660962003	* Bolt (M8 x 60 mm, Flange Hd.).....	3	68	310993003	Collar.....	1
19	678041007	Output Shaft Key .....	1	42	678169004	Thermal Release Valve.....	1	69	308662001	Filter Screen (Pump Inlet).....	1
20	**	Engine (Honda 190cc) .....	1	43	961454001	Oil Dipstick Hang Tag .....	1	70	661505020	* Bolt (M6 x 16 mm, Flange Hd.).....	6
21	940680027	Hot Surface Label.....	1	44	940786020	Trigger Handle Label.....	1	71	941608003	Detergent Tank Label.....	1
22	940654089	Trigger Handle Warning Label .....	1	45	308835066	High Pressure Hose (25 ft.).....	1	72	941754005	Engine Shroud Label .....	1
23	661834001	* Screw (M6 x 48 mm, Phillips Button Hd.) .....	3	46	310448004	5-in-1 Change Over Nozzle .....	1	73	940608014	Idle Down Label .....	1
				47	524014001	Idle Down Clip .....	1	<b>Not Shown:</b>			
				48	310650004	Detergent Tank Cap .....	1	*		Oil (SAE 10W30, 18 oz.)	
				49	570728007	Injection Hose .....	1	990000680		Operator's Manual	
				50	561307007	Rubber Foot.....	1	900333015		Wire Tie	

\* Standard Hardware Item – May Be Purchased Locally

\*\* Parts Available At Your Local Honda Dealer