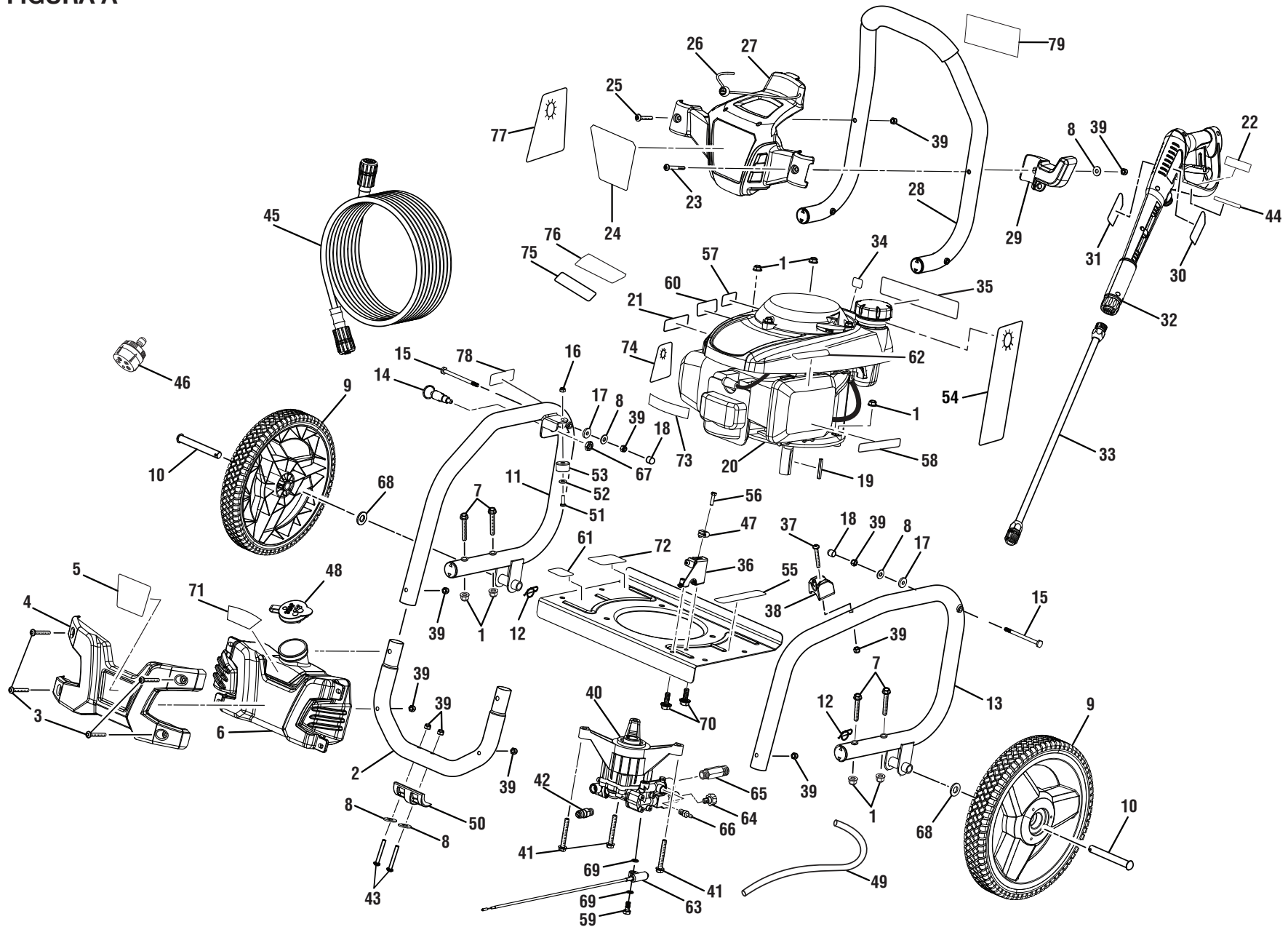


RYOBI PRESSURE WASHER – MODEL NO. RY80940 SERIES

FIGURE A /
FIGURA A



RYOBI PRESSURE WASHER – MODEL NO. RY80940 SERIES

The model number will be found on a plate attached to frame. Always mention the model number in all correspondence regarding your **PRESSURE WASHER** or when ordering replacement parts.

FIGURE A PARTS LIST

KEY	P/N	DESCRIPTION	QTY	KEY	P/N	DESCRIPTION	QTY	KEY	P/N	DESCRIPTION	QTY
1	678774002	* Lock Nut (M8 x 1-1/4 in.).....	7	26	900333015	* Wire Tie.....	1	53	570712001	Rubber Bumper.....	1
2	310742004	Front Frame (Inc. Key. Nos. 3, 8, 39, 43 and 50).....	1	27	310673013	Hose Storage.....	1	54	940473006	Warning Hang Tag.....	1
3	661501001	* Screw (1/4-20 x 1.85 in., T30 Torx Pan Hd.).....	4	28	308638032	Handle Assembly.....	1	55	940676024	Data Label.....	1
4	518790016	Detergent Tank Cover.....	1	29	518929002	Trigger Handle Holder.....	1	56	660938003	* Cap Screw (M5 x 20 mm).....	1
5	941608002	Detergent Tank Label.....	1	30	940654083	Trigger Handle Warning Label.....	1	57	940947003	Combustion Warning Label.....	1
6	580875010	Detergent Tank w/Outlet.....	1	31	940705189	Logo Label.....	1	58	940803018	EMC Label.....	1
7	660962001	* Bolt (M8 x 55 mm, Flange Hd.).....	4	32	308760009	Trigger Handle Assembly w/Label.....	1	59	660971005	Bolt (M10 x 22 mm).....	1
8	638128004	* Washer (1/4 in.).....	5	33	308494003	Spray Wand.....	1	60	940517007	Lubricant Label.....	1
9	308451038	Wheel.....	2	34	940872003	E85 Label.....	1	61	940871002	Oil Dipstick Label.....	1
10	620599007	Axle.....	2	35	940894004	Danger Label.....	1	62	940486008	Inquiries Label.....	1
11	310704005	Main Frame Assembly (Right, Inc. Key Nos. 14, 16 and 51-53).....	1	36	310437005	Idle Down Speed Controller Assembly.....	1	63	310437006	Idler Assembly.....	1
12	678899001	Spring Pin.....	2	37	660760002	* Bolt (1/4-20 x 1-3/4 in., Pan Hd.).....	1	64	308861003	Inlet Tube.....	1
13	310703005	Main Frame Assembly (Left).....	1	38	518931004	Spray Wand Holder.....	1	65	308862002	Outlet Tube.....	1
14	308910005	Handle Release Knob.....	1	39	678016006	* Lock Nut (1/4-20).....	11	66	308452002	Detergent Suction Kit.....	1
15	678406010	* Connection Pin (1/4-20 x 3.5 in., Hex Hd.).....	2	40	308653054	Pump (Inc. Key Nos. 63-66).....	1	67	678518002	* Lock Nut (1/2-20).....	1
16	678610002	* Flange Nut (M4 x 0.7).....	1	41	660962003	* Bolt (M8 x 60 mm, Flange Hd.).....	3	68	638275002	* Washer (1/2 in.).....	2
17	518724003	Spacer.....	2	42	678169004	Thermal Release Valve.....	1	69	310928001	Compression Seal.....	2
18	570410003	Cap.....	2	43	661501007	* Screw (1/4-20 x 2 in., T30 Torx Truss Hd.).....	2	70	661505020	* Bolt (M6 x 16 mm, Flange Hd.).....	2
19	678041007	Output Shaft Key.....	1	44	940786020	Trigger Handle Label.....	1	71	941608003	Detergent Tank Label.....	1
20	**	Engine (Honda 190cc).....	1	45	308835036	High Pressure Hose (25 ft.).....	1	72	940836049	Data Label.....	1
21	940680027	Hot Surface Label.....	1	46	310448004	5-in-1 Change Over Nozzle.....	1	73	940608014	Idle Down Label.....	1
22	940654089	Trigger Handle Warning Label.....	1	47	524014001	Idle Down Clip.....	1	74	961454001	Oil Dipstick Hang Tag.....	1
23	660592006	* Screw (1/4-20 x 2.1 in., Pan Hd.).....	1	48	310650004	Detergent Tank Cap.....	1	75	940705193	Honda Brand Label.....	1
24	940779097	Performance Label.....	1	49	570728007	Injection Hose.....	1	76	941754003	Engine Shroud Label.....	1
25	660592005	* Screw (1/4-20 x 1.65 in., Phillips Truss Hd.).....	1	50	561307005	Rubber Foot.....	1	77	941609001	Nozzle Hang Tag.....	1
				51	661555001	* Bolt (M4 x 12 mm, Soc. Pan Hd.).....	1	78	940693003	Release Pin Label.....	1
				52	678600002	* Washer (M4).....	1	79	524408004	Quick Start Label.....	1
								Not Shown:			
								*		Oil (SAE 10W30, 18 oz.)	
								990000248		Operator's Manual	

* Standard Hardware Item – May Be Purchased Locally

** Parts Available At Your Local Honda Dealer