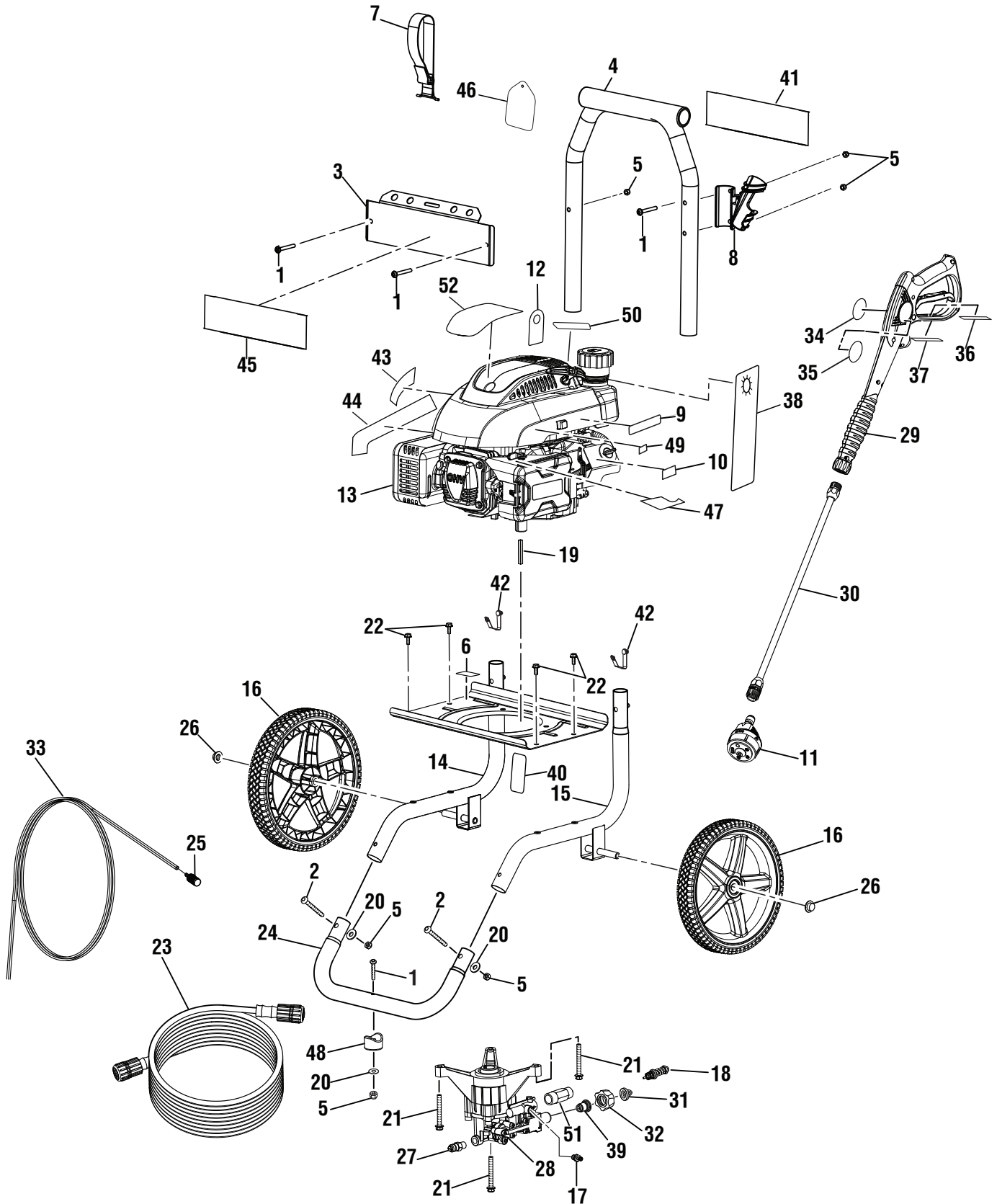


RYOBI
Pressure Washer
Manufacturing No. 090079399
Item No. RY802900
Replacement Parts List

TECHTRONIC INDUSTRIES POWER EQUIPMENT

1428 Pearman Dairy Road, Anderson, SC 29625 USA
1-800-860-4050 • www.ryobitools.com

RYOBI PRESSURE WASHER MODEL NO. RY802900



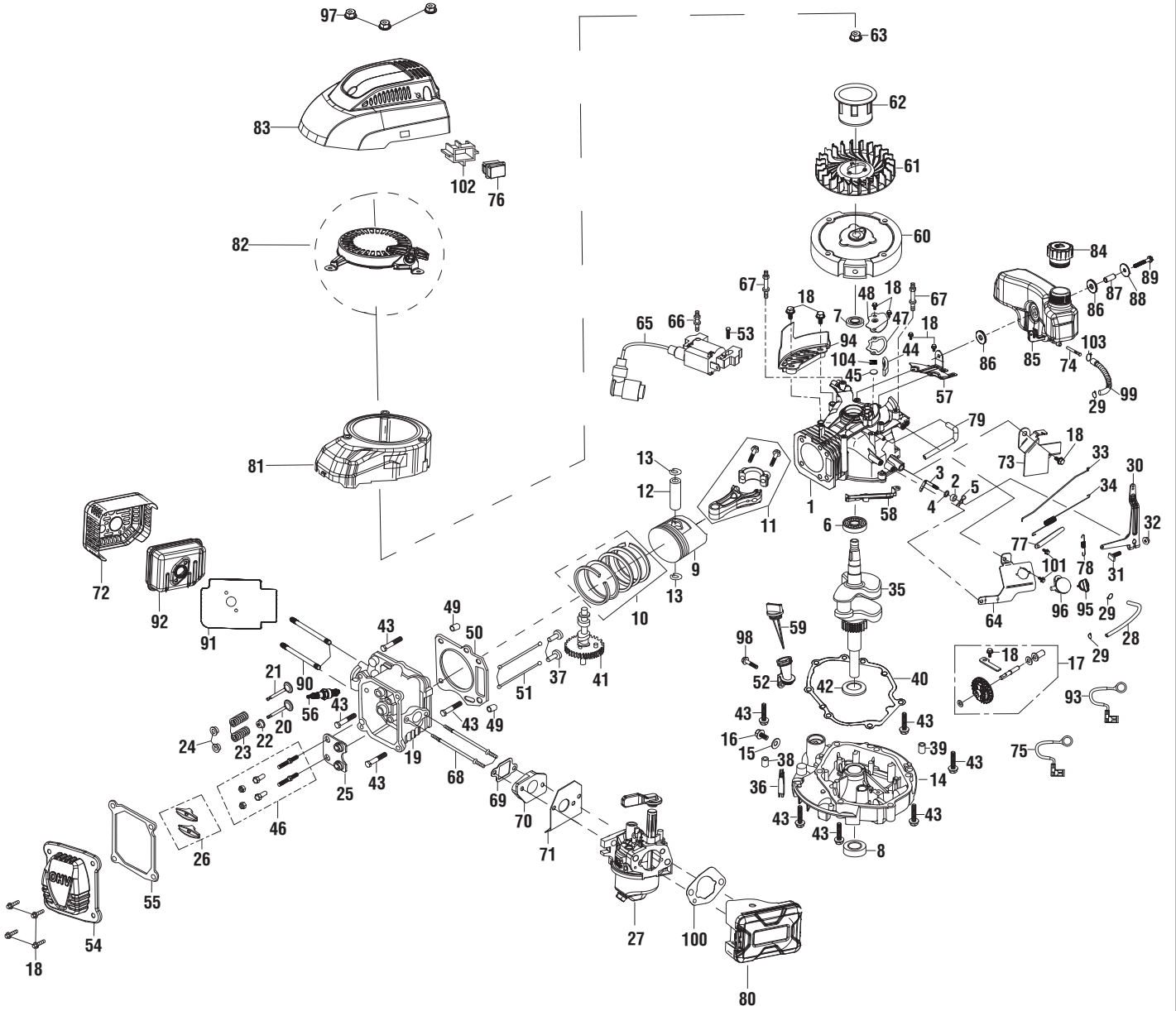
RYOBI PRESSURE WASHER MODEL NO. RY802900

The model number will be found on a label attached to the engine plate. Always mention the model number in all correspondence regarding your **PRESSURE WASHER** or when ordering replacement parts.

KEY PART NO. NUMBER	DESCRIPTION	QTY	KEY PART NO. NUMBER	DESCRIPTION	QTY
1	661503015 Bolt (M6 x 48 mm, T30 Torx Pan Hd.)	4	29	308760019 Trigger Handle Assembly (Inc. Keys Nos. 35 & 37)	1
2	661834004 Bolt (M6 x 42 mm, T30 Torx Pan Hd.)	2	30	308506006 Extension Wand	1
3	638671013 Performance Panel	1	31	308662001 Filter Screen (Pump Inlet)	1
4	308638064 Handle w/Foam	1	32	310993003 Collar	1
5	678610006 Lock Nut (M6)	6	33	561399003 Chemical Siphon Tube	1
6	940871016 Add Oil Label	1	34	940786035 Trigger Handle Logo Label	1
7	308350003 Hose Holder Strap	1	35	940654084 Trigger Handle Warning Label (Eng)	1
8	519313009 Wand Holder	1	36	940654228 Trigger Handle Warning Label (Fr/Sp)	1
9	940647123 Instruction Label	1	37	940786047 Trigger Handle Rating Label	1
10	940698040 Fuel Valve Label	1	38	940851346 Danger Hangtag	1
11	310448012 5-in-1 Nozzle	1	39	642058001 Spindle	1
12	961454002 Oil Dipstick Hangtag	1	40	940947016 Combustion Label	1
13	Note A Engine (173CC)	1	41	940851351 Quick Start Label	1
14	310703012 Main Frame Assembly (Left, Inc. Key No. 42)	1	42	308421004 Lock Button w/Spring Clip	2
15	310704013 Main Frame Assembly (Right, Inc. Key No. 42)	1	43	940680074 Hot Surface Label	1
16	308451053 Wheel	2	44	940851347 Danger Label	1
17	308452002 Detergent Suction Kit	1	45	940851349 Performance Label	1
18	310924003 Pump Unloader Valve	1	46	941609001 Nozzle Hangtag	1
19	678041006 Output Shaft Key	1	47	940698039 Choke Label	1
20	638128004 Washer (1/4 in.)	3	48	570554002 Wear Pad	1
21	661505004 Bolt (M8 x 45 mm, Hex Flange Hd.)	3	49	941721004 Off Label	1
22	661505020 Bolt (M6 x 16 mm, Hex Flange Hd.)	4	50	940873007 No E85 Label	1
23	308835094 Hose (35 ft.)	1	51	308862003 Outlet Tube	1
24	310742028 Front Frame Assembly (Inc. Key Nos. 1, 5, 20 & 48)	1	52	940851350 Shroud Label	1
25	308103015 Chemical Siphon Filter	1	Not Shown:		
26	679957001 Push Cap Nut (1/2 in.)	2	120960011	High Alt Kit (2000–7000 Ft.)	
27	678169004 Thermal Release Valve	1	995000357	Operator's Manual	
28	308653052 Pump (Inc. Keys Nos. 17-18, 31-32, 39 and 51)	1	995000358	Quick Start Guide	
			900333015	Wire Tie	
			519314001	Funnel	

NOTE A: Techtronic Industries Power Equipment, Inc. will not provide a complete motor/pump as a replacement part. Contact our service department for assistance.

RYOBI PRESSURE WASHER MODEL NO. RY802900



RYOBI PRESSURE WASHER MODEL NO. RY802900

The model number will be found on a label attached to the engine plate. Always mention the model number in all correspondence regarding your **PRESSURE WASHER** or when ordering replacement parts.

KEY NO.	PART NUMBER	DESCRIPTION	QTY	KEY NO.	PART NUMBER	DESCRIPTION	QTY
1	099981133001	Crankcase.....	1	31	099981133031	Governor Arm Bolt (M6 x 21 mm, Hex Hd.).....	1
2	099981133002	Governor Arm Shaft Seal.....	1	32	099981133032	Nut (M6)	1
3	099981133003	Governor Arm Shaft	1	33	099981133033	Governor Rod	1
4	099981133004	Governor Arm Shaft Washer.....	1	34	099981133034	Throttle Return Spring	1
5	099981133005	Pin Lock	1	35	099981133035	Crankshaft Assembly.....	1
6	099981133006	Ball Bearing.....	1	36	099981133036	Oil Defense Pipe	1
7	099981133007	Oil Seal.....	1	37	099981133037	Valve Lifter	2
8	099981133008	Oil Seal.....	1	38	099981133038	Case Cover Dowel Pin	1
9	099981133009	Piston.....	1	39	099981133039	Case Cover Dowel Pin.....	1
10	099981133010	Piston Scraper Ring Set	1	40	099981133040	Case Cover Packing	1
11	099981133011	Connecting Rod Assembly	1	41	099981133041	Camshaft Assembly.....	1
12	099981133012	Piston Pin.....	1	42	099981133042	Crankshaft Washer	1
13	099981133013	Piston Clip.....	2	43	099981133043	Bolt (M8 x 50 mm).....	10
14	099981133014	Crankcase Cover Assembly.....	1	44	099981133044	Breather Filter	1
15	099981133015	Drain Plug Washer	1	45	099981133045	Breather Valve Cover	1
16	099981133016	Drain Plug	1	46	099981133046	Rocker Bolt.....	2
17	099981133017	Governor Assembly	1	47	099981133047	Breather Chamber Gasket.....	1
18	099981133018	Bolt (M6 x 12 mm, Hex Flange Hd.).....	12	48	099981133048	Breather Chamber Cap.....	1
19	099981133019	Cylinder Head	1	49	099981133049	Dowel Pin.....	2
20	099981133020	Inlet Valve.....	1	50	099981133050	Cylinder Head Gasket.....	1
21	099981133021	Exhaust Valve.....	1	51	099981133051	Push Rod	2
22	099981133022	Intake Valve Returner.....	1	52	099981133052	Oil Filler Extension	1
23	099981133023	Valve Spring	2	53	099981133053	Bolt (M6 x 30 mm).....	1
24	099981133024	Valve Spring In Seat.....	2	54	099981133054	Cylinder Head Cover Comp.....	1
25	099981133025	Push Rod Guide Plate	1	55	099981133055	Headcover Packing.....	1
26	099981133026	Rocker Assembly.....	2	56	099981133056	Spark Plug	1
27	099981133027	Carburetor Assembly	1	57	099981133057	Oil Tank Stay	1
28	099981133028	Fuel Line	1	58	099981133058	Shroud	1
29	099981133029	Fuel Line Clip	3	59	099981133059	Dipstick.....	1
30	099981133030	Governor Arm	1	60	099981133060	Flywheel Assembly	1

NOTE A: Techtronic Industries Power Equipment, Inc. will not provide a complete motor/pump as a replacement part. Contact our service department for assistance.

RYOBI PRESSURE WASHER MODEL NO. RY802900

The model number will be found on a label attached to the engine plate. Always mention the model number in all correspondence regarding your **PRESSURE WASHER** or when ordering replacement parts.

KEY NO.	PART NUMBER	DESCRIPTION	QTY	KEY NO.	PART NUMBER	DESCRIPTION	QTY
61	099981133061	Recoil Starter Fan	1	83	099981133083	Fan Cover	1
62	099981133062	Starter Pulley	1	84	099981133084	Fuel Tank Cap	1
63	099981133063	Nut (M14)	1	85	099981133085	Fuel Tank Assembly	1
64	099981133064	Switch Plate	1	86	099981133086	Isolation Pad	2
65	099981133065	Ignition Coil Assembly	1	87	099981133087	Fuel Tank Bushing.....	1
66	099981133066	Ignition Coil Bolt Stud.....	1	88	099981133088	Fuel Tank Washer.....	1
67	099981133067	Recoil Starter Bolt Stud.....	2	89	099981133089	Bolt (M8 x 45 mm).....	1
68	099981133068	Stud Bolt	2	90	099981133090	Stud	2
69	099981133069	Intake Packing	1	91	099981133091	Exhaust Packing	1
70	099981133070	Carburetor Insulator.....	1	92	099981133092	Muffler Comp	1
71	099981133071	Carburetor Packing.....	1	93	099981133093	Flameout Wire.....	1
72	099981133072	Out Muffler Shield	1	94	099981133094	Shroud	1
73	099981133073	Upper Shroud Assembly.....	1	95	099981133095	Fuel Valve Knob	1
74	099981133074	Filter	1	96	099981133096	Fuel Valve Bezel.....	1
75	099981133075	Flameout Wire.....	1	97	099981133097	Nut (M6)	3
76	099981133076	Off Switch	1	98	099981133098	Bolt (M8 X 20 mm)	1
77	099981133077	Wire Harness Clip	1	99	099981133099	Fuel Line	1
78	099981133078	Governor Spring	1	100	099981133100	Carburetor Spacer	1
79	099981133079	Breather Tube	1	101	099981133101	Bolt (M6 x 25 mm).....	2
80	099981133080	Air Cleaner Assembly.....	1	102	099981133102	Switch Bracket.....	1
81	099981133081	Fan Hood	1	103	099981133103	Fuel Line Clip	1
82	099981133082	Recoil Starter Comp	1	104	099981133104	Breather Spring.....	1

NOTE A: Techtronic Industries Power Equipment, Inc. will not provide a complete motor/pump as a replacement part. Contact our service department for assistance.