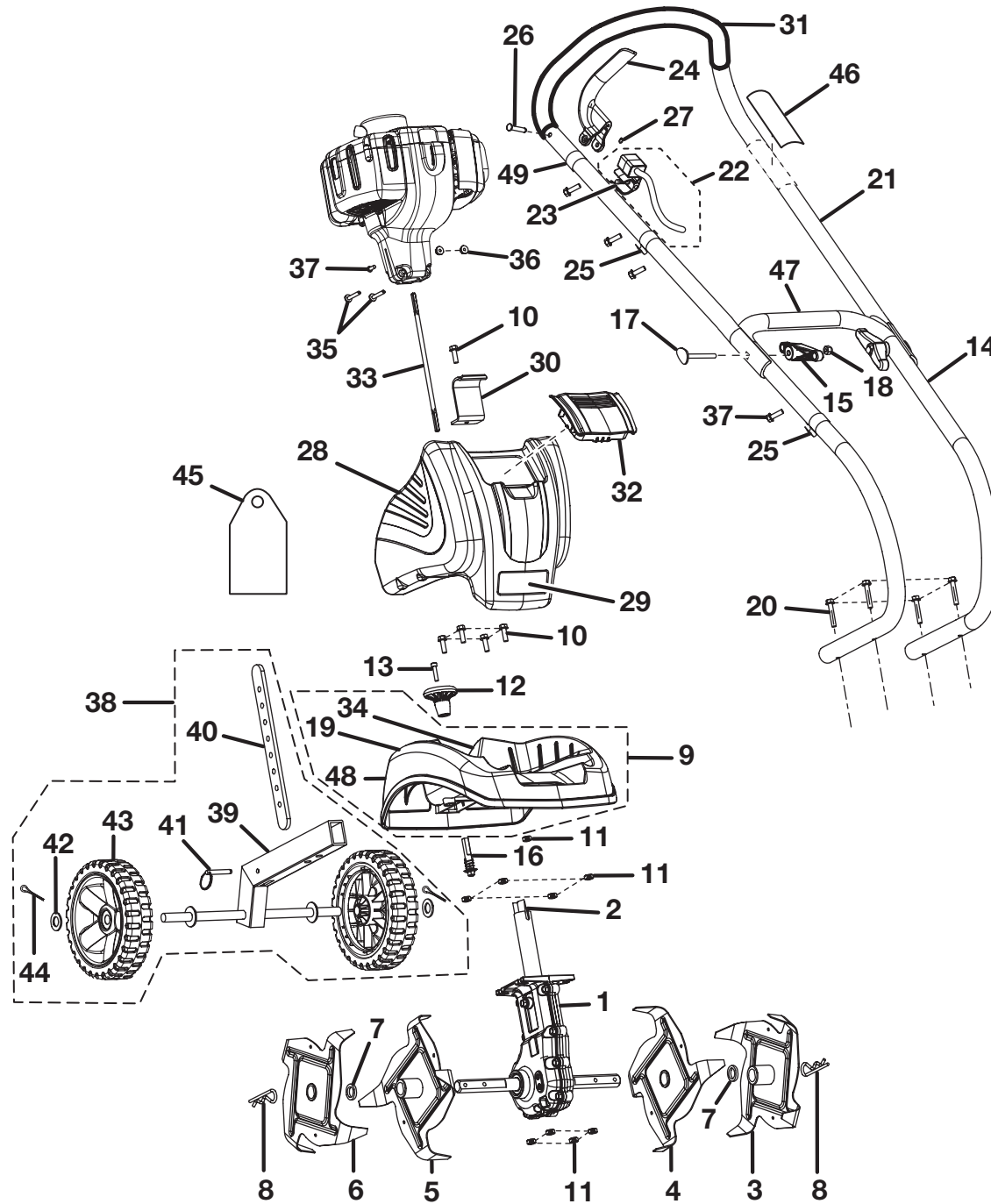


FIGURE A



## RYOBI GAS CULTIVATOR – MODEL NO. RY60514

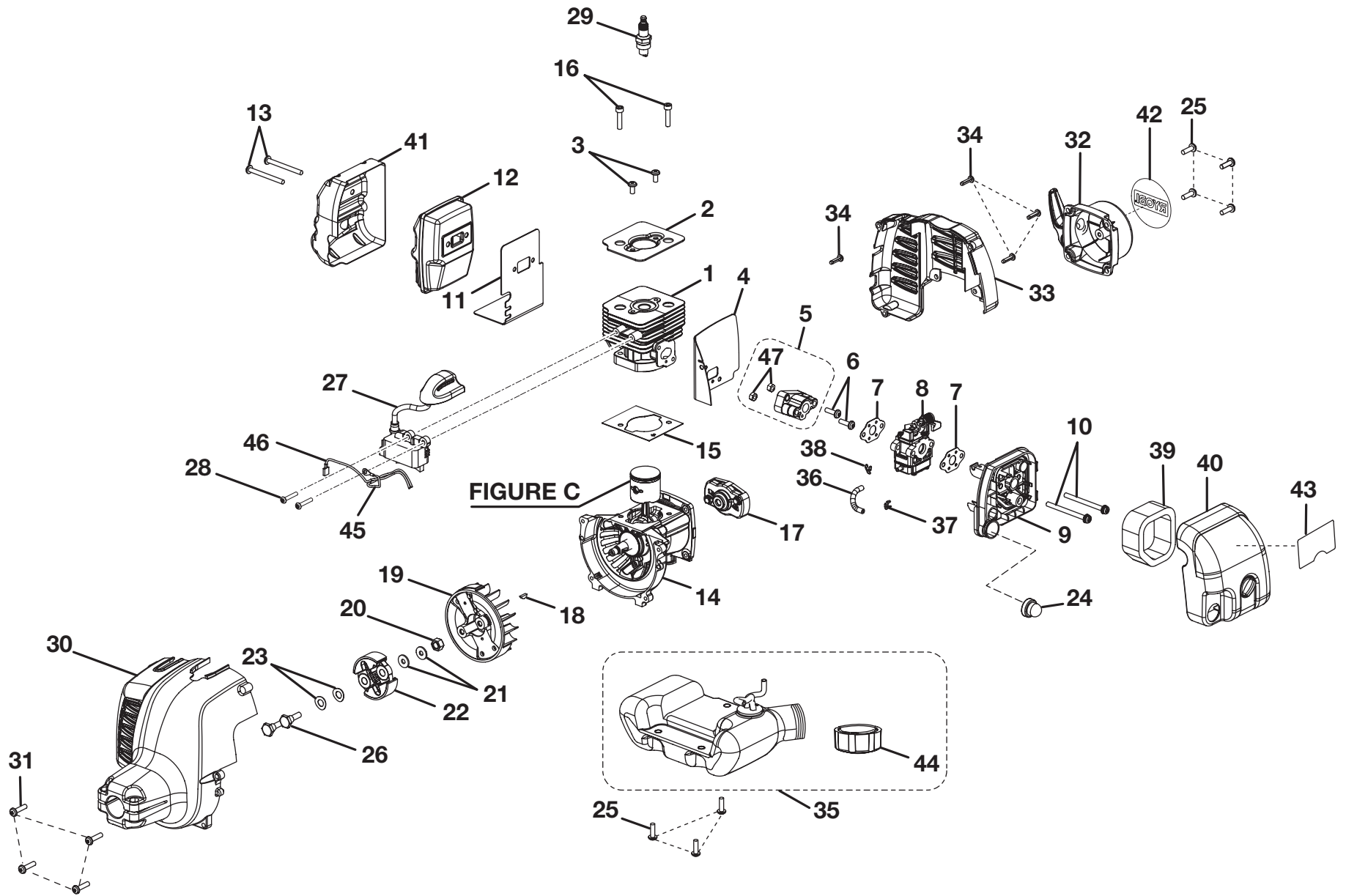
The model number will be found on a plate attached to the starter housing. Always mention the model number in all correspondence regarding your **GAS CULTIVATOR** or when ordering repair parts.

### PARTS LIST (FIGURE A)

KEY NO.	PART NUMBER	DESCRIPTION	QTY	KEY NO.	PART NUMBER	DESCRIPTION	QTY
1	220029004	Gear Box Assembly with Tube .....	1	26	638132001	Clevis Pin .....	1
2	518132001	Liner - Drive Tube.....	1	27	678135001	Retaining Ring.....	1
3	308693001	Tine A, Outer Right.....	1	28	308217001	Tank - Ballast Assembly (Includes Key No. 29).....	1
4	308693002	Tine B, Inner Right .....	1	29	950119004	Logo Label .....	1
5	308693003	Tine C, Inner Left.....	1	30	678052001	Mounting Bracket .....	1
6	308693004	Tine D, Outer Left.....	1	31	518053002	Grip .....	1
7	900755001	Felt Washer .....	2	32	360991001	Ballast Tank Lid.....	1
8	638001004	Clevis Clip .....	2	33	620368001	Flexible Drive Shaft .....	1
9	308216001	Tine Shield Assembly (Inc. Key Nos. 19, 34 and 48).....	1	34	950119001	Wheel Accessory Label.....	1
10	660643002	* Bolt (1/4-20 x 1 in.).....	5	35	660651001	* Bolt (10-24 x 1-1/4 in.) .....	2
11	678132001	* Lock Nut (1/4-20).....	9	36	678027001	* Lock Nut (10-24) .....	2
12	518206001	Receiver Retainer Knob .....	1	37	660669001	* Screw (8-16 x 1/2 in.).....	5
13	660713001	* Screw (M5 x 16 mm Pan Hd.).....	1	38	308213003	Wheel/Drag Stake Assembly (Includes Key No. 39-44).....	1
14	000998258	Lower Handle Assembly (Inc. Key Nos. 25 and 47).....	1	39	308222002	Frame Assembly .....	1
15	518190001	Knob (1/4-20).....	2	40	638017004	Drag Stake .....	1
16	308228001	Receiver Retainer Assembly .....	1	41	638017003	Quick Release Pin .....	1
17	660711002	* Carriage Bolt (1/4-20 x 2-1/4 in.) .....	2	42	638017002	Washer .....	2
18	678142001	Acorn Nut .....	2	43	308236002	Wheel Assembly (6 in. Dia.).....	2
19	950119010	Warning Label, Foot.....	1	44	638635001	Cotter Pin .....	2
20	660643001	* Handle Bolt (1/4-20 x 1.53 in.) .....	4	45	950119014	Warning Hang Tag.....	1
21	000998365	Upper Handle Assembly (Inc. Key No. 25, 31, 46 and 50).....	1	46	950119006	Boom Warning Label .....	1
22	308641004	Throttle Cable Assembly (Inc. Key No. 23).....	1	47	950119003	Starting Label.....	1
23	760679001	Switch .....	1	48	950119002	Warning Label .....	1
24	518256001	Throttle.....	1	49	518489001	Rope Clip .....	1
25	518307001	Plastic Clip .....	2		987000248	Operator's Manual (960475003)	
					12-17-07		
					(Rev:00)		

\* STANDARD HARDWARE ITEM – MAY BE PURCHASED LOCALLY

FIGURE B



## RYOBI GAS CULTIVATOR – MODEL NO. RY60514

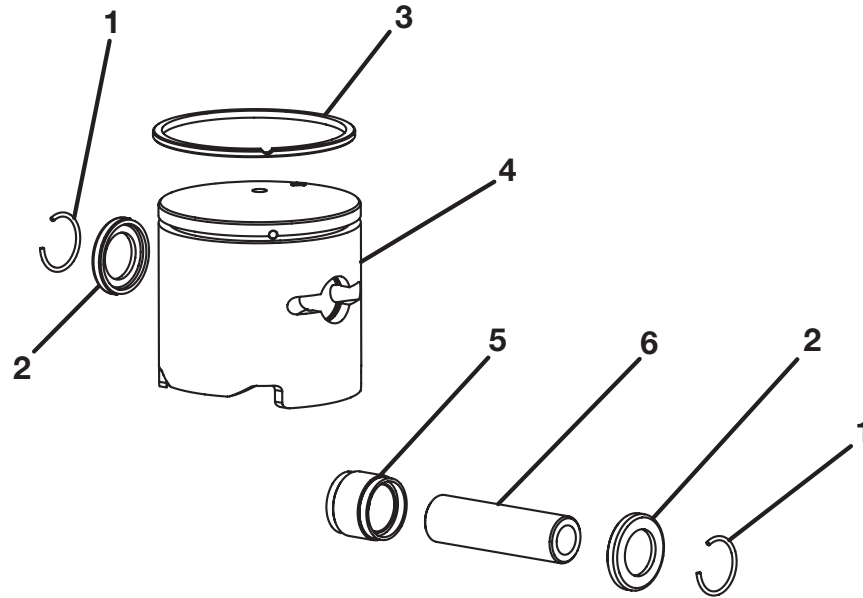
The model number will be found on a plate attached to the starter housing. Always mention the model number in all correspondence regarding your **GAS CULTIVATOR** or when ordering repair parts.

### PARTS LIST (FIGURE B)

KEY NO.	PART NUMBER	DESCRIPTION	QTY	KEY NO.	PART NUMBER	DESCRIPTION	QTY
1	640570026	Cylinder .....	1	26	660353001	* Screw (M6 x 14 mm Pan Hd.) .....	2
2	630002021	Cylinder Plate .....	1	27	290178008	Ignition Assembly .....	1
3	660351002	Screw w/Washer (M5 x 10 mm Pan Hd.) .....	2	28	660349001	* Screw (M4 x 22 mm Pan Hd.) .....	2
4	900711006	Insulator Gasket .....	1	29	870144002	Spark Plug (Champion RCJ-4Y or NKGBPMR7A) .....	1
5	518329001	Insulator (Inc. Key No. 47) .....	1	30	300754008	Front Housing Assembly .....	1
6	660344003	* Screw (M5 x 31 mm Torx Pan Hd.) .....	2	31	660344001	* Screw (M5 x 20 mm Pan Hd.) .....	4
7	900711003	Carburetor Gasket .....	2	32	308430002	Starter Housing Assembly .....	1
8	308428002	Carburetor Assembly .....	1	33	518201001	Rear Engine Housing .....	1
9	518130002	Air Filter Base .....	1	34	660563001	* Screw (M4 x 16 mm Pan Hd.) .....	4
10	660346001	* Screw (M5 x 60 mm Pan Hd.) .....	2	35	308644003	Fuel Tank & Cap Assembly (Inc. Key No. 44) .....	1
11	630002006	Muffler Gasket .....	1	36	560880002	Tube .....	1
12	300748016	Muffler Assembly .....	1	37	690700001	Hose Clip .....	1
13	660347001	* Screw (M5 x 50 mm Pan Hd.) .....	2	38	690699001	Clip .....	1
14	300749004	Crankcase Assembly .....	1	39	901590001	Air Filter .....	1
15	900709001	Cylinder Gasket .....	1	40	308207002	Air Filter Cover Assembly .....	1
16	660342001	* Screw (M5 x 22 mm Torx Pan Hd.) .....	2	41	638027001	Heat Shield .....	1
17	308004001	Pulley Assembly .....	1	42	950119007	Logo Label .....	1
18	690688001	Woodruff Key .....	1	43	950119008	Primer Label .....	1
19	640574001	Flywheel .....	1	44	308642001	Fuel Cap Assembly .....	1
20	690689001	* Hex Nut .....	1	45	290143001	Lead Wire Assembly, Black .....	1
21	690695001	Washer .....	2	46	290143002	Lead Wire Assembly, Red .....	1
22	300756001	Clutch Assembly .....	1	47	690840001	* Hex Nut (M5) .....	2
23	690696001	Wavy Washer .....	2				
24	300780002	Primer Assembly .....	1				
25	660351001	* Screw (M5 x 16 mm Pan Hd.) .....	7				

\* STANDARD HARDWARE ITEM – MAY BE PURCHASED LOCALLY

FIGURE C



**PARTS LIST (FIGURE C)**

KEY NO.	PART NUMBER	DESCRIPTION	QTY
1	690691001	Wrist Pin Clip Ring.....	2
2	690687001	Washer.....	2
3	690161002	Piston Ring.....	1
4	640920002	Piston.....	1
5	690686002	Needle Bearing (ID 8 x 8.8).....	1
6	620301001	Wrist Pin.....	1