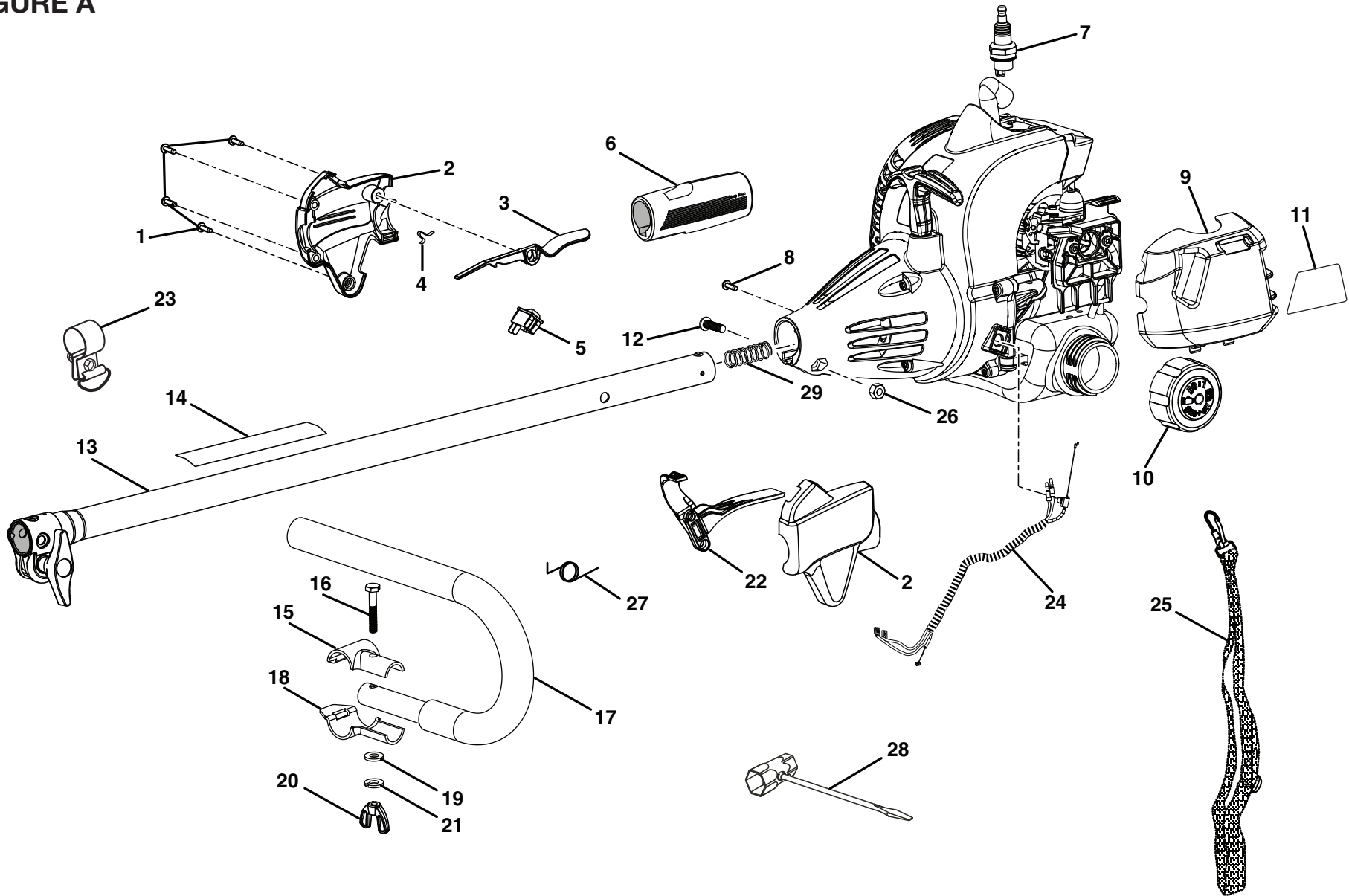


RYOBI TP26 GAS PRUNER
MODEL NO. RY52604/R52907

FIGURE A



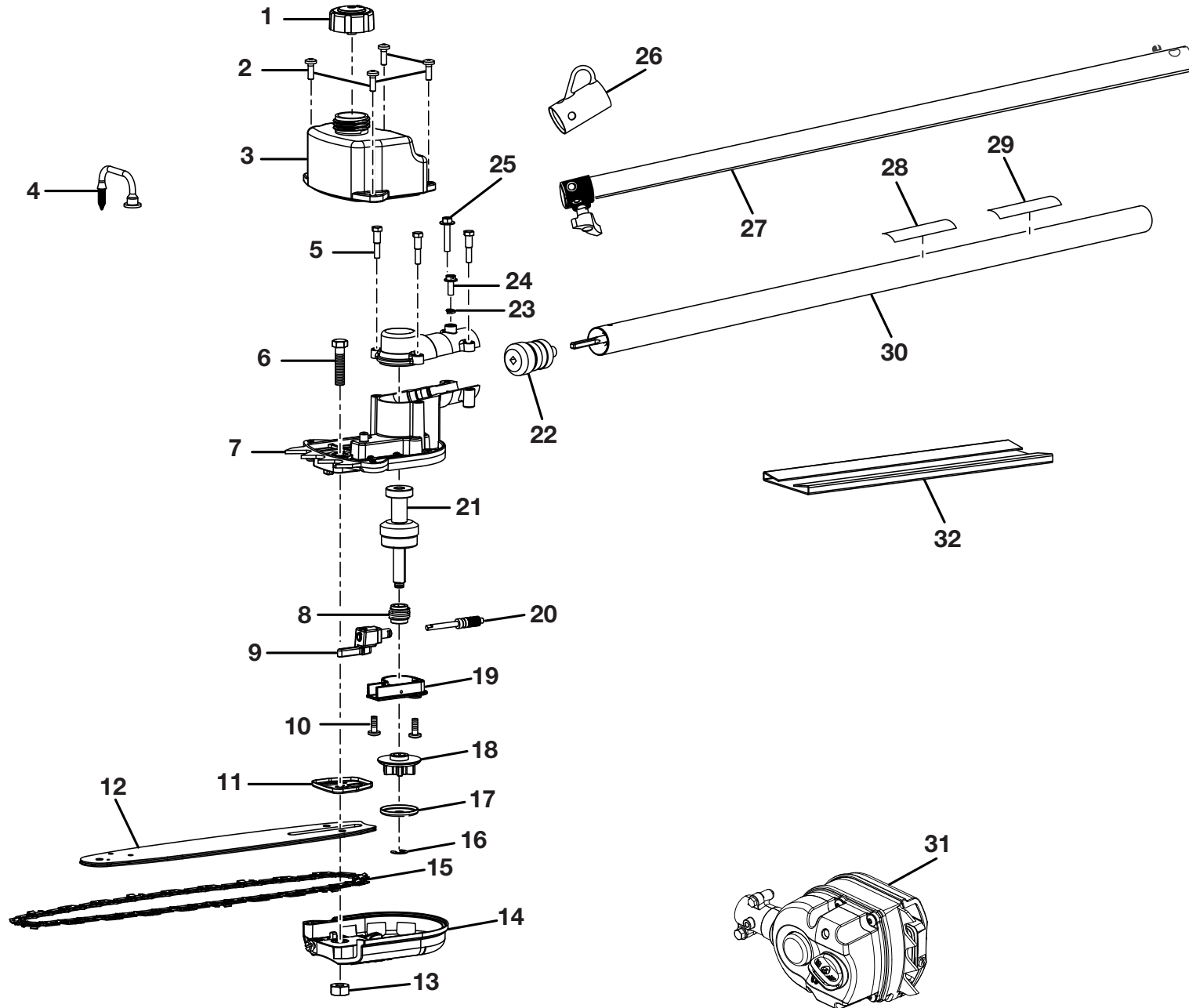
**RYOBI TP26 GAS PRUNER
MODEL NO. RY52604/R52907**

PARTS LIST (FIGURE A)

KEY NO.	PART NUMBER	DESCRIPTION	QTY	KEY NO.	PART NUMBER	DESCRIPTION	QTY
1	660563002	Screw (M4 x 20 mm)	4	19	678013001	Washer	1
2	308869002	Control Handle Assembly	1	20	518949001	Wing Nut (1/4-20)	1
3	518695001	Trigger Lock	1	21	678012001	Lock Washer	1
4	638431001	Strap Hanger	1	22	518696001	Throttle Trigger	1
5	760700002	Switch (Momentary Contact).....	1	23	308224001	Strap Hanger Assembly	1
6	570234002	Rear Handle	1	24	308842004	Throttle and Lead Assembly (Incl. Key No. 5)	1
7	870174001	Spark Plug (Champion RCJ6Y)	1	25	308487001	Shoulder Harness.....	1
8	660634001	Screw (8-16 x 5/16 in., Torx T.F.)	1	26	678029002	Hex Nut (M6)	1
9	518777001	Air Filter Cover	1	27	690694002	Spring	1
10	308680001	Fuel Cap Assembly (1.5 in. Diameter)	1	28	660881001	Combination Wrench	1
	300758006	Fuel Cap Assembly (2 in. Diameter)	1	29	690140011	Compression Spring	1
11	940686026	Starting Label	1				
12	660697002	Bolt (M6 x 20 mm).....	1		Not Shown:		
13	308470004	Upper Boom Assembly	1		987000428	Operator's Manual (960736002).....	1
14	940657034	Warning Decal	1		940705011	Logo Label	1
15	638564001	Handle Bar Clamp Top "J"	1		940991029	Model Label (TP26)	1
16	660643001	Bolt (1/4-20 x 1-1/2 in., Hex Hd.)	1		3-12-09 (REV:00)		
17	308046005	"J" Handle w/Grip	1				
18	638565001	Handle Bar Clamp Bottom "J"	1				

RYOBI TP26 GAS PRUNER
MODEL NO. RY52604/R52907

FIGURE B



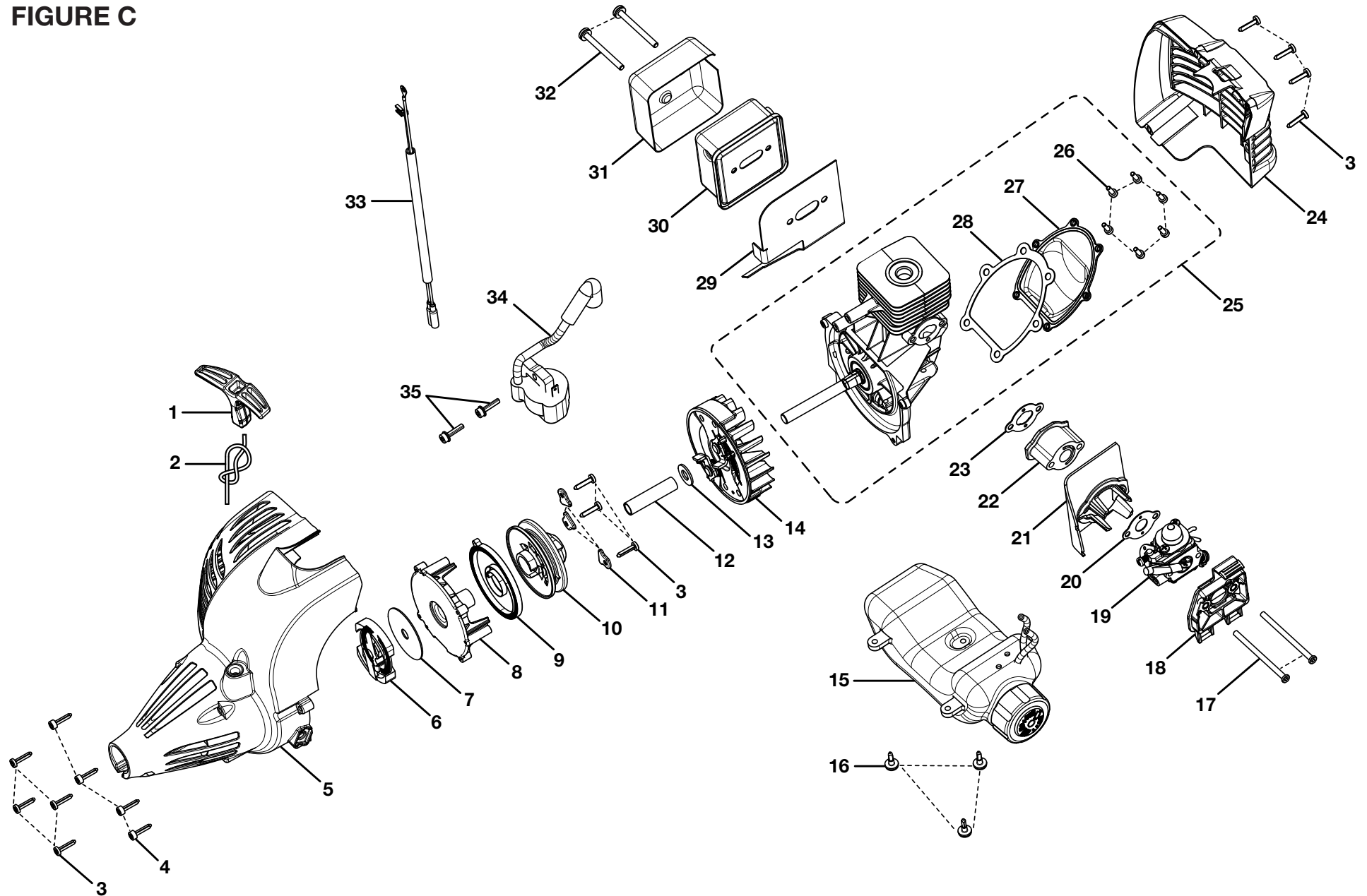
**RYOBI TP26 GAS PRUNER
MODEL NO. RY52604/R52907**

PARTS LIST (FIGURE B)

KEY NO.	PART NUMBER	DESCRIPTION	QTY	KEY NO.	PART NUMBER	DESCRIPTION	QTY
1	308680010	Oil Cap Assembly.....	1	18	610618001	Sprocket.....	1
2	660934003	Screw (M5 x 18 mm).....	4	19	308520001	Oil Pump Housing w/Cam Pin Assembly.....	1
3	580877001	Oil Tank Cover Assembly.....	1	20	308524001	Pinion Gear & Plunger Assembly.....	1
4	308513001	Oil Pickup Assembly.....	1	21	308519001	Output Shaft Assembly.....	1
5	660913001	Screw (M5 x 25 mm).....	3	22	308514001	Pinion and Bearing Assembly.....	1
6	660910002	Screw (M8 x 35 mm).....	1	23	678284001	Lock Washer (5 mm).....	1
7	308532002	Gear Case Assembly.....	1	24	660911001	Screw (M5 x 15 mm).....	1
8	610617001	Worm Gear.....	1	25	660935001	Screw (M5 x 25 mm).....	1
9	308523001	Oil Pump Seal Assembly.....	1	26	518019002	Hanger Cap.....	1
10	660912001	Screw (M5 x 13 mm).....	2	27	308010006	Intermediate Boom Assembly.....	1
11	638282001	Bar Pad Plate.....	1	28	940726013	Logo Label.....	1
12	671834008	Guide Bar.....	1	29	940657030	Warning Label.....	1
13	678355001	Hex Nut (M8).....	1	30	120530008	Lower Drive Shaft Assembly (Incl. Key No. 28-29).....	1
14	120530009	Bar Clamp Assembly.....	1	31	308400005	Gear Head Assembly (Incl. Key Nos. 1-11, 13-14 and 16-25).....	1
15	690583003	Chain (10 in.).....	1	32	518405001	Scabbard.....	1
16	678354001	E-ring (Ø6 mm).....	1				
17	631060001	Cupped Washer.....	1				

RYOBI TP26 GAS PRUNER
MODEL NO. RY52604/R52907

FIGURE C



**RYOBI TP26 GAS PRUNER
MODEL NO. RY52604/R52907**

PARTS LIST (FIGURE C)

KEY NO.	PART NUMBER	DESCRIPTION	QTY	KEY NO.	PART NUMBER	DESCRIPTION	QTY
1	511731001	Starter Grip.....	1	19	308054013	Carburetor Assembly	1
2	900849002	Starter Rope.....	1	20	901552001	Outer Heat Dam Gasket.....	1
3	660466001	Screw (M4 x 18 mm)	11	21	518685001	Air Baffle.....	1
4	660970001	Screw (M4 x 16 mm)	4	22	518497001	Heat Dam	1
5	308671009	Starter Housing Assembly	1	23	901551001	Inner Heat Dam Gasket.....	1
6	300960002	Clutch Assembly	1	24	518504002	Rear Housing	1
7	638090001	Washer	1	25	308892003	Short Block Assembly.....	1
8	518692001	Starter Baffle	1	26	660925003	Screw (M4 x 12 mm)	6
9	638033001	Spring and Container	1	27	638337001	Crankcase Cover.....	1
10	310022001	Easy Starter Assembly	1	28	901550001	Crankcase Cover Gasket	1
11	638389001	Pulley Retainer	3	29	901452001	Muffler Gasket.....	1
12	638284002	Spacer Tube	1	30	308990011	Muffler Assembly	1
13	650017001	Washer	1	31	638442001	Muffler Housing.....	1
14	308811001	Flywheel Assembly.....	1	32	660638003	Muffler Bolt (10-24 x 2-1/8 in.)	2
15	308675021	Fuel Tank and Cap Assembly.....	1	33	308863003	Electrical Lead Wire Assembly.....	1
16	660970002	Screw (M4)	3	34	850108002	Ignition Module	1
17	660454001	Bolt (M5 x 70 mm).....	2	35	660968001	Screw (M4 x 19 mm)	2
18	518766001	Air Box Base	1				