

RYOBI TP30 GAS PRUNER MODEL NO.  
RY52502 RY52903

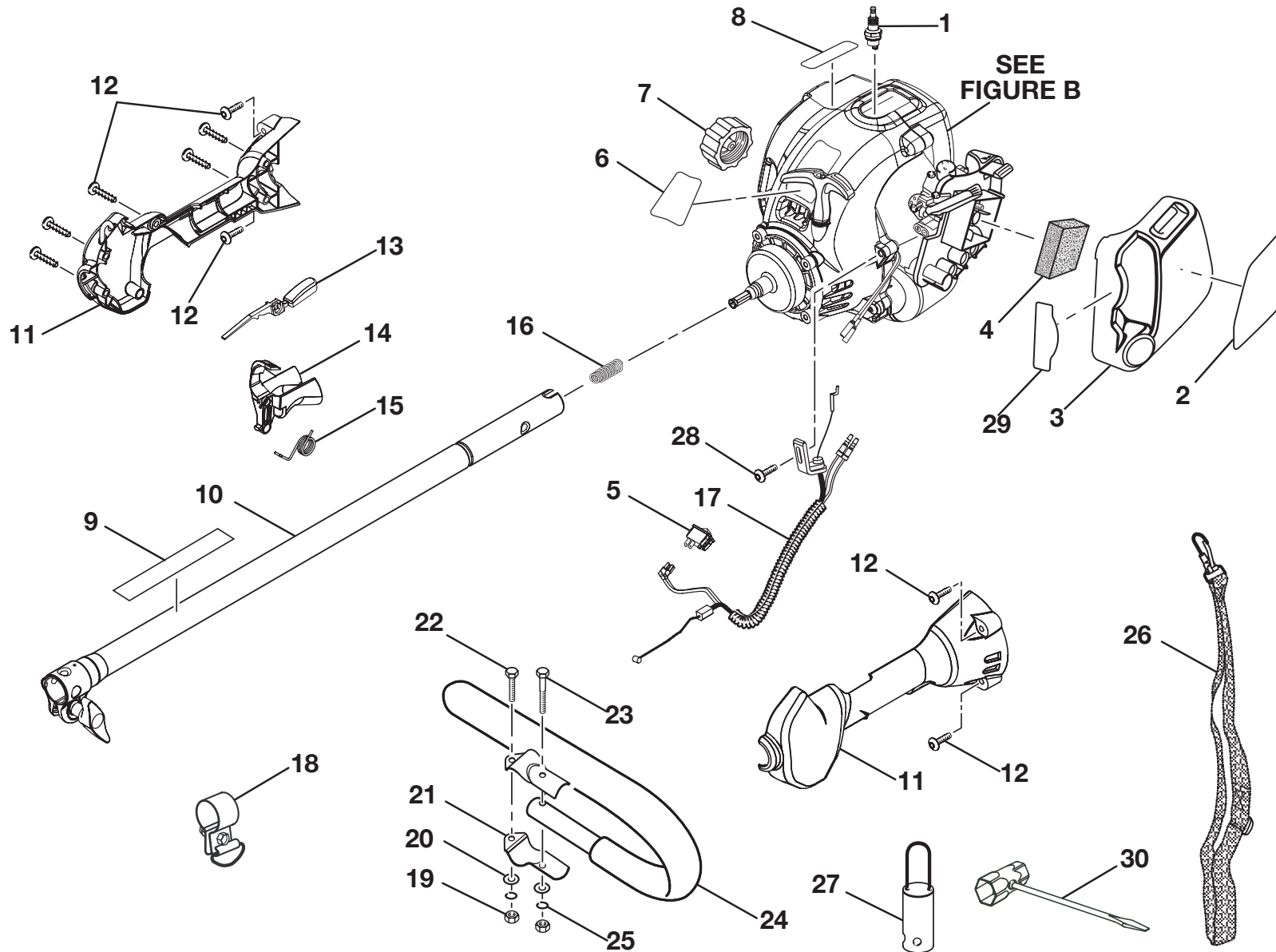


Figure A

**RYOBI TP30 GAS PRUNER MODEL NO.  
RY52502 RY52903**

**PARTS LIST (FIGURE A)**

<b>KEY NO.</b>	<b>PART NUMBER</b>	<b>DESCRIPTION</b>	<b>QTY</b>	<b>KEY NO.</b>	<b>PART NUMBER</b>	<b>DESCRIPTION</b>	<b>QTY</b>
1	870170001	SPARK PLUG (CHAMPION RCJ4) .....	1	18	308224001	STRAP HANGER (TP30).....	1
2	940967004	STARTING LABEL.....	1	19	678016001	HEX NUT (1/4-20).....	2
3	518096001	AIR BOX COVER .....	1	20	678013001	WASHER .....	2
4	900952001	AIR FILTER ELEMENT .....	1	21	638014001	HANDLE BAR CLAMP .....	2
5	760363002	SWITCH (MOMENTARY CONTACT).....	1	22	660643002	BOLT (1/4-20 x 1 in. HEX HD.) .....	1
6	940643011	MODEL LABEL (TP30).....	1	23	660643001	BOLT (1/4-20 x 1-1/2 in. HEX HD.) .....	1
7	300758006	FUEL CAP ASSEMBLY.....	1	24	308046001	"J" HANDLE AND GRIP .....	1
8	940299600	LOGO PLATE.....	1	25	678012001	LOCK WASHER.....	2
9	940654012	WARNING DECAL (TP30).....	1	26	308487001	SHOULDER STRAP.....	1
10	000998248	UPPER BOOM ASSEMBLY (TP30).....	1	27	518019001	HANGER CAP .....	1
11	000998236	CONTROL HANDLE ASSEMBLY.....	1	28	660616001	SCREW (10-24 x 7/8 in.).....	1
12	660618002	SCREW (10-14 x 1 in.) .....	9	29	940330006	CHOKE LABEL .....	1
13	518011002	TRIGGER LOCK .....	1	30	631055006	COMBINATION WRENCH .....	1
14	518012002	TRIGGER .....	1		987000075	OPERATOR'S MANUAL	
15	678021001	TORSION SPRING .....	1		5-4-10		
16	678252001	COMPRESSION SPRING.....	1		(Rev:01)		
17	308439001	THROTTLE AND LEAD ASSEMBLY .....	1				

RYOBI TP30 GAS PRUNER MODEL NO.  
RY52502 RY52903

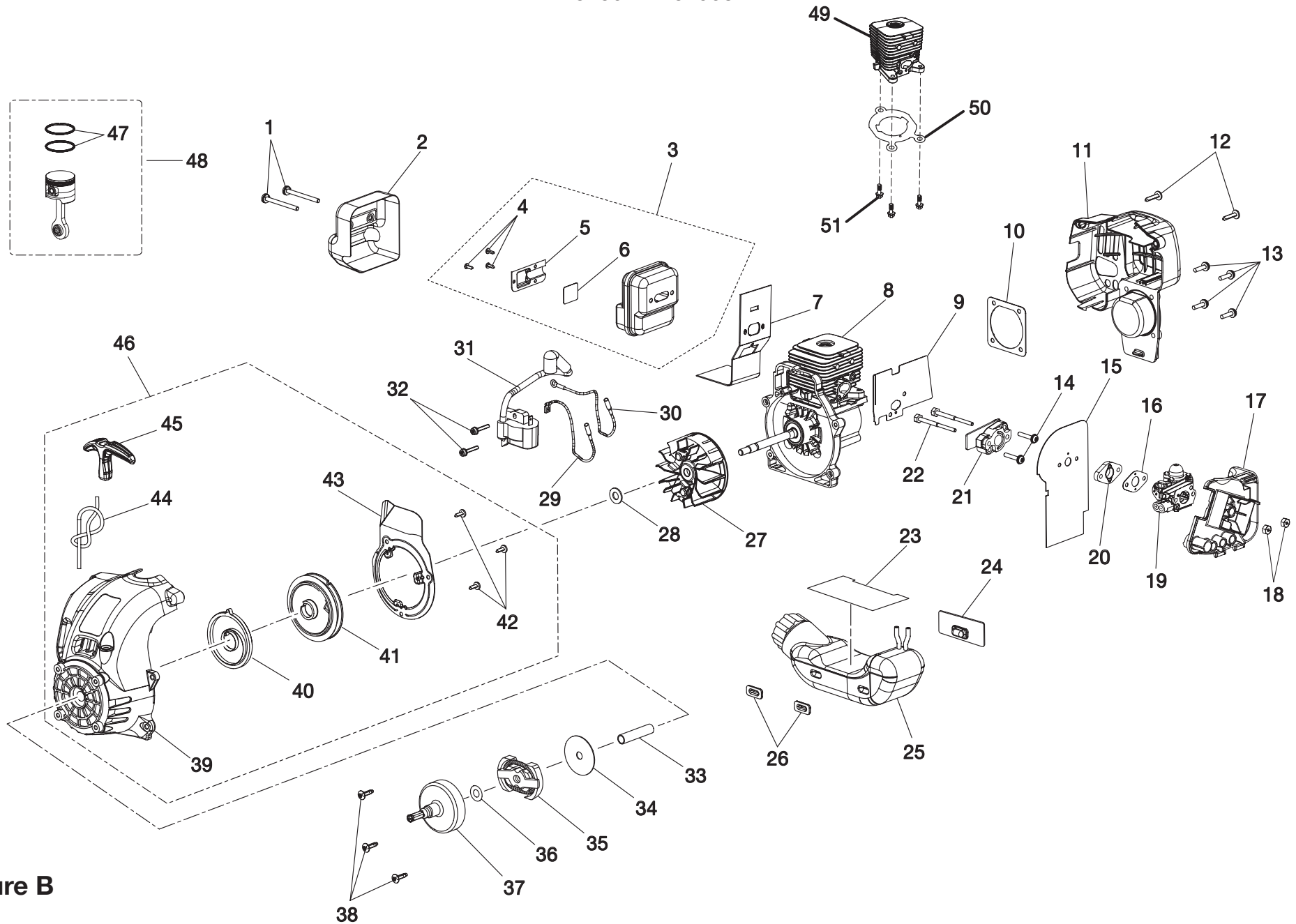


Figure B

**RYOBI TP30 GAS PRUNER MODEL NO.  
RY52502 RY52903**

**PARTS LIST (FIGURE B)**

<b>KEY NO.</b>	<b>PART NUMBER</b>	<b>DESCRIPTION</b>	<b>QTY</b>	<b>KEY NO.</b>	<b>PART NUMBER</b>	<b>DESCRIPTION</b>	<b>QTY</b>
1	660638003	SCREW (10-24 x 2-1/8 in. TORX TR. HD. ).....	2	27	308433001	ROTOR W/PAWLS ASSEMBLY.....	1
2	638094001	HEAT SHIELD.....	1	28	650017001	WASHER.....	1
3	308092008	MUFFLER ASSEMBLY.....	1	29	290222001	LEAD W/TERMINALS.....	1
4	660870001	SCREW (RECESSED PAN HD.) .....	3	30	290223001	LEAD W/TERMINALS.....	1
5	638044001	OUTLET TUBE .....	1	31	308389002	IGNITION MODULE W/3 SEC. KILL SWITCH. 1	
6	638268001	SCREEN.....	1	32	660660001	SCREW (8-32 THD FORMING) .....	2
7	900994006	MUFFLER GASKET.....	1	33	638091002	SPACER TUBE .....	1
8	308192004	SHORT BLOCK ASSEMBLY (30 cc) (EXTERNAL GASKETS NOT INCLUDED).....	1	34	638090001	WASHER (PKG).....	1
9	900994010	INTAKE GASKET .....	1	35	300960002	CLUTCH ASSEMBLY .....	1
10	900954001	COVER GASKET .....	1	36	678257001	CLUTCH WASHER.....	1
11	518107003	REAR HOUSING .....	1	37	308177001	DRUM AND CONNECTOR .....	1
12	660674001	SCREW (10-14 x 7/8 in. TRUSS HD. T.F.) .....	2	38	660630002	SCREW (10-24 x 3/4 in.).....	3
13	660638004	SCREW W/LOCK WASHER (10-24 x 3/4 in. PAN HD. TORX).....	4	39	308436001	STARTER HOUSING AND EYELET ASSEMBLY.....	1
14	660662001	SCREW (10-24 PAN HD.).....	2	40	638033001	SPRING AND CONTAINER .....	1
15	900740002	CARBURETOR GASKET.....	1	41	308374001	STARTER PULLEY ASSEMBLY.....	1
16	900994004	CARBURETOR GASKET (NON-STRATO).....	1	42	660694001	SCREW (THREAD FORMING).....	3
17	518094001	AIR FILTER BASE.....	1	43	638229001	BAFFLE/ISOLATOR.....	1
18	678027001	LOCK NUT (10-24).....	2	44	900849002	STARTER ROPE 42 (PKG).....	1
19	308054004	CARBURETOR ASSEMBLY .....	1	45	511731001	STARTER GRIP .....	1
20	590456003	SPACER .....	1	46	308194004	STARTER HOUSING ASSEMBLY .....	1
21	518070001	HEAT DAM .....	1	47	690161005	PISTON RING.....	2
22	660346002	CARBURETOR MOUNTING BOLT (#10 x 2-1/2 in.) .....	2	48	308023003	PISTON W/ROD ASSEMBLY .....	1
23	900999002	TANK INSULATION GASKET .....	1	49	640069002	CYLINDER, 30CC .....	1
24	570549001	RUBBER BUMPER .....	1	50	900953001	CYLINDER GASKET.....	1
25	308181005	FUEL TANK ASSEMBLY W/CAP.....	1	51	660342002	SCREW (M5 x 20 mm).....	3
26	570256001	BUMPER .....	2				

RYOBI TP30 GAS PRUNER MODEL NO.  
RY52502 RY52903

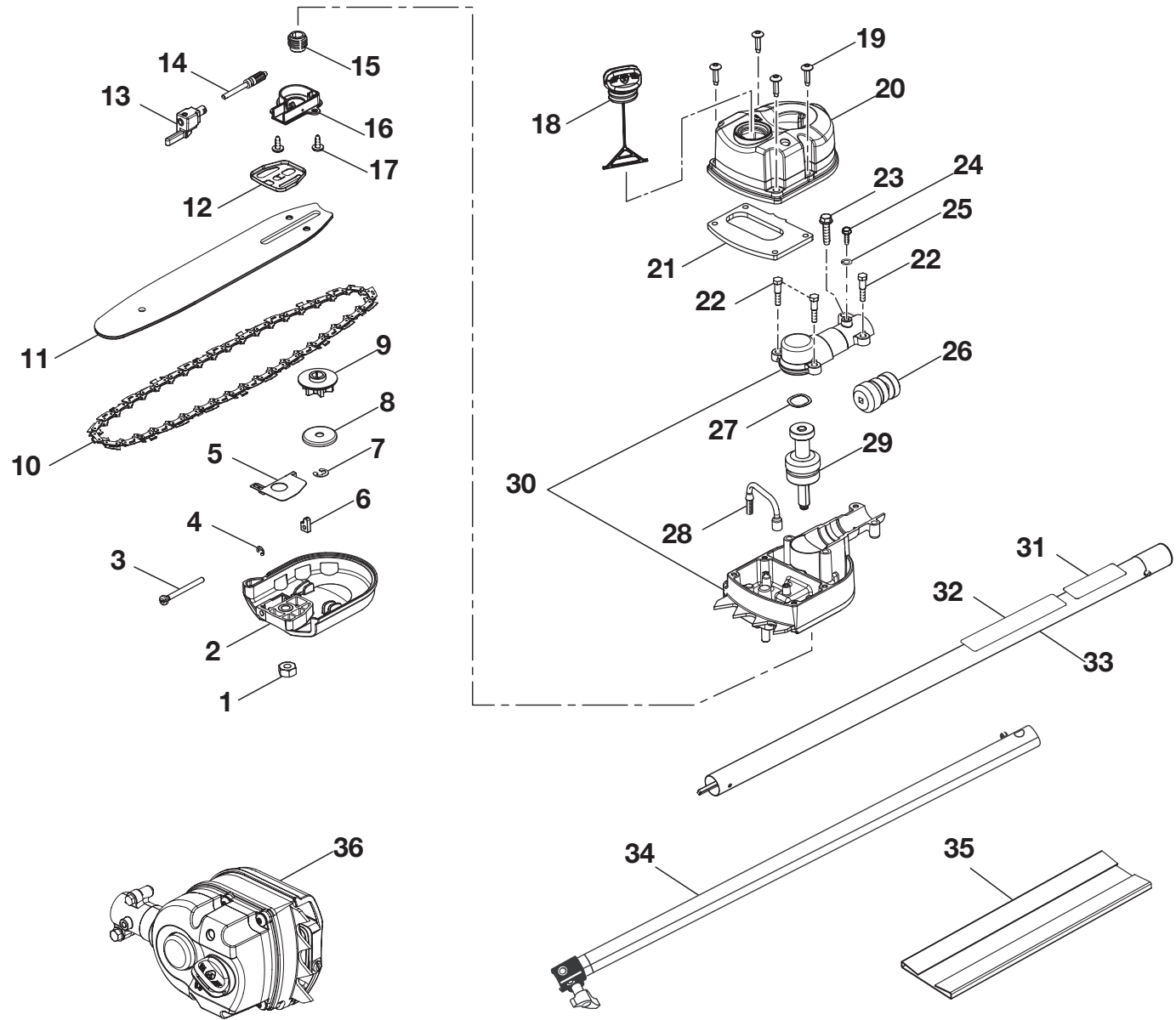


Figure C

**RYOBI TP30 GAS PRUNER MODEL NO.  
RY52502 RY52903**

**PARTS LIST (FIGURE C)**

<b>KEY NO.</b>	<b>PART NUMBER</b>	<b>DESCRIPTION</b>	<b>QTY</b>	<b>KEY NO.</b>	<b>PART NUMBER</b>	<b>DESCRIPTION</b>	<b>QTY</b>
1	090038001023	HEX NUT (M8) .....	1	20	090038001003	OIL TANK COVER ASSEMBLY .....	1
2	090038001022	BAR CLAMP ASSEMBLY .....	1	21	090038001004	OIL COVER GASKET .....	1
3	090038001024	GUIDE BAR ADJUSTMENT SCREW (M5 x 50 mm) .....	1	22	090038001005	SCREW (M5 x 25 mm, SHOULDER SCREW) .	3
4	090038001025	RETAINING RING (4 mm) .....	1	23	090038001006	SCREW (M5 x 25 mm).....	1
5	090038001026	GUIDE BAR PLATE.....	1	24	099078001030	SCREW (M5 x 15 mm).....	1
6	090038001021	GUIDE BAR ADJUSTING PIN (M5) .....	1	25	099078001031	SPRING WASHER (M5) .....	1
7	090038001020	E-RING (6 mm) .....	2	26	090038001011	PINION GEAR ASSEMBLY .....	1
8	090038001019	CUPPED WASHER.....	1	27	090038001008	WAVY WASHER .....	1
9	090038001018	SPROCKET.....	1	28	090038001009	PICK-UP TUBE ASSEMBLY .....	1
10	690583002	CHAIN (3/8, .043, 10) .....	1	29	090038001014	OUTPUT SHAFT ASSEMBLY .....	1
11	671834006	GUIDE BAR .....	1	30	090038001042	GEAR CASE AND COVER ASSEMBLY .....	1
12	090038001028	BAR PAD PLATE.....	1	31	940627024	EXPAND-IT LABEL .....	1
13	090038001029	OIL PUMP SEAL ASSEMBLY .....	1	32	940654011	WARNING LABEL.....	1
14	090038001030	OIL PINION GEAR & PLUNGER.....	1	33	308425001	PRUNER BOOM ASSEMBLY (INCLUDES KEY. NOS. 31 AND 32) .....	1
15	090038001015	WORM GEAR .....	1	34	308010006	INTERMEDIATE BOOM ASSEMBLY .....	1
16	090038001016	OIL PUMP HOUSING W/CAM PIN ASSEMBLY .	1	35	090038001032	BLADE COVER.....	1
17	090038001017	SCREW (M5 x 13 mm).....	2	36	308400002	PRUNER GEAR HEAD (INCLUDES KEY. NOS. 1-9 AND 12-30) .....	1
18	090038001001	OIL CAP WITH RETAINER (PKG.) .....	1				
19	090038001002	SCREW (M5 x 18 mm).....	4				