

RYOBI TP30 GAS PRUNER MODEL NO. RY52014

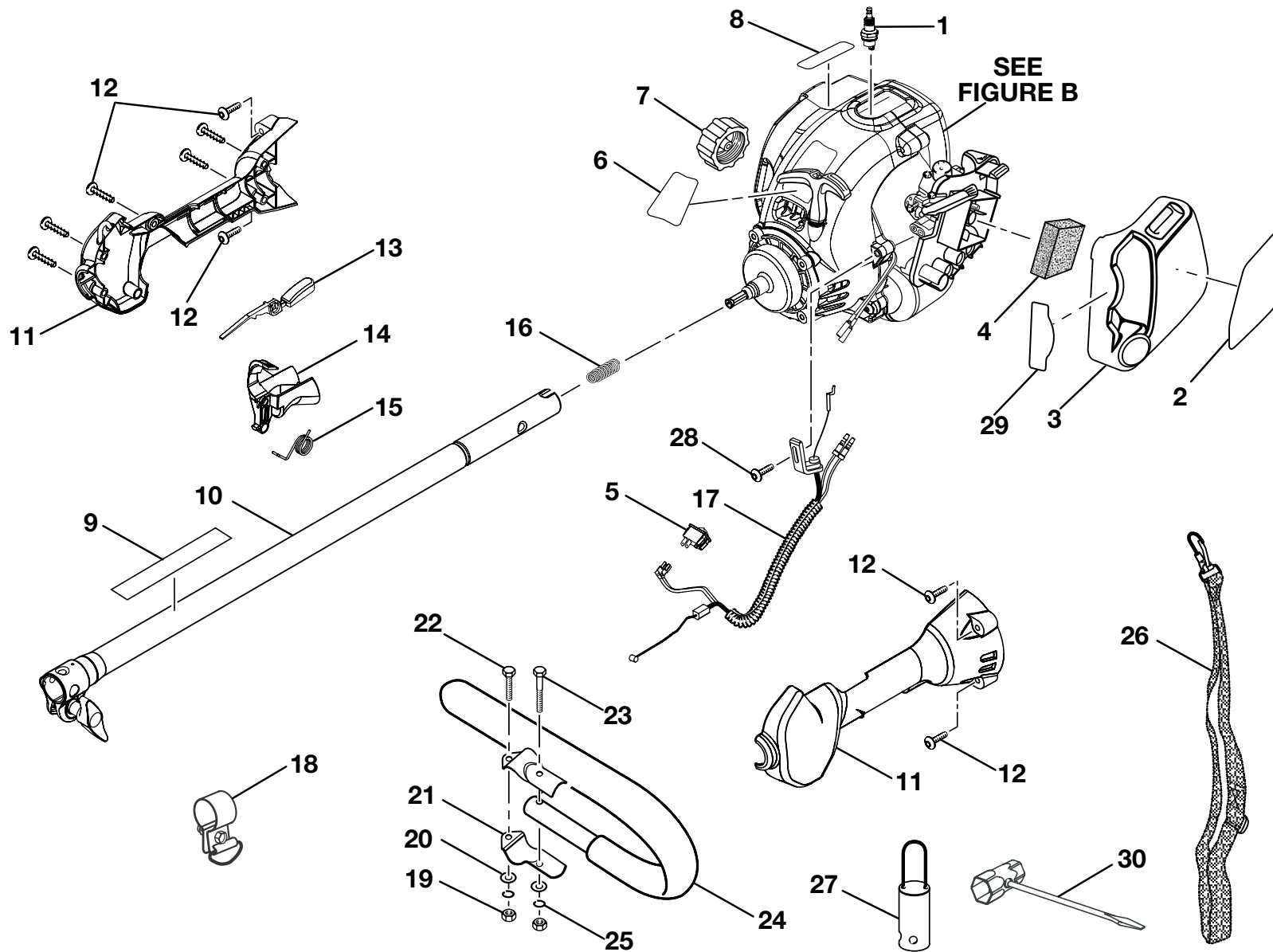


Figure A

PARTS LIST (FIGURE A)

KEY NO.	PART NUMBER	DESCRIPTION	QTY	KEY NO.	PART NUMBER	DESCRIPTION	QTY
1	870170001	* Spark Plug (Champion RCJ4).....	1	18	308224001	Strap Hanger (TP30).....	1
2	940967004	Starting Label	1	19	678016001	Hex Nut (1/4-20).....	2
3	518096001	Air Box Cover	1	20	678013001	Washer	2
4	900952001	Air Filter Element	1	21	638014001	Handle Bar Clamp	2
5	760363002	Switch (Momentary Contact).....	1	22	660643002	Bolt (1/4-20 X 1 In. Hex Hd.)	1
6	940643011	Model Label (TP30).....	1	23	660643001	Bolt (1/4-20 X 1-1/2 In. Hex Hd.)	1
7	300758006	Fuel Cap Assembly.....	1	24	308046001	“J” Handle And Grip	1
8	940299600	Logo Plate	1	25	678012001	Lock Washer.....	2
9	940654012	Warning Decal (TP30).....	1	26	308487001	Shoulder Strap.....	1
10	000998248	Upper Boom Assembly (TP30).....	1	27	518019001	Hanger Cap	1
11	000998236	Control Handle Assembly.....	1	28	660616001	Screw (10-24 X 7/8 In.).....	1
12	660618002	Screw (10-14 X 1 In.).....	9	29	940330006	Choke Label	1
13	518011002	Trigger Lock.....	1	30	631055006	Combination Wrench.....	1
14	518012002	Trigger.....	1		Not Shown:		
15	678021001	Torsion Spring.....	1		983000882	Operator’s Manual (961031001)	1
16	678252001	Compression Spring.....	1		5-25-10		
17	308439001	Throttle And Lead Assembly	1		(REV:01)		

* STANDARD HARDWARE ITEM – MAY BE PURCHASED LOCALLY

RYOBI TP30 GAS PRUNER MODEL NO. RY52014

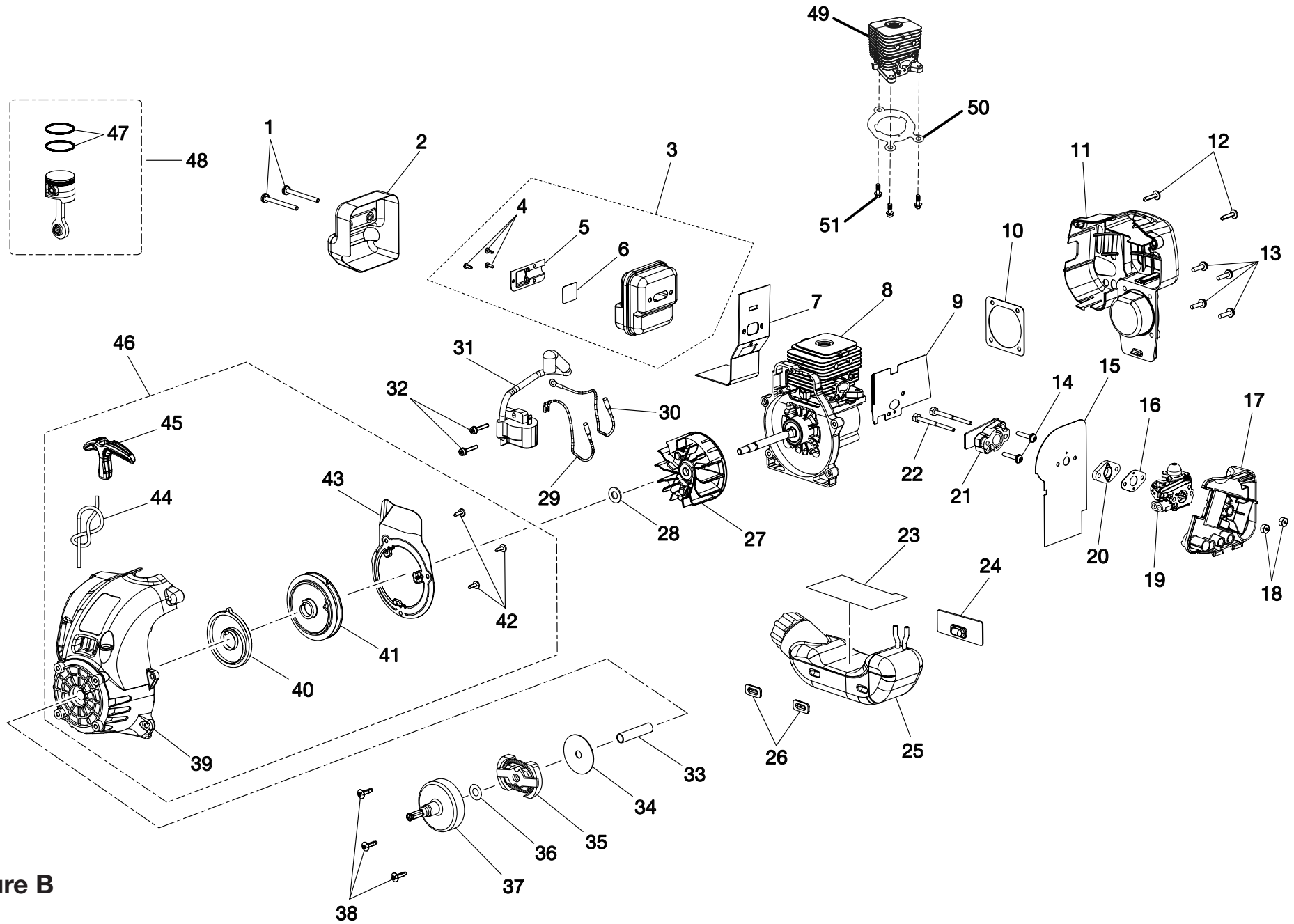


Figure B

PARTS LIST (FIGURE B)

KEY NO.	PART NUMBER	DESCRIPTION	QTY	KEY NO.	PART NUMBER	DESCRIPTION	QTY
1	660638003	Screw (10-24 X 2-1/8 In. Torx TR. HD.)	2	26	570256001	Bumper	2
2	638094001	Heat Shield	1	27	308433001	Rotor w/Pawls Assembly	1
3	308092008	Muffler Assembly	1	28	650017001	Washer	1
4	660870001	Screw (Recessed Pan HD.)	3	29	290222001	Lead w/Terminals	1
5	638044001	Outlet Tube	1	30	290223001	Lead w/Terminals	1
6	638268001	Screen	1	31	308389002	Ignition Module w/3 Sec. Kill Switch	1
7	900994006	Muffler Gasket	1	32	660660001	Screw (8-32 Thd Forming)	2
8	308192004	Short Block Assembly (30 Cc) (External Gaskets Not Included)	1	33	638091002	Spacer Tube	1
9	900994010	Intake Gasket	1	34	638090001	Washer (PKG)	1
10	900954001	Cover Gasket	1	35	300960002	Clutch Assembly	1
11	518107003	Rear Housing	1	36	678257001	Clutch Washer	1
12	660674001	Screw (10-14 X 7/8 In. Truss HD. T.F.)	2	37	308177001	Drum And Connector	1
13	660638004	Screw w/Lock Washer (10-24 X 3/4 In. Pan Hd. Torx)	4	38	660630002	Screw (10-24 X 3/4 In.)	3
14	660662001	Screw (10-24 Pan HD.)	2	39	308436001	Starter Housing And Eyelet Assembly	1
15	900740002	Carburetor Gasket	1	40	638033001	Spring And Container	1
16	900994004	Carburetor Gasket (Non-Strato)	1	41	308374001	Starter Pulley Assembly	1
17	518094001	Air Filter Base	1	42	660694001	Screw (Thread Forming)	3
18	678027001	Lock Nut (10-24)	2	43	638229001	Baffle/Isolator	1
19	308054004	Carburetor Assembly	1	44	900849002	Starter Rope 42 (PKG)	1
20	590456003	Spacer	1	45	511731001	Starter Grip	1
21	518070001	Heat Dam	1	46	308194004	Starter Housing Assembly	1
22	660346002	Carburetor Mounting Bolt (10 X 2-1/2 In.)	2	47	690161005	Piston Ring	2
23	900999002	Tank Insulation Gasket	1	48	308023003	Piston w/Rod Assembly	1
24	570549001	Rubber Bumper	1	49	640069002	Cylinder, 30CC	1
25	308181005	Fuel Tank Assembly w/Cap	1	50	900953001	Cylinder Gasket	1
				51	660342002	Screw (M5 X 20 Mm)	3

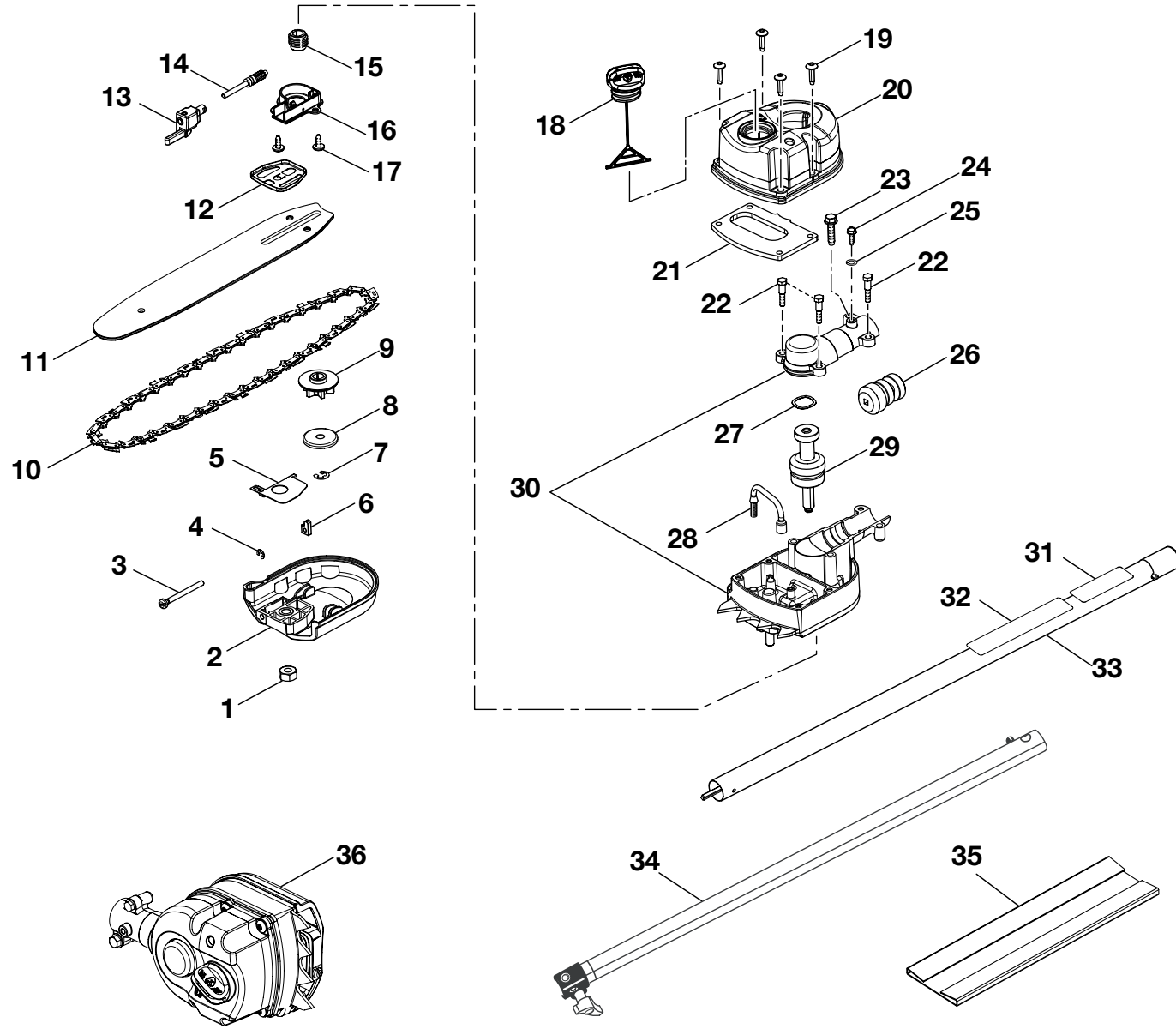


Figure C

PARTS LIST (FIGURE C)

KEY NO.	PART NUMBER	DESCRIPTION	QTY	KEY NO.	PART NUMBER	DESCRIPTION	QTY
1	090038001023	Hex Nut (M8).....	1	20	090038001003	Oil Tank Cover Assembly.....	1
2	090038001022	Bar Clamp Assembly	1	21	090038001004	Oil Cover Gasket	1
3	090038001024	Guide Bar Adjustment Screw (M5 X 50 Mm)	1	22	090038001005	Screw (M5 X 25 Mm, Shoulder Screw)	3
4	090038001025	Retaining Ring (4 Mm)	1	23	090038001006	Screw (M5 X 25 Mm)	1
5	090038001026	Guide Bar Plate	1	24	099078001030	Screw (M5 X 15 Mm)	1
6	090038001021	Guide Bar Adjusting Pin (M5)	1	25	099078001031	Spring Washer (M5)	1
7	090038001020	E-Ring (6 Mm)	2	26	090038001011	Pinion Gear Assembly	1
8	090038001019	Cupped Washer.....	1	27	090038001008	Wavy Washer	1
9	090038001018	Sprocket	1	28	090038001009	Pick-Up Tube Assembly	1
10	690583002	Chain (3/8, .043, 10)	1	29	090038001014	Output Shaft Assembly	1
11	671834006	Guide Bar.....	1	30	090038001042	Gear Case And Cover Assembly	1
12	090038001028	Bar Pad Plate.....	1	31	940627024	Expand-It Label	1
13	090038001029	Oil Pump Seal Assembly	1	32	940654011	Warning Label.....	1
14	090038001030	Oil Pinion Gear & Plunger.....	1	33	308425001	Pruner Boom Assembly (Includes Key. Nos. 31 And 32).....	1
15	090038001015	Worm Gear	1	34	308010006	Intermediate Boom Assembly	1
16	090038001016	Oil Pump Housing W/Cam Pin Assembly.....	1	35	090038001032	Blade Cover.....	1
17	090038001017	Screw (M5 X 13 Mm)	2	36	308400002	Pruner Gear Head (Includes Key. Nos. 1-9 And 12-30)	1
18	090038001001	Oil Cap With Retainer (Pkg.)	1				
19	090038001002	Screw (M5 X 18 Mm)	4				