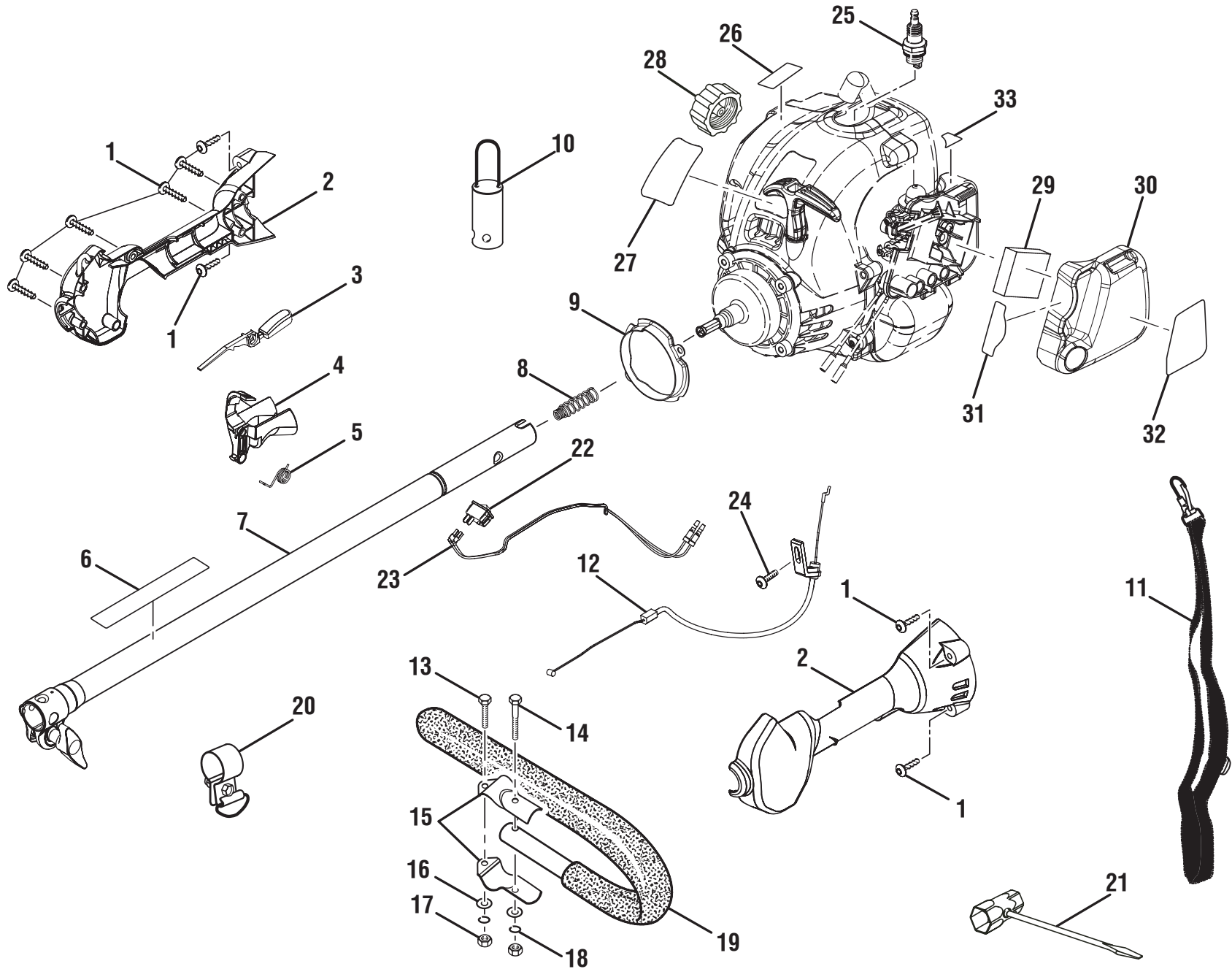


RYOBI TP30 GAS PRUNER - MODEL NOS. RY52003 AND RY52003A



RYOBI TP30 GAS PRUNER – MODEL NOS. RY52003 AND RY52003A

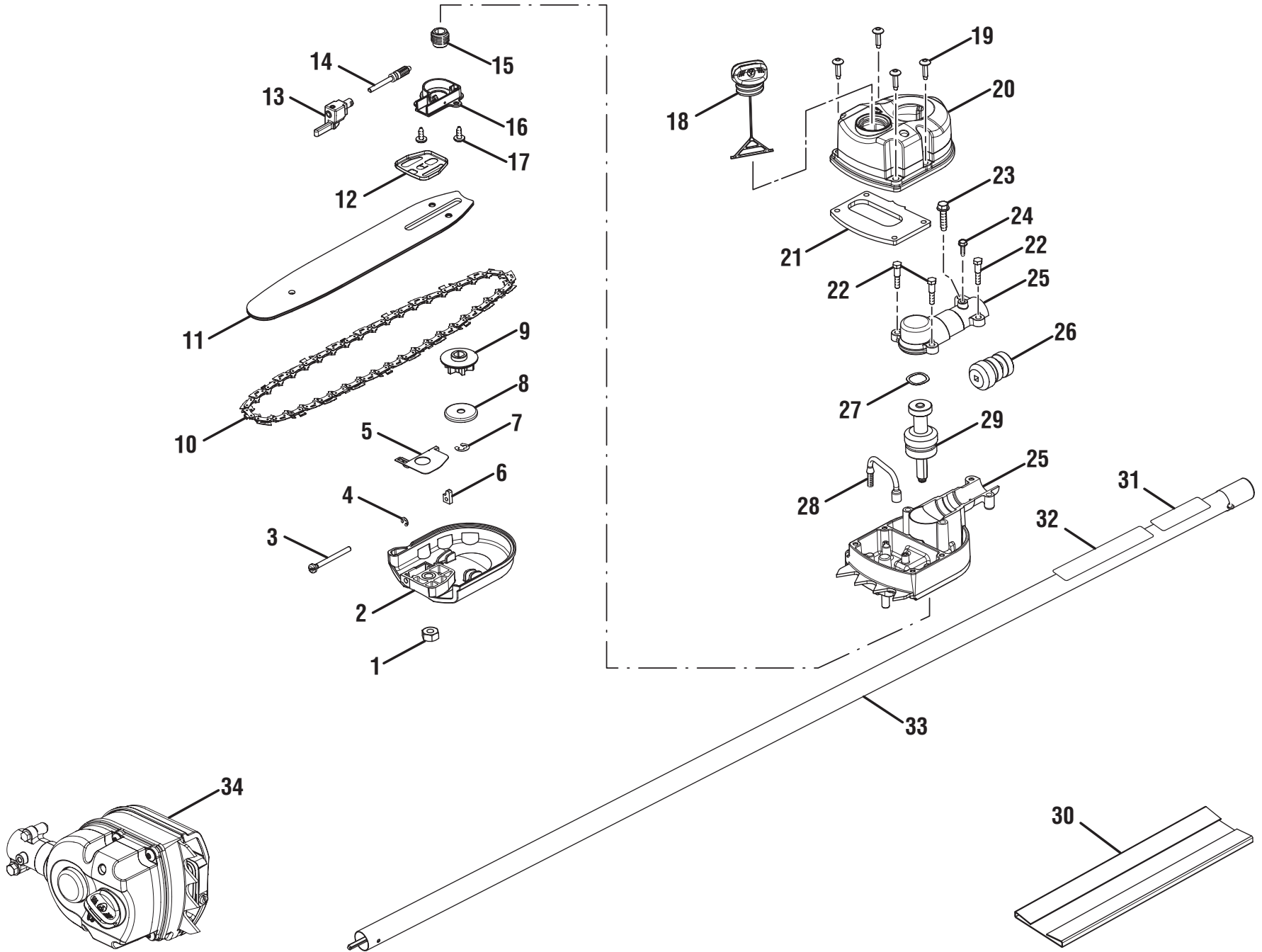
The model number will be found on a plate attached to the engine housing. Always mention the model number in all correspondence regarding your **GAS PRUNER** or when ordering replacement parts.

PARTS LIST

| KEY NO. | PART NUMBER | DESCRIPTION | QTY |
|---------|-------------|---|-----|
| 1 | 82589 | * SCREW (10-14 X 1 in. T.F. TRUSS HD.)..... | 9 |
| 2 | 985382001 | HANDLE ASSEMBLY | 1 |
| 3 | PS06258 | TRIGGER LOCK | 1 |
| 4 | PS06259 | TRIGGER..... | 1 |
| 5 | PS01718 | TORSION SPRING | 1 |
| 6 | 986174001 | WARNING LABEL | 1 |
| 7 | 985384003 | BOOM ASSEMBLY (INC. KEY NO. 6) | 1 |
| 8 | 986493001 | COMPRESSION SPRING | 1 |
| 9 | 985835001 | RING GUARD..... | 1 |
| 10 | PS02155 | STORAGE END CAP..... | 1 |
| 11 | 944701 | SHOULDER STRAP | 1 |
| 12 | PS01177 | THROTTLE CABLE ASSEMBLY..... | 1 |
| 13 | 82496 | * BOLT (1/4-20 X 1 in. HEX HD.)..... | 1 |
| 14 | 82278 | * BOLT (1/4-20 X 1-1/2 in. HEX HD.) | 1 |
| 15 | 00422 | HANDLE BAR CLAMP | 2 |
| 16 | 84004 | WASHER | 2 |
| 17 | 81242 | * HEX NUT (1/4-20)..... | 2 |
| 18 | 83009 | * LOCK WASHER | 2 |
| 19 | A08130 | J HANDLE AND GRIP | 1 |
| 20 | 07255 | STRAP HANGER..... | 1 |
| 21 | 09207 | COMBINATION WRENCH..... | 1 |
| 22 | PS02764 | SWITCH (MOMENTARY CONTACT) | 1 |
| 23 | PA00387 | LEAD ASSEMBLY | 1 |
| 24 | 82538 | SCREW | 1 |
| 25 | PS02227 | * SPARK PLUG (CHAMPION RCJ6Y OR NGK BPM R7) | 1 |
| 26 | 985157001 | LOGO LABEL | 1 |
| 27 | 986176001 | MODEL LABEL..... | 1 |
| 28 | 300758006 | FUEL CAP ASSEMBLY | 1 |
| 29 | 98760 | AIR FILTER | 1 |
| 30 | PS02309 | AIR BOX COVER | 1 |
| 31 | 985593001 | CHOKE DECAL | 1 |
| 32 | 985592001 | STARTING LABEL | 1 |
| 33 | 985595001 | PRIMER LABEL..... | 1 |
| | 983000637 | OPERATOR'S MANUAL | |
| | 983000637R | REPAIR SHEET (REV:02) | |
| | 05-03-06 | | |

* STANDARD HARDWARE ITEM – MAY BE PURCHASED LOCALLY

RYOBI TP30 GAS PRUNER - MODEL NOS. RY52003 AND RY52003A



RYOBI TP30 GAS PRUNER – MODEL NOS. RY52003 AND RY52003A

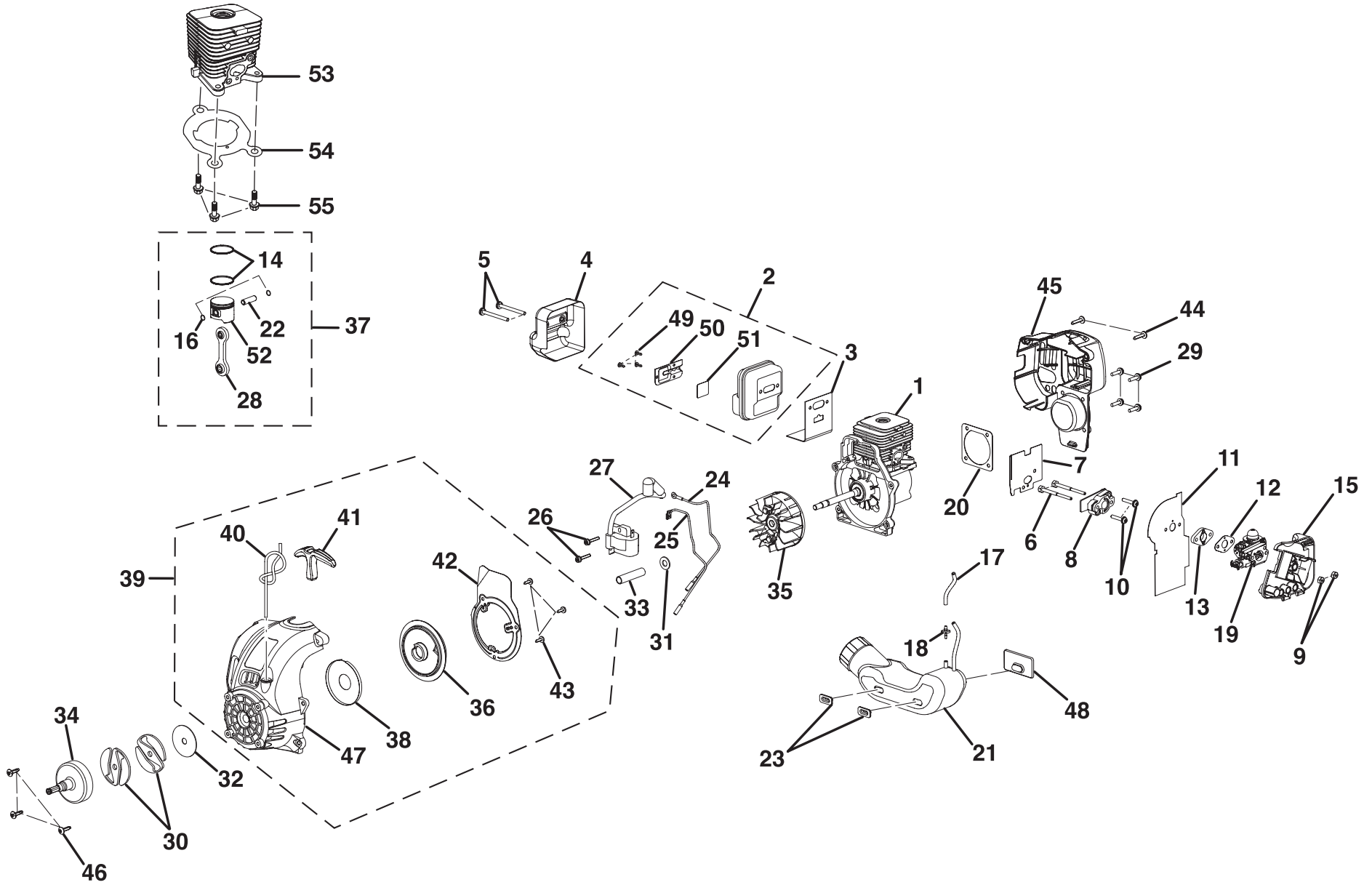
The model number will be found on a plate attached to the engine housing. Always mention the model number in all correspondence regarding your **GAS PRUNER** or when ordering replacement parts.

PARTS LIST

| KEY NO. | PART NUMBER | DESCRIPTION | QTY |
|---------|--------------|--|-----|
| 1 | 986163001 | * HEX NUT (M8)..... | 1 |
| 2 | PA01333 | BAR CLAMP ASSEMBLY..... | 1 |
| 3 | 986164001 | GUIDE BAR ADJUSTMENT SCREW (M5 X 50 mm)..... | 1 |
| 4 | 986165001 | * RETAINING RING (4 mm)..... | 1 |
| 5 | PS04974 | GUIDE BAR PLATE..... | 1 |
| 6 | 986185001 | GUIDE BAR ADJUSTING PIN..... | 1 |
| 7 | 986162001 | * E-RING (6 mm)..... | 1 |
| 8 | 04939A | CUPPED WASHER..... | 1 |
| 9 | 985224001 | SPROCKET..... | 1 |
| 10 | PS03873 | CHAIN (3/8, .043, 10)..... | 1 |
| 11 | 983872002 | GUIDE BAR..... | 1 |
| 12 | PS04554 | BAR PAD PLATE..... | 1 |
| 13 | 986166001 | OIL PUMP SEAL ASSEMBLY..... | 1 |
| 14 | 985221001 | OIL PINION GEAR & PLUNGER..... | 1 |
| 15 | 985223001 | WORM GEAR..... | 1 |
| 16 | 986160001 | OIL PUMP HOUSING W/CAM PIN ASSEMBLY..... | 1 |
| 17 | 986161001 | * SCREW (M5 X 3 mm)..... | 2 |
| 18 | A07591 | OIL CAP WITH RETAINER (PKG.)..... | 1 |
| 19 | 985895001 | * SCREW (M5 X 18 mm)..... | 4 |
| 20 | 985896001 | OIL TANK COVER ASSEMBLY..... | 1 |
| 21 | 985265001 | OIL COVER GASKET..... | 1 |
| 22 | 986155001 | * SCREW (M5 X 25 mm, SHOULDER SCREW)..... | 3 |
| 23 | 986158001 | * SCREW (M5 X 25 mm)..... | 1 |
| 24 | PS05449 | * SCREW (10-24 X 5/8 in. HEX WASHER HD. TRI-LOBULAR)..... | 1 |
| 25 | 090038001042 | GEAR CASE & COVER ASSEMBLY..... | 1 |
| 26 | 985252001 | PINION GEAR ASSEMBLY..... | 1 |
| 27 | 985262001 | WAVY WASHER..... | 1 |
| 28 | PA01487 | PICK-UP TUBE ASSEMBLY..... | 1 |
| 29 | 985253001 | OUTPUT SHAFT ASSEMBLY..... | 1 |
| 30 | 983606001 | BLADE COVER..... | 1 |
| 31 | 985165001 | EXPAND-IT LABEL..... | 1 |
| 32 | 986173001 | WARNING LABEL..... | 1 |
| 33 | 986186001 | PRUNER BOOM ASSEMBLY (55 in.) (INC. KEY NOS. 31 AND 32)..... | 1 |
| 34 | 986172001 | PRUNER GEAR HEAD (INC. KEY. NOS. 1-9 AND 12-30)..... | 1 |

* STANDARD HARDWARE ITEM – MAY BE PURCHASED LOCALLY

RYOBI TP30 GAS PRUNER - MODEL NOS. RY52003 AND RY52003A



RYOBI TP30 GAS PRUNER – MODEL NOS. RY52003 AND RY52003A

The model number will be found on a plate attached to the engine housing. Always mention the model number in all correspondence regarding your **GAS PRUNER** or when ordering replacement parts.

PARTS LIST

| KEY NO. | PART NUMBER | DESCRIPTION | QTY. | KEY NO. | PART NUMBER | DESCRIPTION | QTY. |
|---------|-------------|---|------|---------|-------------|---|------|
| 1 | 985873001 | SHORT BLOCK ASSEMBLY | 1 | 29 | 984812001 | * SCREW (10-24 X 3/4 in. PAN HD.) | 4 |
| 2 | 308092008 | MUFFLER ASSEMBLY (INC. KEY NOS. 49-51) | 1 | 30 | 00242 | CLUTCH | 2 |
| 3 | 984760001 | MUFFLER GASKET | 1 | 31 | PS05268 | WASHER | 1 |
| 4 | 984743001 | HEAT SHIELD | 1 | 32 | 98929A | WASHER | 1 |
| 5 | 88083 | * SCREW (TORX HD.) | 2 | 33 | PS05267 | SPACER | 1 |
| 6 | 660346002 | BOLTS | 2 | 34 | PA01613 | DRUM & CONNECTOR | 1 |
| 7 | 984762001 | HEAT DAM GASKET | 1 | 35 | 986153001 | ROTOR AND PAWL ASSEMBLY | 1 |
| 8 | 98768A | HEAT DAM | 1 | 36 | 308374001 | PULLEY ASSEMBLY | 1 |
| 9 | 81208 | LOCK NUT (10-24) | 2 | 37 | 985871001 | PISTON ASSEMBLY (INC. KEY NOS. 14, 16, 22, 28 AND 52) | 1 |
| 10 | 093221 | * SCREW (TORX PAN HD.) | 2 | 38 | A98773A | SPRING & CONTAINER | 1 |
| 11 | 9074002 | CARBURETOR GASKET | 1 | 39 | 985544001 | COMPLETE STARTER ASSEMBLY (INC. KEY NOS. 36, 38, 40-43 AND 47) | 1 |
| 12 | 98766A | CARBURETOR GASKET | 1 | 40 | 9789902 | STARTER ROPE | 1 |
| 13 | 5945603 | SPACER | 1 | 41 | PS06114 | STARTER GRIP | 1 |
| 14 | 03179 | PISTON RING 30CC | 2 | 42 | 984837001 | BAFFLE | 1 |
| 15 | PS02113 | AIR FILTER BOX | 1 | 43 | 82543 | * SCREW (8-16 X 1/2 in. THD. FORM.) | 3 |
| 16 | 65261 | RETAINING RING | 2 | 44 | 82537 | * SCREW (10-14 X 7/8 in. TORX HD.) | 2 |
| 17 | 0143910 | TUBING, RUBBER (63.5 MM) | 1 | 45 | 984829001 | REAR HOUSING | 1 |
| 18 | 985304001 | FITTING, INLINE FUEL | 1 | 46 | 82538 | * SCREW (10-24 X 3/4 in. TRUSS HD.) | 3 |
| 19 | 985624001 | CARBURETOR | 1 | 47 | PA01641 | STARTER HOUSING W/EYELET | 1 |
| 20 | 06443A | GASKET, C/C COVER | 1 | 48 | 985767001 | RUBBER BUMPER | 1 |
| 21 | PA01624 | FUEL TANK W/CAP ASSEMBLY | 1 | 49 | 984759001 | * SCREW (6-20 X 1/4 in. TRI-LOBULAR) | 3 |
| 22 | 00238A | PISTON PIN | 1 | 50 | 985596001 | OUTLET TUBE | 1 |
| 23 | 98792 | BUMPER | 2 | 51 | 984753001 | SCREEN | 1 |
| 24 | A06964 | LEAD W/TERMINALS | 1 | 52 | 985872001 | PISTON W/PINS | 1 |
| 25 | A06963 | LEAD | 1 | 53 | 985524002 | CYLINDER | 1 |
| 26 | 82540 | * SCREW (8-32 X 1 in. THREAD FORMING) | 2 | 54 | 985259001 | CYLINDER GASKET | 1 |
| 27 | 850080001 | IGNITION MODULE (W/ 3 SEC. KILL) | 1 | 55 | PS02807 | * SCREW (12-24 X 5/8 in.) | 3 |
| 28 | PA00190 | CONNECTING ROD ASSEMBLY | 1 | | | | |

* STANDARD HARDWARE ITEM – MAY BE PURCHASED LOCALLY

** STOCK ITEM – MAY BE SECURED THROUGH THE HARDWARE DEPARTMENT OF MOST HOME DEPOT STORES