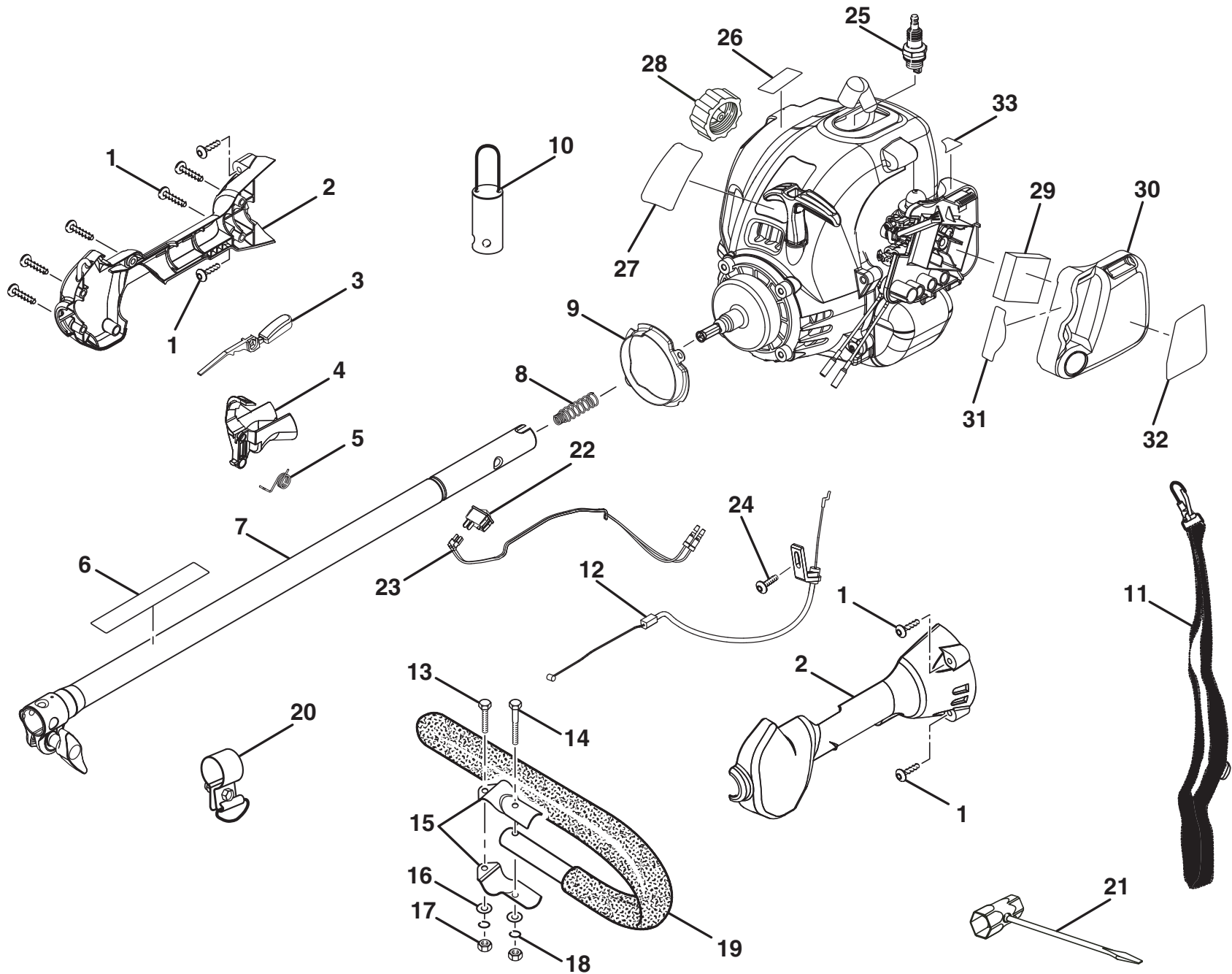


RYOBI PC30 PRUNER/TRIMMER – MODEL NO. RY52001A



## RYOBI PC30 PRUNER/TRIMMER – MODEL NO. RY52001A

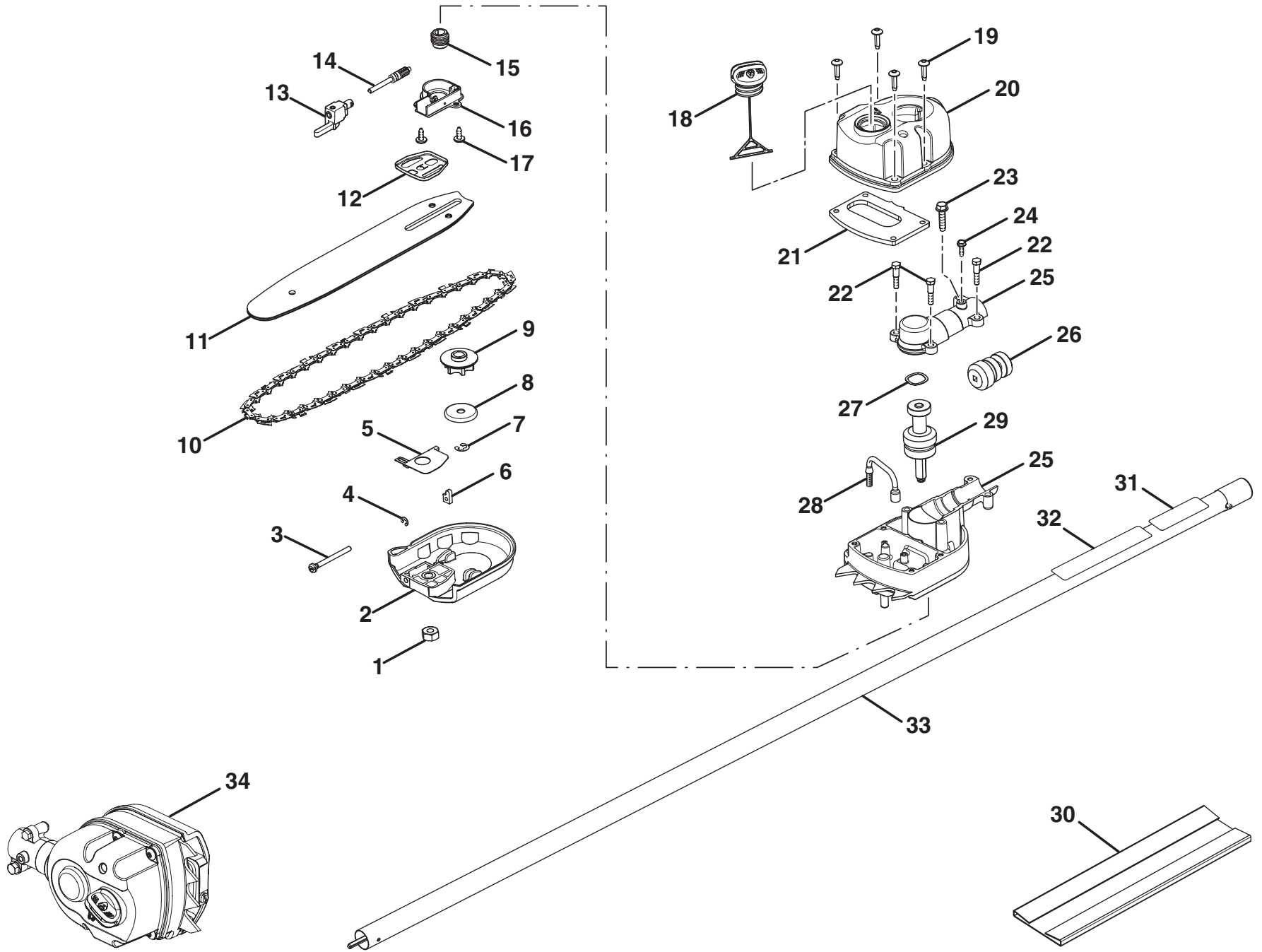
The model number will be found on a plate attached to the engine housing. Always mention the model number in all correspondence regarding your **PRUNER/TRIMMER** or when ordering replacement parts.

### PARTS LIST

KEY NO.	PART NUMBER	DESCRIPTION	QTY
1	82589	* SCREW (10-14 X 1 in. T.F. TRUSS HD.) .....	9
2	985382001	HANDLE ASSEMBLY .....	1
3	PS06258	TRIGGER LOCK .....	1
4	PS06259	TRIGGER .....	1
5	PS01718	TORSION SPRING .....	1
6	986175001	WARNING LABEL .....	1
7	985384002	BOOM ASSEMBLY (INC. KEY NO. 6) .....	1
8	PS05266	COMPRESSION SPRING .....	1
9	985835001	RING GUARD .....	1
10	PS02155	STORAGE END CAP .....	1
11	944701	SHOULDER STRAP .....	1
12	PS01177	THROTTLE CABLE ASSEMBLY .....	1
13	82496	* BOLT (1/4-20 X 1 in. HEX HD.) .....	1
14	82278	* BOLT (1/4-20 X 1-1/2 in. HEX HD.) .....	1
15	00422	HANDLE BAR CLAMP .....	2
16	84004	WASHER .....	2
17	81242	* HEX NUT (1/4-20) .....	2
18	83009	* LOCK WASHER .....	2
19	A08130	J HANDLE AND GRIP .....	1
20	07255	STRAP HANGER .....	1
21	09207	COMBINATION WRENCH .....	1
22	PS02764	SWITCH (MOMENTARY CONTACT) .....	1
23	PA00387	LEAD ASSEMBLY .....	1
24	82538	SCREW .....	1
25	PS02227	* SPARK PLUG (CHAMPION RCJ6Y OR NGK BPM R7) .....	1
26	985157001	LOGO LABEL .....	1
27	986177001	MODEL LABEL .....	1
28	A09116	FUEL CAP ASSEMBLY .....	1
29	98760	AIR FILTER .....	1
30	PS02309	AIR BOX COVER .....	1
31	985593001	CHOKE DECAL .....	1
32	985592001	STARTING LABEL .....	1
33	985595001	PRIMER LABEL .....	1
	983000743	OPERATOR'S MANUAL	
	983000743R	REPAIR SHEET (REV:00)	
	11-16-05		

\* STANDARD HARDWARE ITEM — MAY BE PURCHASED LOCALLY

RYOBI PC30 PRUNER/TRIMMER – MODEL NO. RY52001A



## RYOBI PC30 PRUNER/TRIMMER – MODEL NO. RY52001A

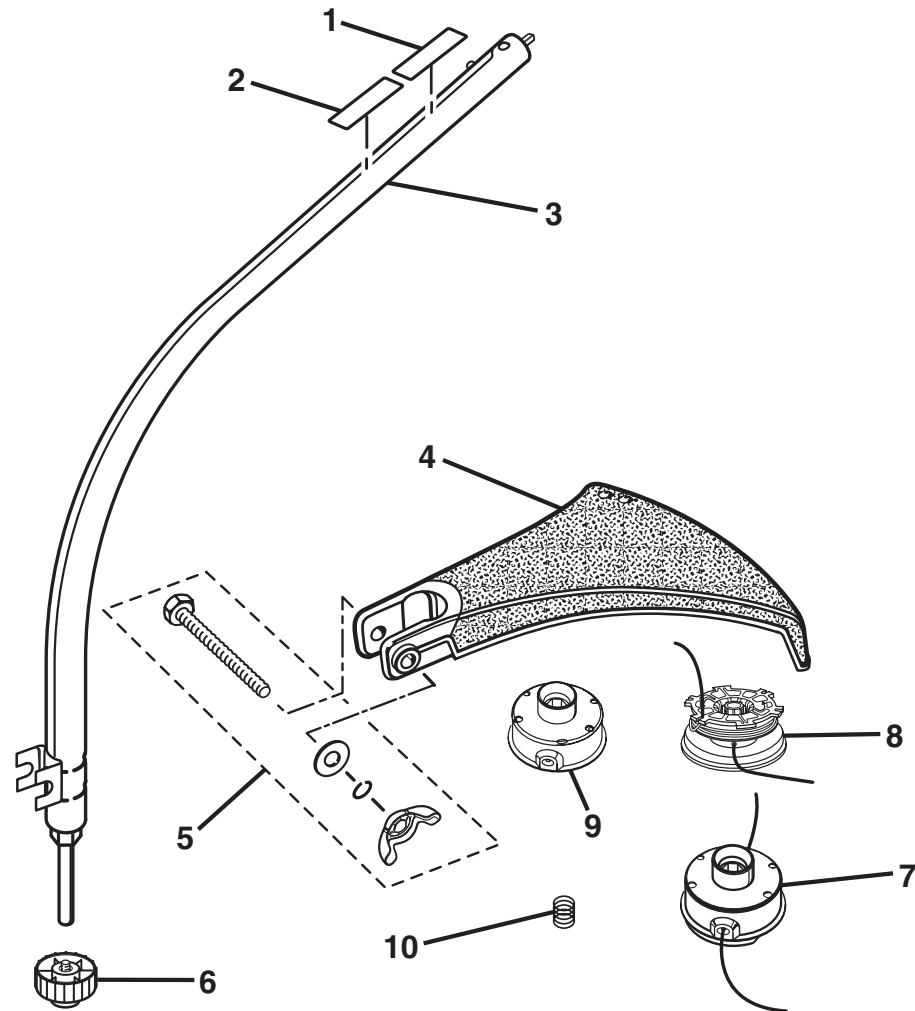
The model number will be found on a plate attached to the engine housing. Always mention the model number in all correspondence regarding your **PRUNER/TRIMMER** or when ordering replacement parts.

### PARTS LIST

KEY NO.	PART NUMBER	DESCRIPTION	QTY
1	986163001	* HEX NUT (M8).....	1
2	PA01333	BAR CLAMP ASSEMBLY .....	1
3	986164001	GUIDE BAR ADJUSTMENT SCREW (M5 X 50 mm).....	1
4	986165001	* RETAINING RING (4 mm) .....	1
5	PS04974	GUIDE BAR PLATE.....	1
6	986185001	GUIDE BAR ADJUSTING PIN.....	1
7	986162001	* E-RING (6 mm).....	1
8	04939A	CUPPED WASHER .....	1
9	985224001	SPROCKET .....	1
10	PS03873	CHAIN (3/8, .043, 10).....	1
11	983872002	GUIDE BAR.....	1
12	PS04554	BAR PAD PLATE.....	1
13	986166001	OIL PUMP SEAL ASSEMBLY .....	1
14	985221001	OIL PINION GEAR & PLUNGER .....	1
15	985223001	WORM GEAR.....	1
16	986160001	OIL PUMP HOUSING W/CAM PIN ASSEMBLY .....	1
17	986161001	* SCREW (M5 X 3 mm).....	2
18	A07591	OIL CAP WITH RETAINER (PKG.).....	1
19	985895001	* SCREW (M5 X 18 mm).....	4
20	985896001	OIL TANK COVER ASSEMBLY.....	1
21	985265001	OIL COVER GASKET .....	1
22	986155001	* SCREW (M5 X 25 mm, SHOULDER SCREW) .....	3
23	986158001	* SCREW (M5 X 25 mm).....	1
24	PS05449	* SCREW (10-24 X 1/2 in. HEX WASHER HD. TRI-LOBULAR).....	1
25	090038001042	GEAR CASE & COVER ASSEMBLY .....	1
26	985252001	PINION GEAR ASSEMBLY .....	1
27	985262001	WAVY WASHER.....	1
28	PA01487	PICK-UP TUBE ASSEMBLY .....	1
29	985253001	OUTPUT SHAFT ASSEMBLY .....	1
30	983606001	BLADE COVER .....	1
31	985165001	EXPAND-IT LABEL .....	1
32	986173001	WARNING LABEL .....	1
33	986186001	PRUNER BOOM ASSEMBLY (55 in.) (INC. KEY. NOS. 31 AND 32) .....	1
34	986172001	PRUNER GEAR HEAD (INC. KEY. NOS. 1-9 AND 12-30) .....	1

\* STANDARD HARDWARE ITEM — MAY BE PURCHASED LOCALLY

RYOBI PC30 PRUNER/TRIMMER – MODEL NO. RY52001A



**RYOBI PC30 PRUNER/TRIMMER – MODEL NO. RY52001A**

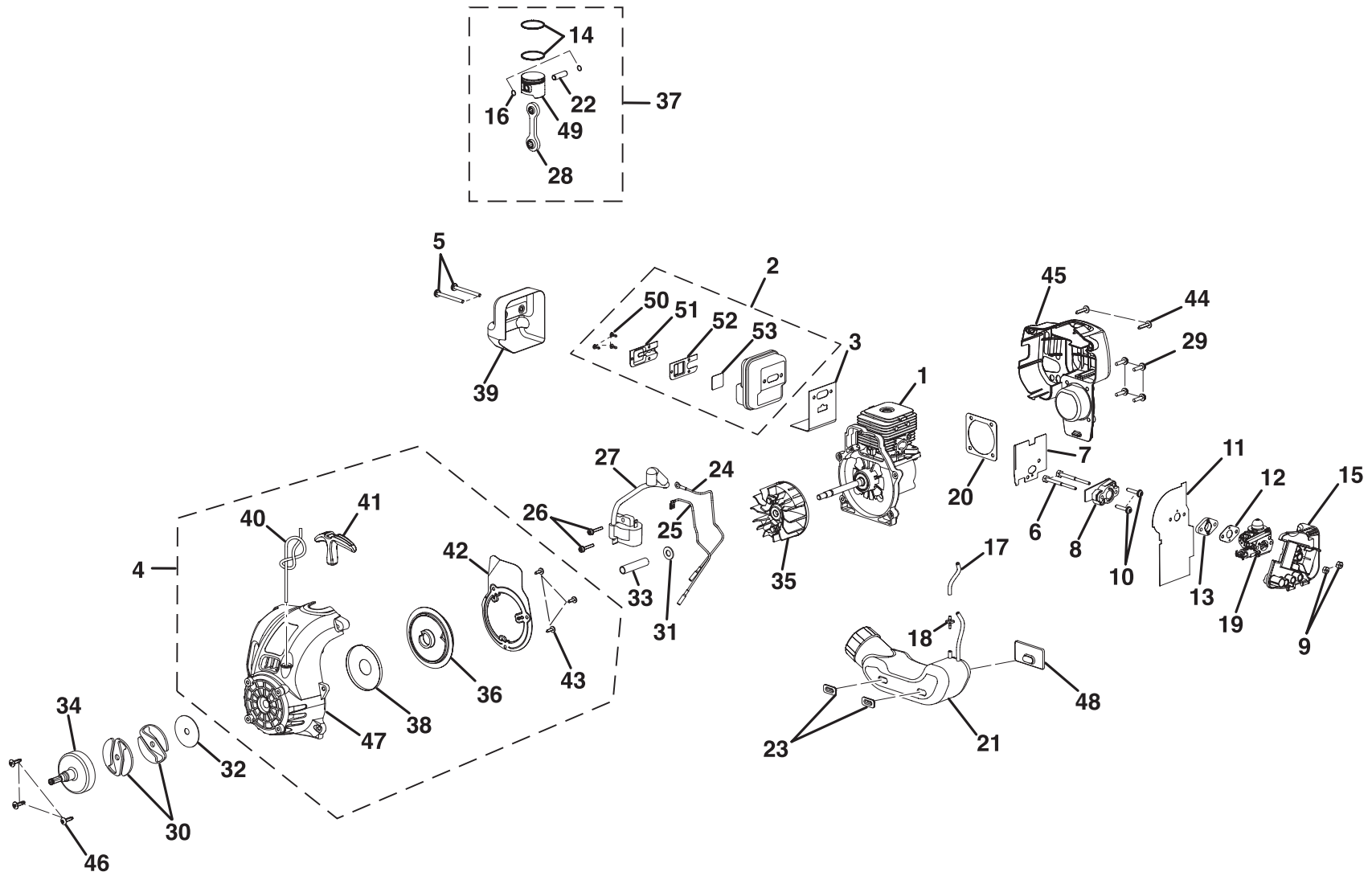
The model number will be found on a plate attached to the engine housing. Always mention the model number in all correspondence regarding your **PRUNER/TRIMMER** or when ordering replacement parts.

**PARTS LIST**

<b>KEY NO.</b>	<b>PART NUMBER</b>	<b>DESCRIPTION</b>	<b>QTY</b>
1	985165001	EXPAND-IT LABEL .....	1
2	984032002	WARNING LABEL .....	1
3	985569003	CURVED SHAFT ASSEMBLY .....	1
4	985623002	GRASS DEFLECTOR .....	1
5	PA00249	FASTENER PARTS KIT .....	1
6	A98866A	SPOOL RETAINER (RHT) (ITEM NO. AP04106) .....	1
7	AH04102	COMPLETE STRING HEAD (.080 in.) (ITEM NO. AP04114) .....	1
8	PA0387A	SPOOL AND STRING (.080 in.) (ITEM NO. AH04112) .....	1
9	A98231A	HOUSING AND EYELET .....	1
10	06713	SPRING.....	1

\* STANDARD HARDWARE ITEM — MAY BE PURCHASED LOCALLY

RYOBI PC30 PRUNER/TRIMMER – MODEL NO. RY52001A



## RYOBI PC30 PRUNER/TRIMMER – MODEL NO. RY52001A

The model number will be found on a plate attached to the engine housing. Always mention the model number in all correspondence regarding your **PRUNER/TRIMMER** or when ordering replacement parts.

### PARTS LIST

KEY NO.	PART NUMBER	DESCRIPTION	QTY.	KEY NO.	PART NUMBER	DESCRIPTION	QTY.
1	984867001	SHORT BLOCK ASSEMBLY .....	1	28	PA00190	CONNECTING ROD ASSEMBLY .....	1
2	985611001	MUFFLER ASSEMBLY (CAT.).....	1	29	984812001	* SCREW (10-24 X .75 in. PAN HD. TORX).....	4
3	984760001	MUFFLER GASKET .....	1	30	00242	CLUTCH .....	2
4	985544001	COMPLETE STARTER ASSEMBLY (INC. KEY NOS. 36, 38, 40-43 AND 47).....	1	31	PS05268	WASHER.....	1
5	88083	* SCREW (TORX HD. SEMS).....	2	32	98929A	WASHER.....	1
6	6634602	BOLTS .....	2	33	PS05267	SPACER.....	1
7	984762001	HEAT DAM GASKET.....	1	34	PA01613	DRUM & CONNECTOR .....	1
8	98768A	HEAT DAM.....	1	35	986153001	ROTOR AND PAWL ASSEMBLY .....	1
9	81208	LOCK NUT HX 10-24.....	2	36	984832002	STARTER PULLEY.....	1
10	093221	* SCREW (TORX PAN HD. SEMS) .....	2	37	984868001	PISTON ASSEMBLY (INCL. KEY NO. 14, 16, 22, 28 AND 49) .....	1
11	9074002	CARBURETOR GASKET.....	1	38	A98773A	SPRING & CONTAINER.....	1
12	98766A	CARBURETOR GASKET.....	1	39	984743001	HEAT SHEILD (CAT.) .....	1
13	5945603	SPACER.....	1	40	9789902	STARTER ROPE .....	1
14	985607001	PISTON RING 30CC .....	2	41	PS06114	STARTER GRIP.....	1
15	PS02113	BOX AIR FILTER CONEHEAD .....	1	42	984837001	BAFFLE.....	1
16	65261	RETAINING RING .....	2	43	82543	* SCREW (8-16 X .5 in. THD. FORM. ).....	3
17	0143910	TUBING, RUBBER (63.5 MM).....	1	44	82537	* SCREW (10-14 X .875 in. THD. FORM. ) .....	2
18	985304001	FITTING, INLINE FUEL .....	1	45	984829001	REAR HOUSING.....	1
19	985624001	CARBURETOR, ZAMA .....	1	46	82538	SCREW (ST-155) .....	3
20	06443A	GASKET, C/C COVER .....	1	47	PA01641	STARTER HOUSING W/EYELET .....	1
21	PA00116	FUEL TANK ASSEMBLY.....	1	48	985767001	RUBBER BUMPER .....	1
22	00238A	PISTON PIN .....	1	49	984376001	PISTON W/PINS .....	1
23	98792	BUMPER.....	2	50	984759001	* SCREW (6-20 X .25 in. TRI-LOBULAR).....	3
24	A06964	LEAD W/TERMINALS .....	1	51	984757001	OUTLET TUBE .....	1
25	A06963	LEAD .....	1	52	984755001	SCREEN PLATE.....	1
26	82540	* SCREW (8-32 X 1 in. THREAD FORMING).....	2	53	984753001	SCREEN.....	1
27	850080001	IGNITION MODULE (W/ 3 SEC. KILL) .....	1				

\* STANDARD HARDWARE ITEM – MAY BE PURCHASED LOCALLY

\*\* STOCK ITEM – MAY BE SECURED THROUGH THE HARDWARE DEPARTMENT OF MOST HOME DEPOT STORES