

RYOBI
40 Volt Snow Blower
Item No. RY40806
Mfg. Number 107836001
Repair Sheet

TECHTRONIC INDUSTRIES POWER EQUIPMENT

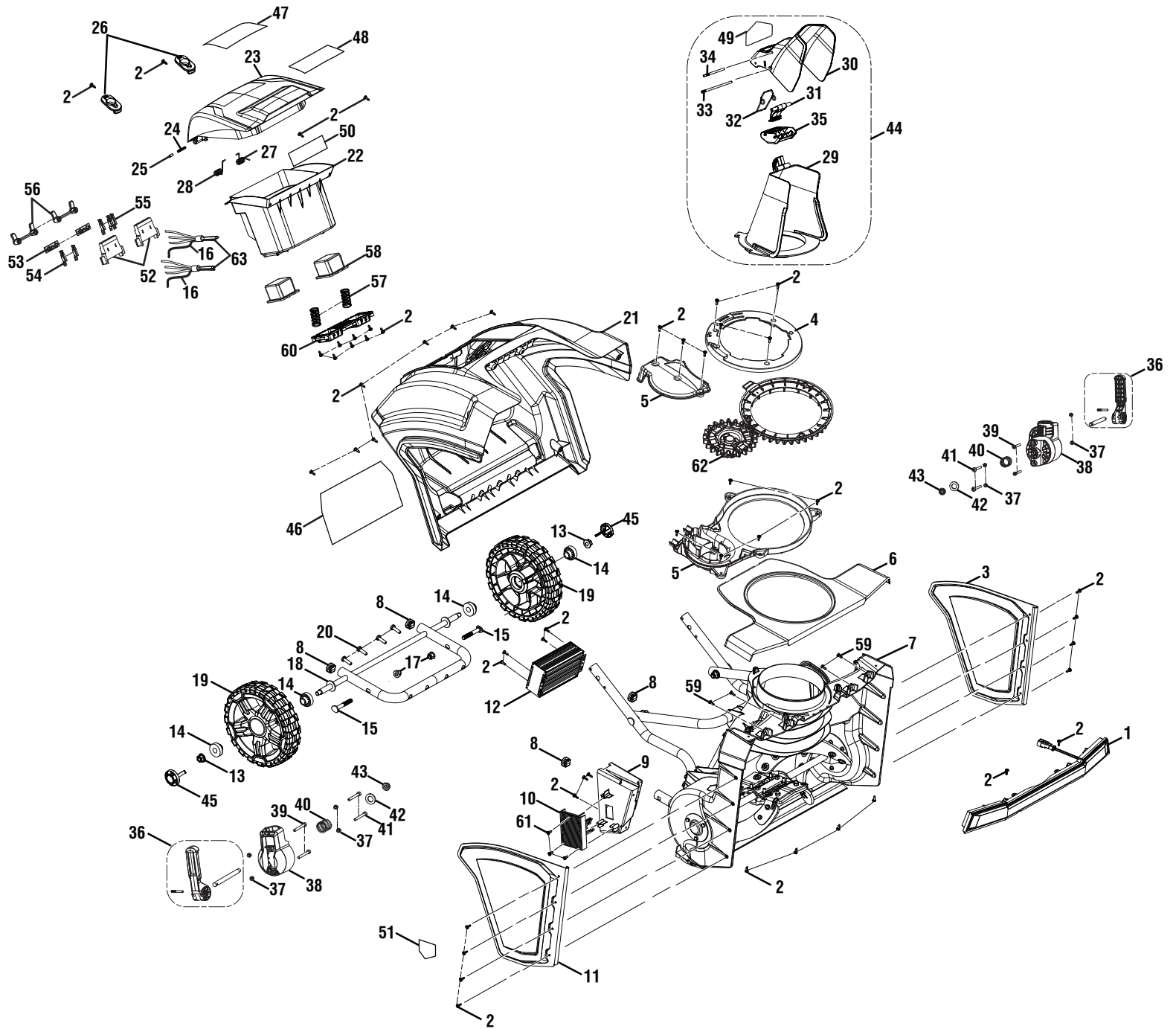
P.O. Box 1288, Anderson, SC 29622

Phone 1-800-860-4050

www.ryobitools.com

RYOBI SNOW BLOWER – ITEM NUMBER RY40806

FIGURE A



RYOBI SNOW BLOWER – ITEM NUMBER RY40806

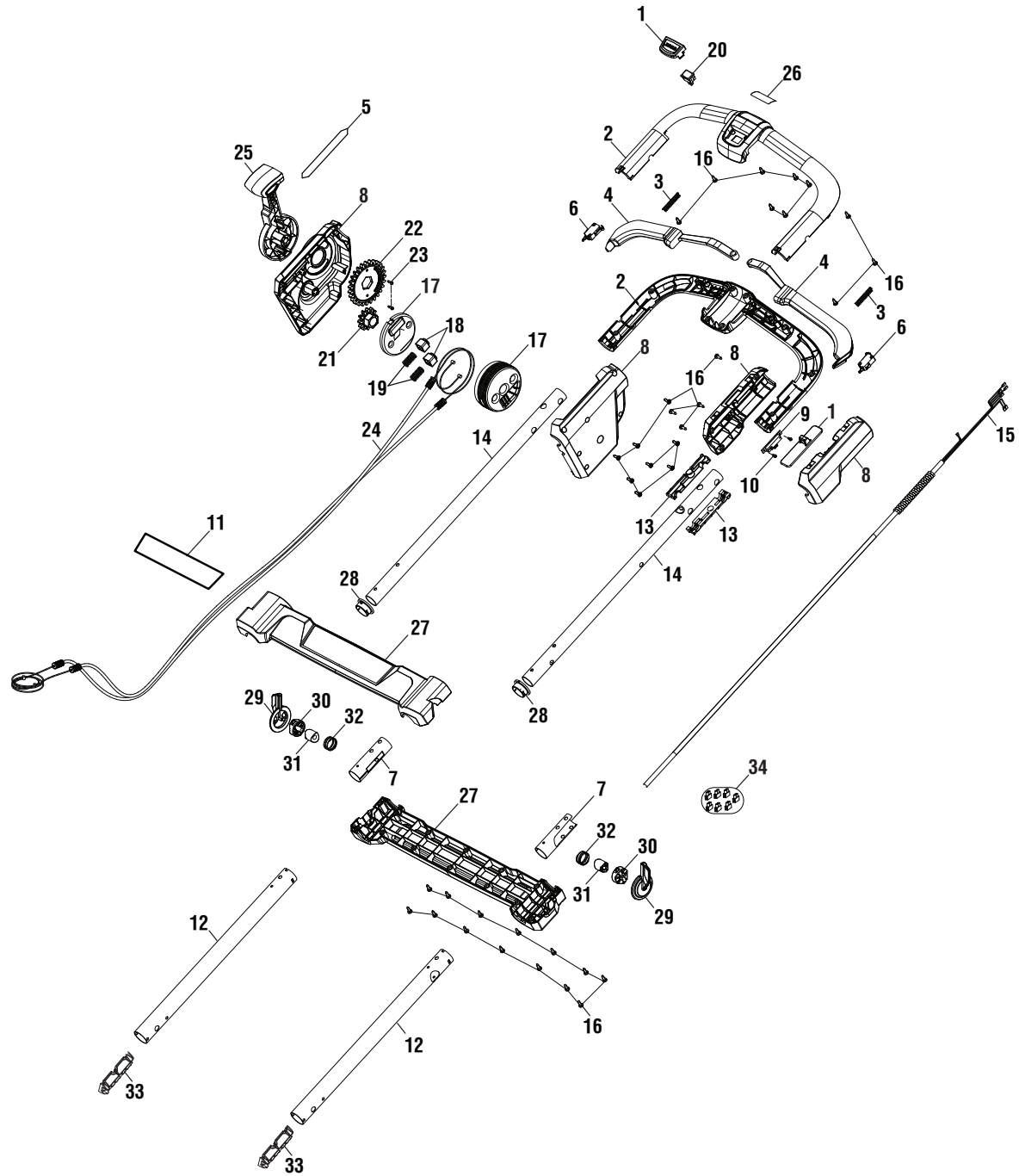
The item number and manufacturing number will be found on a label attached to the unit. Always mention the item number and manufacturing number in all correspondence regarding your **SNOW BLOWER** or when ordering repair parts.

PARTS LIST – FIGURE A

KEY NO.	PART NUMBER	DESCRIPTION	QTY	KEY NO.	PART NUMBER	DESCRIPTION	QTY
1	315043001	LED Light Assembly	1	35	537743001	Button	1
2	660608001	Screw (M4 x 12 mm, T20 Torx Soc. Hd.).....	52	36	315816001	Cam Latch Assembly	2
3	658280001	Left Side Cover.....	1	37	670974003	Lock Nut (M5)	8
4	537736001	Chute Rotation Bezel.....	1	38	315808001	Knuckle Assembly	2
5	315817001	Chute Rotation Assembly.....	1	39	660347003	Cap Screw (M5 x 45 mm, T25 Torx Soc Hd.)	4
6	537727001	Top Housing Cover	1	40	696920001	Compression Spring.....	2
7	N/A	Auger Housing Assembly (See Figure C)	1	41	662466001	Screw (M5 x 35 mm, T25 Torx Pan Hd.).....	4
8	529330001	Plug.....	4	42	678889003	Washer (ID12.5 x OD24 x t2)	2
9	315820001	Mount Assembly (See Figure C, Inc Key No. 17)	1	43	690689001	Flange Hex Nut (M8).....	2
10	280865001	Battery Controller	1	44	315813001	Chute Deflector Assembly w/Label (Inc. Key Nos. 29-35).....	1
11	315805001	Right Side Cover Assembly (Inc. Key No. 51) ...	1	45	535063001	Wheel Hub	2
12	280400007	Brushless Motor Controller.....	1	46	941588393	Data/Warning Icons Label	1
13	662082001	Lock Nut (3/8-16 in.).....	2	47	941588394	Battery Notice Label.....	1
14	538520001	Wheel Spacer	4	48	941588395	Logo Label (Battery Cover).....	1
15	662339001	Bolt (M8 x 60 mm, Pan Hd.)	2	49	941588400	Chute Warning Icons Label	1
16	292162001	Ground Cable	2	50	941588401	Recommended Battery Usage Label	1
17	678774012	Flange Lock Nut (M8 x 1.25 mm)	2	51	941641001	No Hands/Feet Danger Label.....	1
18	314993001	Axle and Lower Frame Assembly	1	52	525692001	Contact Holder	2
19	313618001	Wheel.....	2	53	525651001	Battery Cover Connector.....	2
20	664004003	Screw (1/4-15, T30 Torx Pan Hd.)	4	54	638991001	Contact Plate Terminal (Small).....	2
21	315804001	Rear Cover Assembly (Inc. Key No. 46)	1	55	638991004	Contact Plate Terminal (Large).....	4
22	315812001	Battery Box Assembly (Inc. Key No. 50).....	1	56	513211003	Hold-Down Tab.....	2
23	315807001	Battery Cover Assembly (Inc. Key Nos. 47-48) .	1	57	697881001	Compression Spring.....	2
24	679073001	Compression Spring.....	1	58	537742001	Battery Ejector Post.....	2
25	621628001	Axle.....	1	59	660203001	Screw (M3 x 8 mm, Pan Hd.).....	4
26	537718001	End Cap.....	2	60	537745001	Spring Retainer.....	1
27	698023001	Torsion Spring (RH).....	1	61	661189003	Screw (M4 x 18 mm, T20 Torx Hd.)	3
28	698023002	Torsion Spring (LH)	1	62	315809001	Chute Gear Assembly.....	1
29	537741001	Upper Chute	1	63	291547004	Wire Assembly	2
30	537740001	Chute Deflector	1	Not Shown:			
31	537744001	Latch.....	1	995000844		Operator's Manual	
32	697882001	Chute Deflector Spring.....	1	9-9-19			
33	673981001	Pin (Deflector)	1	(Rev:01)			
34	673990001	Pin (Latch).....	1				

RYOBI SNOW BLOWER – ITEM NUMBER RY40806

FIGURE B



RYOBI SNOW BLOWER – ITEM NUMBER RY40806

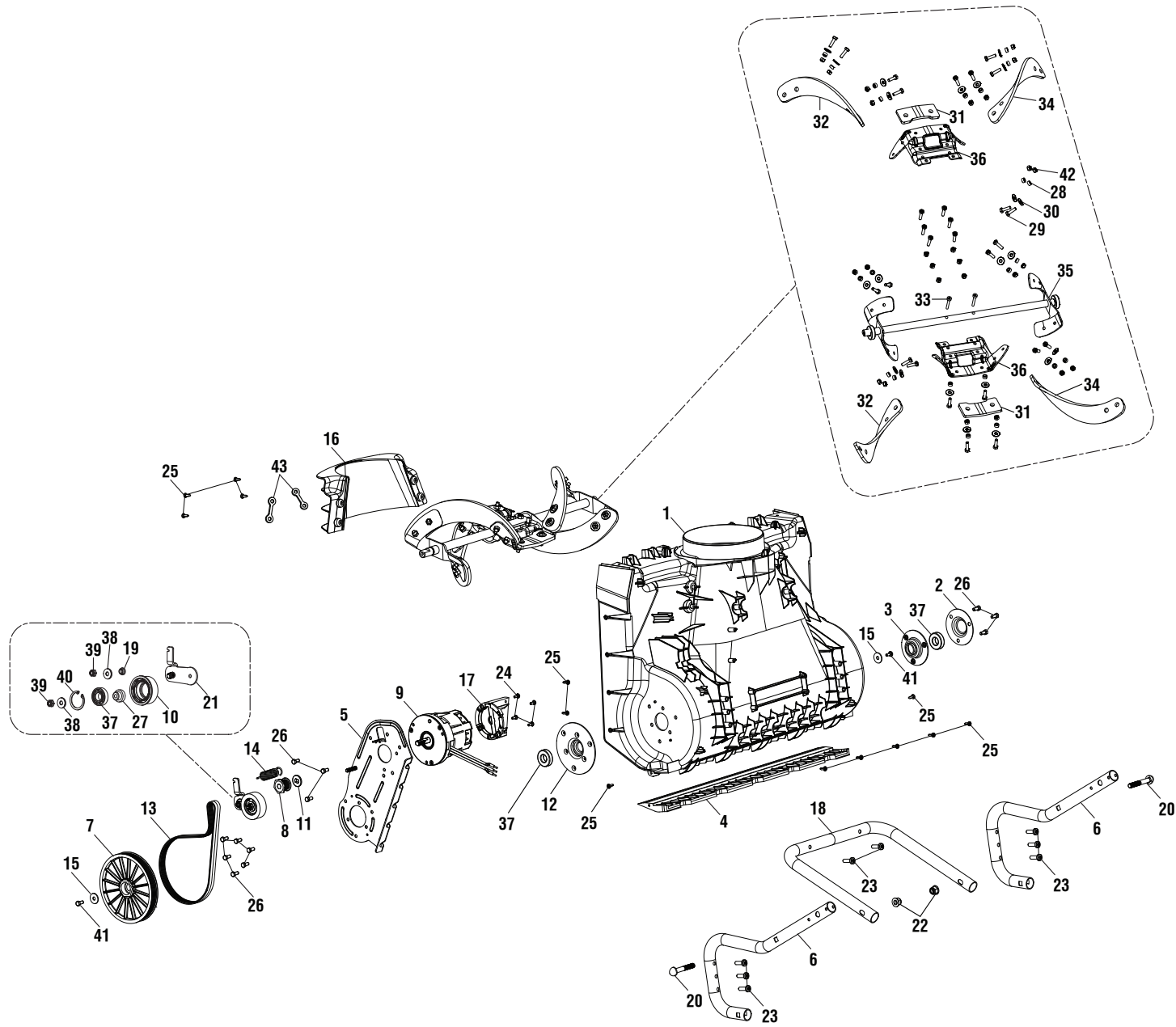
The item number and manufacturing number will be found on a label attached to the unit. Always mention the item number and manufacturing number in all correspondence regarding your **SNOW BLOWER** or when ordering repair parts.

PARTS LIST – FIGURE B

KEY NO.	PART NUMBER	DESCRIPTION	QTY	KEY NO.	PART NUMBER	DESCRIPTION	QTY
1	315819001	Switch Button Assembly	1	18	614105001	Cable Trainer Sleeve	2
2	315815001	Handle Cover Assembly (Inc. Key No. 26)	1	19	697796001	Spring.....	2
3	696926001	Compression Spring	2	20	760584003	Center Switch.....	1
4	315818001	Trigger Assembly.....	1	21	614251001	Upper Drum Gear.....	1
5	941588390	Chute Direction Label.....	1	22	614250001	Lever Gear.....	1
6	760551003	Switch	2	23	660187002	Screw (M3 x 22 mm, T10 Torx Pan Hd.)	2
7	537295001	Bushing	2	24	292112001	Control Cable Assembly.....	1
8	315811001	Chute Adjust & Speed Control Assembly	1	25	537833001	Chute Rotation Handle.....	1
9	270109001	Variable Switch.....	1	26	941588391	Starting Instructions Label	1
10	660203073	Screw (M3 x 6 mm, Pan Hd.)	2	27	315814001	Cross Bar Assembly (Inc. Key No. 11)	1
11	941588392	Logo Label (Crossbar).....	1	28	529327001	Straight Tube Bushing.....	2
12	697789001	Lower Tube.....	2	29	536916003	Handle Latch	2
13	538598001	Upper Cable Gland	2	30	536919002	Disc Holder.....	2
14	697788001	Upper Handle Tube	2	31	565045001	Compression Disc	2
15	292106001	Wire Assembly.....	1	32	697483001	Compression Spring	2
16	660608001	Screw (M4 x 12 mm, T20 Torx Soc. Hd.)	36	33	539052001	Lower Cable Bushing	2
17	315810001	Cable Drum Assembly.....	1	34	900876003	Terminal Block.....	7

RYOBI SNOW BLOWER – ITEM NUMBER RY40806

FIGURE C



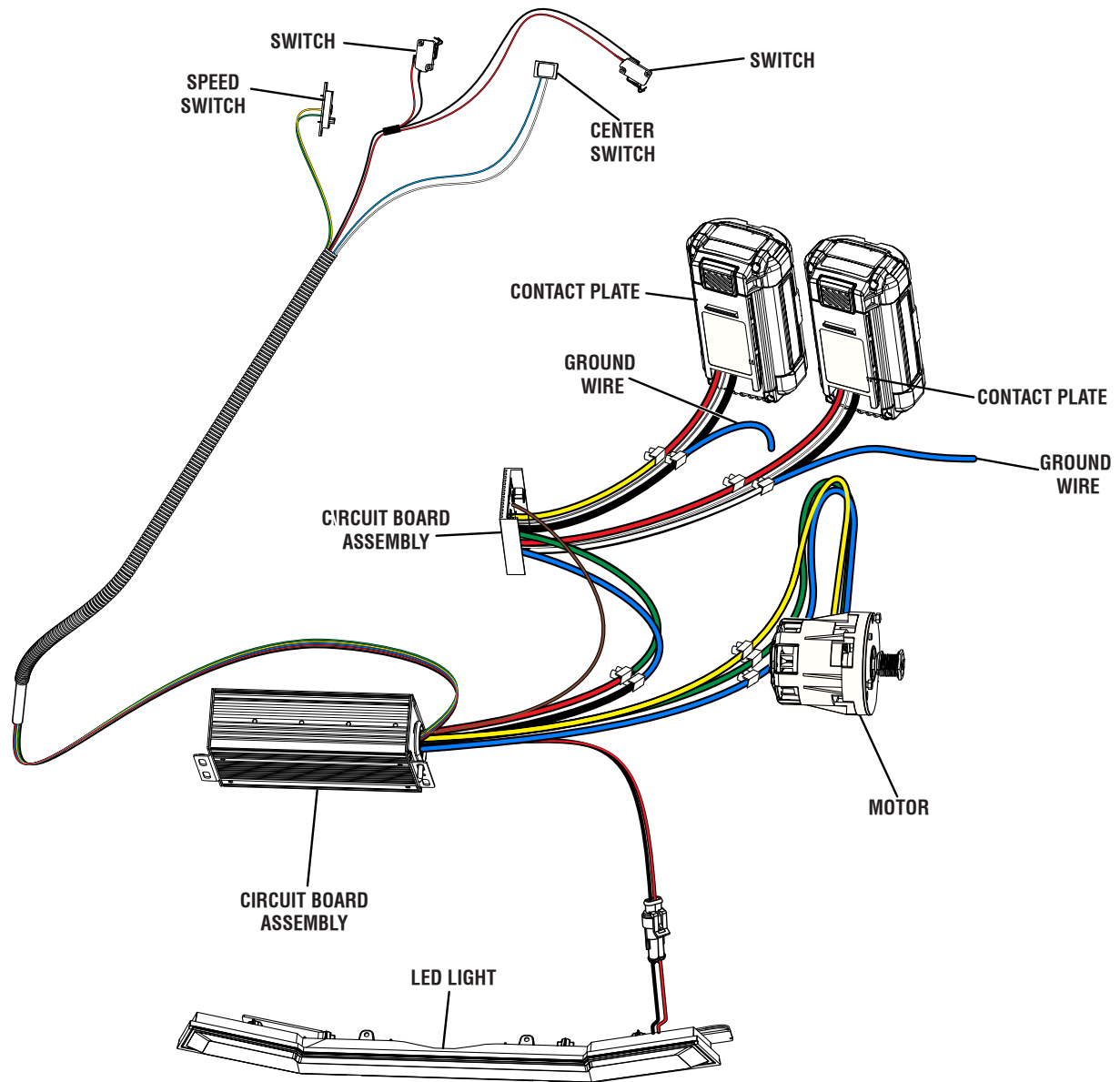
RYOBI SNOW BLOWER – ITEM NUMBER RY40806

The item number and manufacturing number will be found on a label attached to the unit. Always mention the item number and manufacturing number in all correspondence regarding your **SNOW BLOWER** or when ordering repair parts.

PARTS LIST – FIGURE C

KEY NO.	PART NUMBER	DESCRIPTION	QTY	KEY NO.	PART NUMBER	DESCRIPTION	QTY
1	537723001	Lower Housing	1	23	664004003	Screw (1/4-15 x 22 mm, T30 Torx Pan Hd.)	8
2	658277001	Cover Plate	1	24	661861004	Screw (M4 x 9.5 mm, Pan Hd.).....	4
3	658276001	Bearing Retainer.....	1	25	660608001	Screw (M4 x 12 mm, T20 Torx Soc. Hd.).....	13
4	537724001	Scraper Blade.....	1	26	660927008	Bolt (M5 x 12 mm, Hex Soc. Hd.).....	12
5	658275001	Motor Mounting Plate.....	1	27	614165001	Spacer (Idler Bracket).....	1
6	697786001	Housing Mount Tube	2	28	697795001	Auger Paddle Spacer	20
7	537737001	Auger Pulley.....	1	29	661618002	Bolt (M6 x 16 mm, Hex Soc. Hd.).....	24
8	311275002	Motor Pulley	1	30	680335079	Washer (OD18 x ID6.6 x 1.5t)	24
9	742515001	Motor	1	31	565320001	Auger Paddle (Center)	2
10	537834001	Idler Pulley	1	32	565321001	Auger Paddle (Drive Side).....	2
11	614164001	Spacer	1	33	660613004	Screw (M5 x 30 mm, T25 Torx Pan Hd.).....	2
12	658396001	Bearing Retainer Plate.....	1	34	565176001	Auger Paddle (Long Side).....	2
13	563939002	V-Belt	1	35	315336001	Flange and Shaft Assembly.....	1
14	697873001	Belt Tensioner Spring	1	36	658279001	Center Bracket	1
15	636191001	Flat Washer (ID6.6 x OD20 x 1.6t)	2	37	680071012	Ball Bearing (6002 2RS).....	3
16	538542001	Lower Chute Neck.....	1	38	680491003	Washer (OD18.8 x ID7 x 2t)	2
17	315820001	Mount Assembly (See Figure A, Inc Key No. 9).....	1	39	671243002	Nut (#1/4-20).....	2
18	658575001	Bracing Bar.....	1	40	636327001	C-Ring	1
19	614166001	Flange Washer.....	1	41	660697003	Bolt (M6 x 12 mm, T27 Torx Hd.).....	2
20	662339001	Bolt (M8 x 60 mm, Pan Hd.)	2	42	678460001	Lock Nut (M6)	26
21	658395001	Idler Bracket	1	43	529299001	Terminal Block Holder	2
22	678774012	Flange Lock Nut (M8 x 1.25 mm)	2				

RYOBI SNOW BLOWER – ITEM NUMBER RY40806



WIRING DIAGRAM