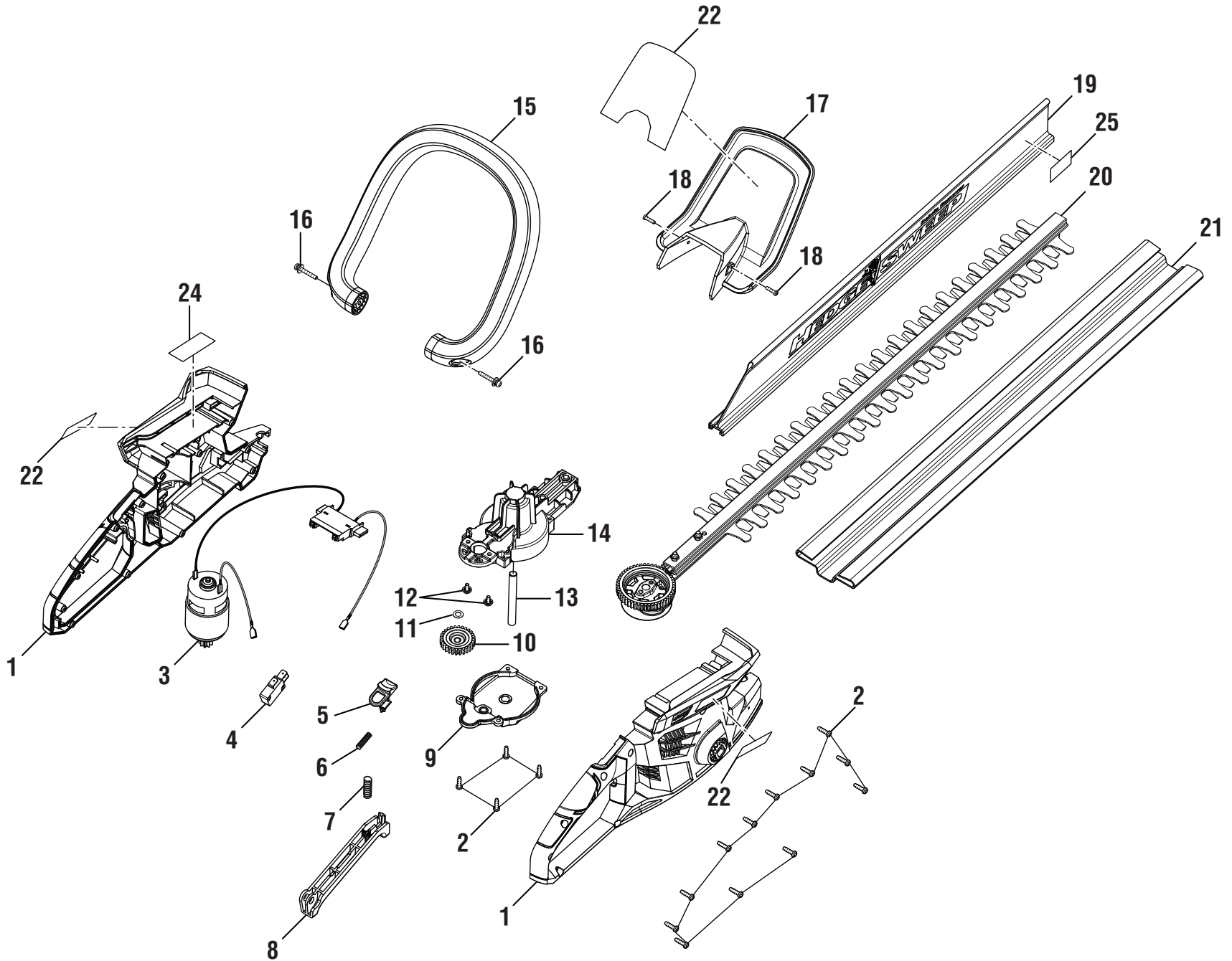


RYOBI 40 VOLT HEDGE TRIMMER - MODEL NUMBER RY40601



RYOBI 40 VOLT HEDGE TRIMMER – MODEL NUMBER RY40601

The model number will be found on a label attached to the motor housing. Always mention the model number in all correspondence regarding your **HEDGE TRIMMER** or when ordering repair parts.

PARTS LIST

KEY NO.	PART NUMBER	DESCRIPTION	QTY	KEY NO.	PART NUMBER	DESCRIPTION	QTY
1	129312001	Housing Assembly.....	1	17	525603001	Safety Guard	1
2	661817001	Screw (M4 x 14 mm).....	16	18	660203087	Screw (M3 x 12 mm).....	2
3	129313001	Motor and Contact Plate Assembly	1	19	525609001	Hedge Sweep.....	1
4	760947001	Switch Assembly	1	20	129314001	Blade Assembly.....	1
5	525605001	Lock Off Button	1	21	525406001	Scabbard	1
6	679055007	Compression Spring.....	1	22	940657094	Icon Label.....	1
7	679055008	Compression Spring.....	1	23	941770001	Logo Label.....	2
8	525604001	Trigger.....	1	24	941588027	Data Label	1
9	525607001	Gear Box Cover.....	1	25	941769001	Warning Label.....	1
10	610114001	Gear.....	1	Not Shown:			
11	670914001	Washer (ID6.2 x OD11 x 0.3t).....	1		130186006	Battery Pack	
12	661861001	Screw (M4 x 12 mm).....	2		140181001	Charger	
13	620995001	Output Shaft.....	1		990000277	Operator's Manual	
14	525606001	Gear Box Base	1		5-21-13		
15	311130001	Front Handle Assembly (Inc. Key No. 16).....	1		(Rev:01)		
16	660137007	Screw w/Washer (M3 x 12 mm).....	2				