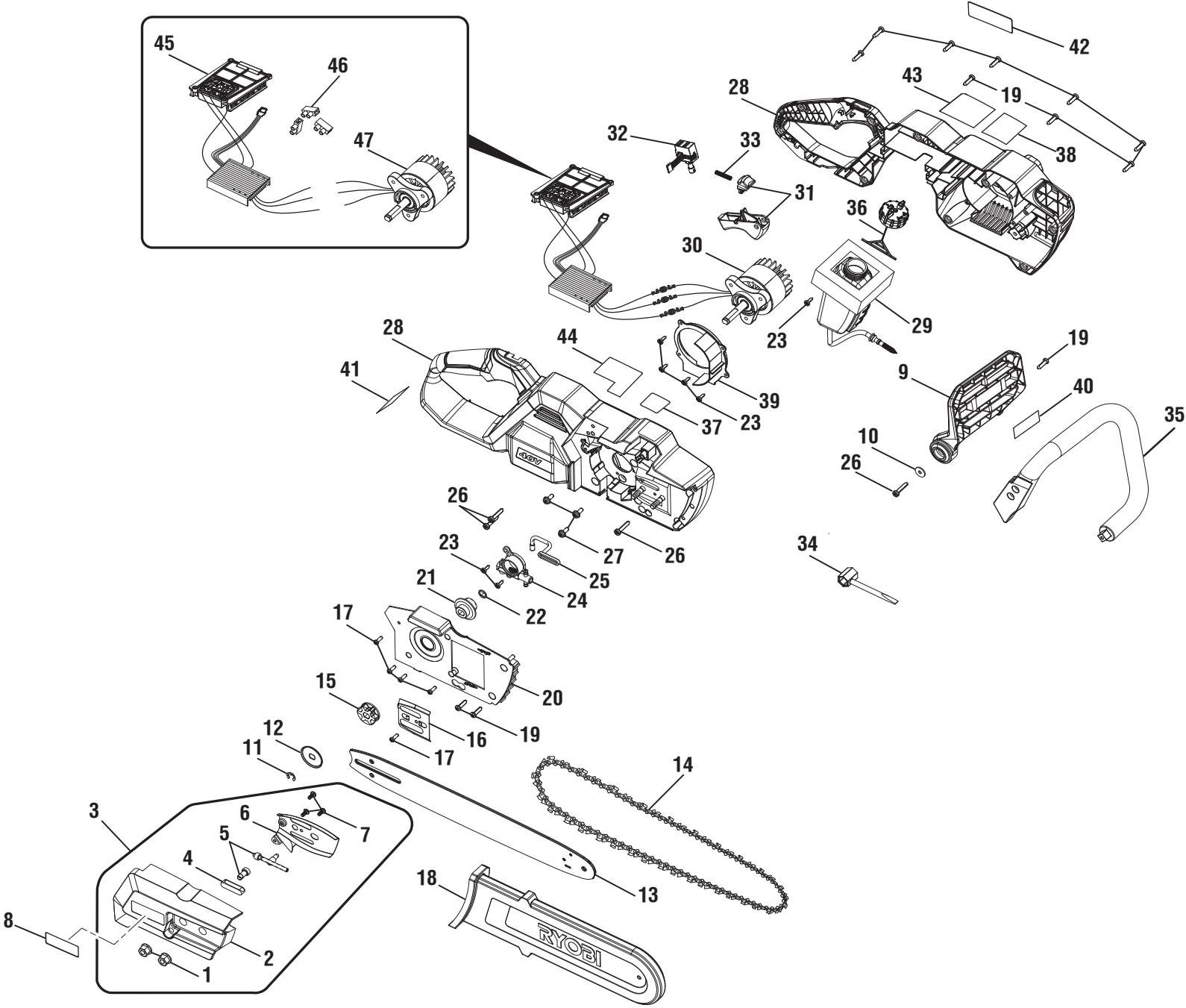


**RYOBI**  
**40 Volt Chain Saw**  
**Mfg. No. 107507001**  
**Item No. RY40503**  
**Repair Sheet**

**TECHTRONIC INDUSTRIES POWER EQUIPMENT**

P.O. Box 1288, Anderson, SC 29622 USA  
1-800-860-4050 • [www.ryobitools.com](http://www.ryobitools.com)

RYOBI 40 VOLT CHAIN SAW – MODEL NUMBER RY40503



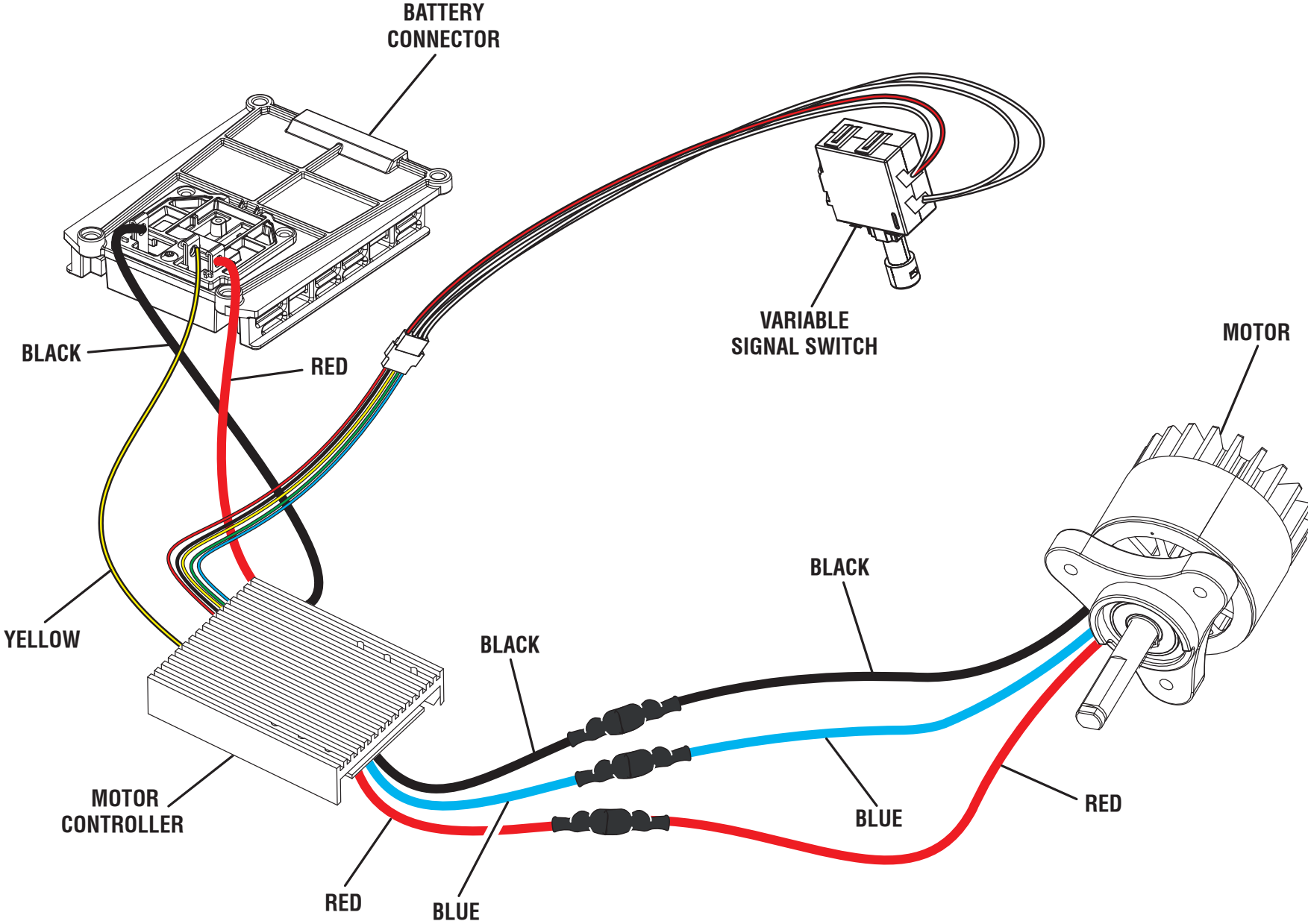
## RYOBI 40 VOLT CHAIN SAW – MODEL NUMBER RY40503

The model number will be found on a label attached to the motor housing. Always mention the model number in all correspondence regarding your **CHAIN SAW** or when ordering repair parts.

### PARTS LIST

| KEY NO. | PART NUMBER | DESCRIPTION                                       | QTY | KEY NO.           | PART NUMBER       | DESCRIPTION   | QTY |
|---------|-------------|---|-----|-------------------|-------------------|---|-----|
| 1       | 678339003   | Hex Nut (5/16-18).....                            | 2   | 27                | 662052002         | Screw (M5 x 8 mm, T25 Torx Pan Hd.) .....   | 3   |
| 2       | 205119001   | Bar Cover (Inc. Key No. 8).....                   | 1   | 28                | 205116001         | Housing Assembly (Inc. Key Nos. 37-38 & 41-44) ...                                      | 1   |
| 3       | 205118001   | Bar Cover Assembly (Inc. Key Nos. 1-2 & 4-8)..... | 1   | 29                | 314746001         | Oil Tank Assembly .....   | 1   |
| 4       | 563443001   | Rubber Plate .....                                | 1   | 30                | 205226001         | Motor, Motor Controller and Battery<br>Connector Assembly (Inc. Key Nos. 45 & 47) ..... | 1   |
| 5       | 205120001   | Driving Adjustment Gear Assembly .....            | 1   | 31                | 205117001         | Switch Trigger & Lock Out Button Assembly .....   | 1   |
| 6       | 658138001   | Guide Plate .....                                 | 1   | 32                | 760579005         | Switch .....  | 1   |
| 7       | 660922001   | Screw (M4 x 12 mm, T20 Torx Pan Hd.) .....        | 3   | 33                | 694143001         | Compression Spring .....  | 1   |
| 8       | 941851104   | Bar Cover Logo Label .....                        | 1   | 34                | 612330001         | Wrench .....  | 1   |
| 9       | 205115001   | Guard Assembly (Inc. Key No. 40) .....            | 1   | 35                | 537276001         | Front Handle.....   | 1   |
| 10      | 638988001   | Washer .....                                      | 1   | 36                | 306888001         | Oil Tank Cap Assembly .....   | 1   |
| 11      | 636159001   | E-ring.....                                       | 1   | 37                | 941851111         | Warning Icon Label (Right) .....  | 1   |
| 12      | 635367001   | Cap Washer.....                                   | 1   | 38                | 941851110         | Warning Icon Label (Left) .....   | 1   |
| 13      | 314675001   | Bar (14 in.).....                                 | 1   | 39                | 537280001         | Volute Cover.....   | 1   |
| 14      | 682006004   | Chain (14 in.) .....                              | 1   | 40                | 941851105         | Logo Label .....  | 1   |
| 15      | 612313001   | Sprocket.....                                     | 1   | 41                | 941851106         | Data Label .....  | 1   |
| 16      | 635335001   | Guide Bar Plate .....                             | 1   | 42                | 941851102         | Motor Side Logo Label.....  | 1   |
| 17      | 662083001   | Screw (M4 x 12 mm, T20 Torx Pan Hd.) .....        | 5   | 43                | 941851109         | Warning Label (English/Spanish, Left) .....   | 1   |
| 18      | 580491001   | Scabbard.....                                     | 1   | 44                | 941851108         | Warning Label (English/French, Right).....  | 1   |
| 19      | 662051001   | Screw (M5 x 19 mm, T20 Torx Pan Hd.) .....        | 12  | 45                | 314747001         | Motor Controller and Battery<br>Connector Assembly.....                                 | 1   |
| 20      | 537277001   | Cover Housing .....                               | 1   | 46                | 900876003         | Terminal Block.....   | 3   |
| 21      | 537485001   | Oil Pump Drive .....                              | 1   | 47                | 742089004         | Motor.....  | 1   |
| 22      | 658198001   | Washer .....                                      | 1   | <b>Not Shown:</b> |                   |   |     |
| 23      | 660608001   | Screw (M4 x 12 mm, T-20 Torx Pan Hd.) .....       | 7   | 995000684         | Operator's Manual |   |     |
| 24      | 309516002   | Oil Pump .....                                    | 1   | 10-29-19          |                   |   |     |
| 25      | 565069001   | Oil Output Tube .....                             | 1   | (Rev:04)          |                   |   |     |
| 26      | 662053001   | Screw (M5 x 25, T25 Torx Pan Hd.).....            | 4   |                   |                   |   |     |

RYOBI 40 VOLT CHAIN SAW – MODEL NUMBER RY40503



WIRING DIAGRAM