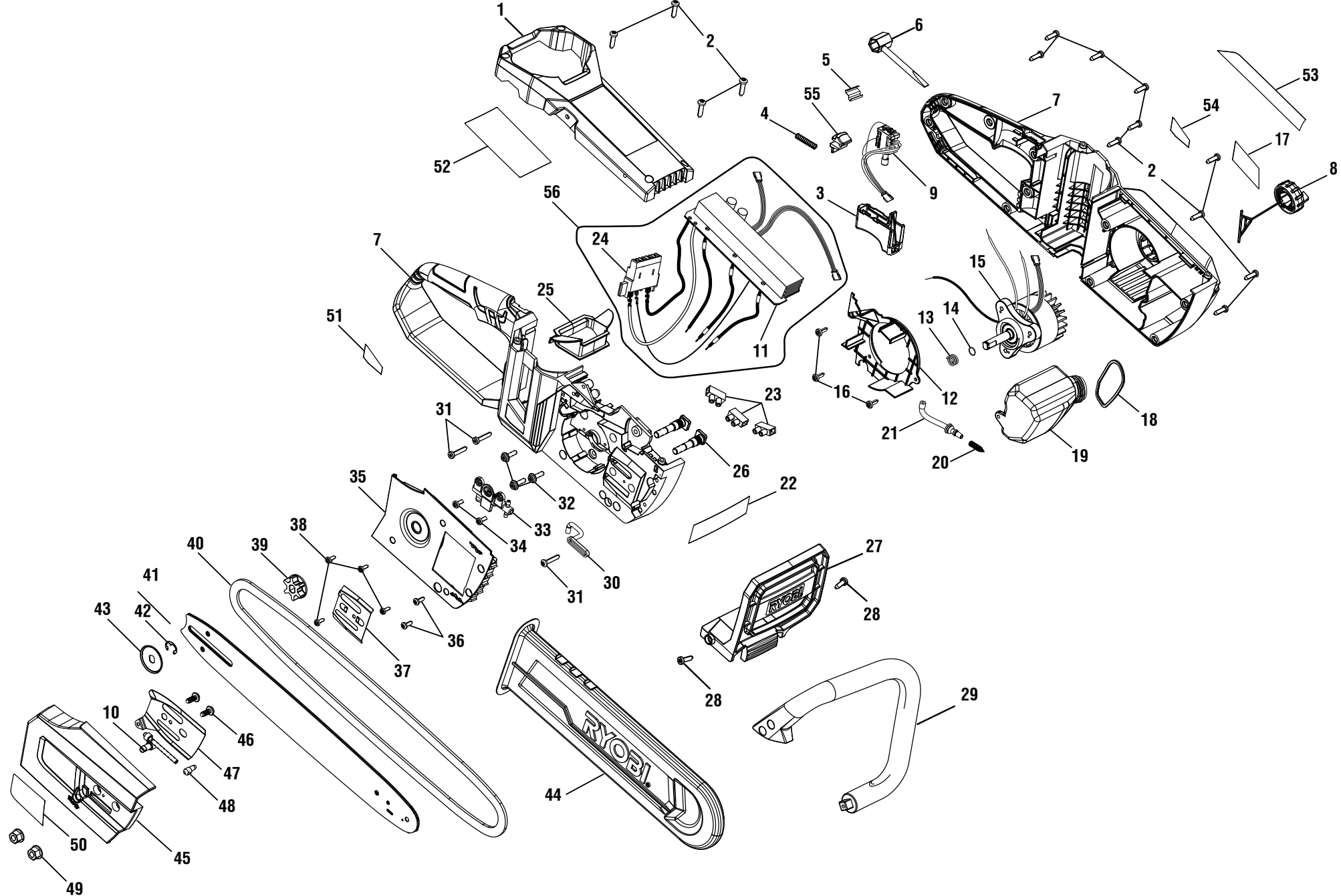


**RYOBI  
40 VOLT CHAIN SAW  
MODEL NUMBER RY40502  
REPAIR SHEET**

RYOBI 40 VOLT CHAIN SAW – MODEL NUMBER RY40502



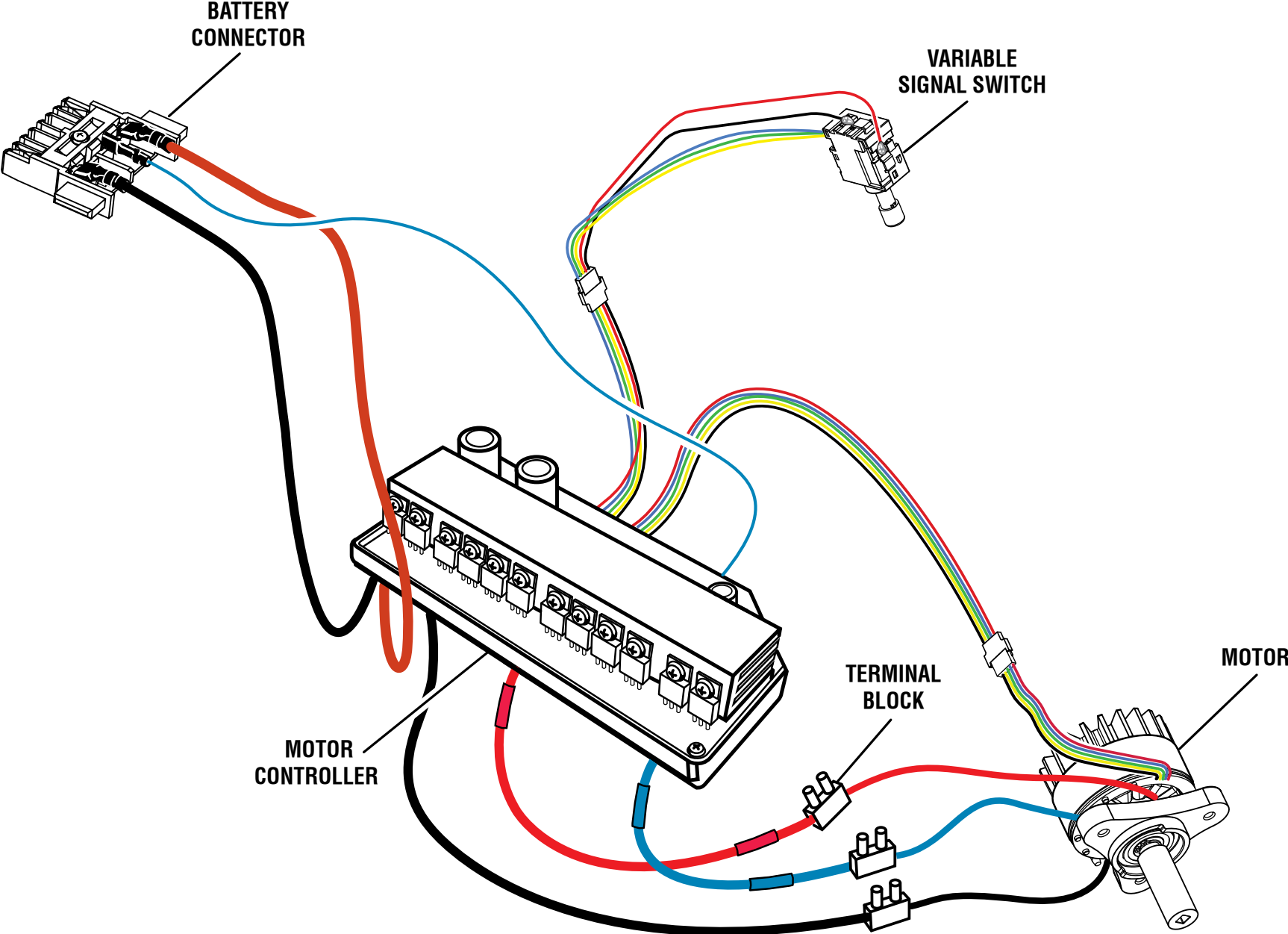
## RYOBI 40 VOLT CHAIN SAW – MODEL NUMBER RY40502

The model number will be found on a label attached to the motor housing. Always mention the model number in all correspondence regarding your **CHAIN SAW** or when ordering repair parts.

### PARTS LIST

KEY NO.	PART NUMBER	DESCRIPTION	QTY	KEY NO.	PART NUMBER	DESCRIPTION	QTY
1	129317001	Upper Cover w/Label .....	1	32	662052001	Screw (T25 x 12 mm, Flange Hd.).....	3
2	662051001	Screw (T20 x 15 mm) .....	14	33	309514001	Oil Pump Assembly .....	1
3	527427001	Switch Trigger.....	1	34	660610001	Screw (T20 x 10 mm) .....	2
4	694143001	Compression Spring.....	1	35	527423001	Cover Housing (Right) .....	1
5	635359001	Wrench Spring Plate.....	1	36	662064001	Screw (T20 x 10 mm) .....	2
6	612330001	Wrench .....	1	37	635335001	Guide Plate Bar .....	1
7	129318001	Housing Assembly .....	1	38	660608001	Screw (T15 x10 mm) .....	4
8	306888001	Oil Tank Cap .....	1	39	621313001	Sprocket .....	1
9	760952002	Switch.....	1	40	681858001	Chain (14 in.) .....	1
10	694251001	Driving Adjustment Gear .....	1	41	306885001	Bar w/Graphics (14 in.).....	1
11	280314001	Motor Controller .....	1	42	636159001	E-Ring.....	1
12	527422001	Valve Cover .....	1	43	635367001	Washer (Special).....	1
13	694071001	Oil Pump Spring .....	1	44	580132001	Scabbard (14 in.) .....	1
14	635321001	C-Ring .....	1	45	129316001	Sprocket Cover Assembly (Inc. Key Nos. 10, 46-48 & 50) .....	1
15	230513001	Motor Assembly (Inc. Key Nos. 13-14) .....	1	46	660922001	Screw .....	2
16	660608001	Screw (M4 x12 mm) .....	3	47	635349001	Metal Plate Insert .....	1
17	940015752	Logo Label (Right) .....	1	48	673273001	Adjustment Pin .....	1
18	563461001	Rubber Plate .....	1	49	678339003	Hex Nut (5/16-18 Flange) .....	2
19	527414001	Oil Tank.....	1	50	941103017	Bar Cover Logo .....	1
20	671090001	Spring Filter .....	1	51	940015153	Logo Label (Left) .....	1
21	563439001	Input Oil Tube .....	1	52	940006269	Warning Label .....	1
22	940657136	Warning Icon Label .....	1	53	941588053	Data Label .....	1
23	900876003	Terminal Block.....	3	54	940015152	Logo Label (Right) .....	1
24	525692001	Battery Connector .....	1	55	527482001	Lock Off Button.....	1
25	527431001	Cover.....	1	56	291297001	Motor Controller w/Battery Connector Assembly (Inc. Key Nos. 11 and 24) .....	1
26	660503004	Bolt (5/16-18).....	2				
27	129315001	Guard w/Label.....	1				
28	662065001	Screw (T20 x 12 mm) .....	2				
29	527419001	Front Handle.....	1				
30	563438001	Output Oil Tube .....	1				
31	662053001	Screw (T20 x 20 mm) .....	3				
					<b>Not Shown:</b>		
					999000798	Operator's Manual	
					3-22-17		
					(Rev:07)		

RYOBI 40 VOLT CHAIN SAW – MODEL NUMBER RY40502



WIRING DIAGRAM