

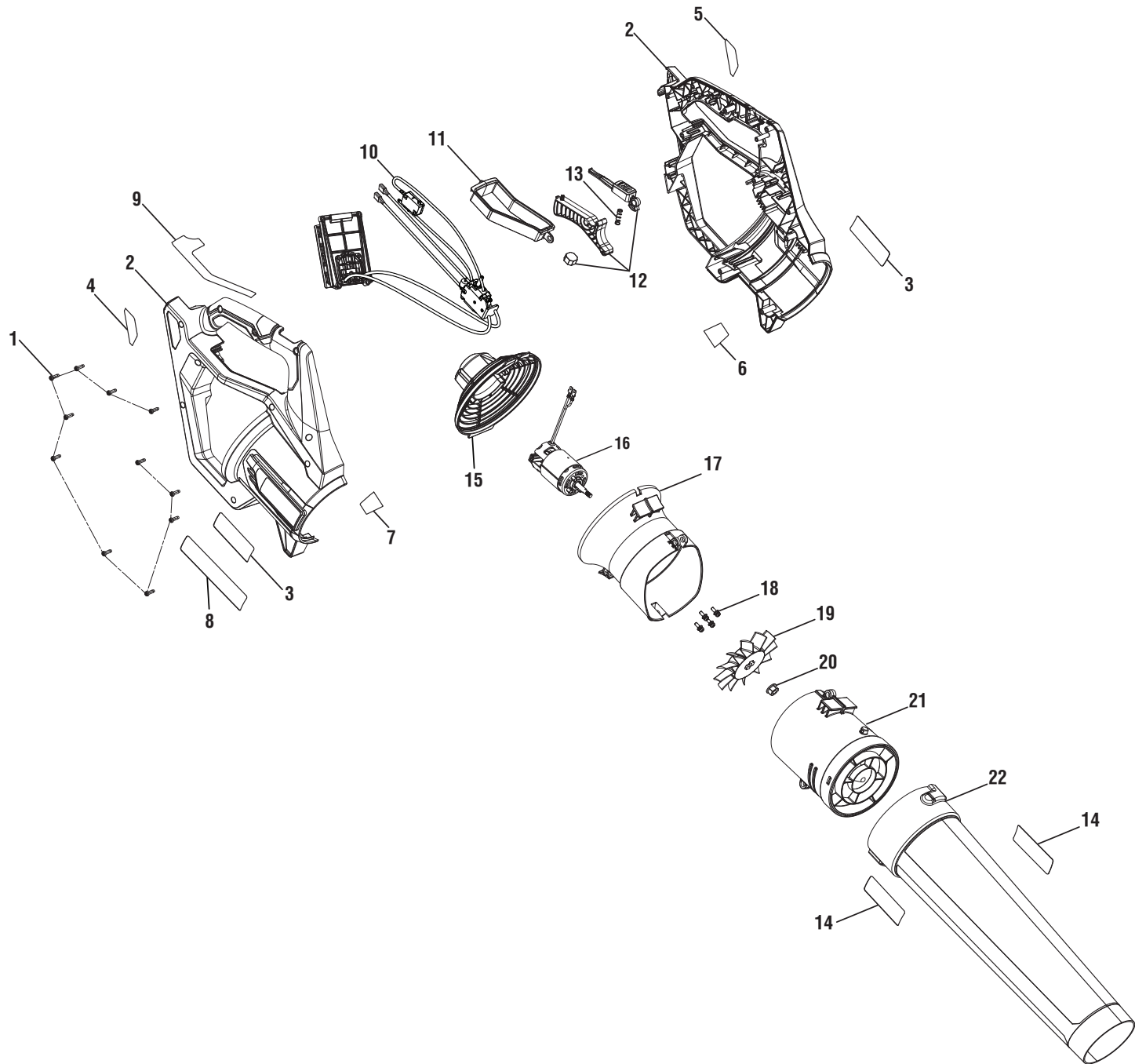
RYOBI
40 Volt Blower
Item Nos. RY40406/RY40406VN/RY40406VNM
Mfg. Nos. 107508001/107508006/107508101
Repair Sheet

TECHTRONIC INDUSTRIES POWER EQUIPMENT

P.O. Box 1288, Anderson, SC 29622 USA

1-800-860-4050 www.ryobitools.com

RYOBI BLOWER – ITEM NOS. RY40406/RY40406VN/RY40406VNM



RYOBI BLOWER – ITEM NOS. RY40406/RY40406VN/RY40406VNM

PARTS LIST

KEY NO.	PART NUMBER	DESCRIPTION	QTY
1	661817001	Screw (M4 x 14 mm, T15 Torx Pan Hd.)	11
2	314930001	Handle Housing Assembly (Inc. Key Nos. 3-9, RY40406).....	1
	205155001	Handle Housing Assembly (Inc. Key Nos. 3-9, RY40406VN).....	1
	205210001	Handle Housing Assembly (Inc. Key Nos. 3-9, RY40406VNM)	1
3	940304771	Logo Label	2
4	940851472	40V Label (Right).....	1
5	940851475	40V Label (Left)	1
6	941588304	Data Label (Left, RY40406)	1
	941588331	Data Label (Left, RY40406VN)	1
	940851530	Data Label (Left, RY40406VNM)	1
7	941588305	Data Label (Right, RY40406).....	1
	941588328	Data Label (Right, RY40406VN)	1
	941588371	Data Label (Right, RY40406VNM)	1
8	940851473	Warning Label (Spanish & French).....	1
9	940657324	Warning Icon Label	1
10	314929001	Battery Holder & Switches Assembly	1
11	537643001	Wire Cover	1
12	205103001	Trigger Switch Assembly.....	1
13	671073001	Compression Spring	1
14	940851495	Jet Fan Logo Label	2
15	537640001	Inlet Housing Cover.....	1
16	742510001	Motor (40 volt).....	1
17	537639001	Motor Mounting Housing	1
18	660917004	Screw (M5 x 11 mm, T25 Torx Pan Hd.)	4
19	537642001	Fan	1
20	678128002	Lock Nut (M8).....	1
21	314928001	Outlet Housing Assembly	1
22	314931001	Blower Tube Assembly (Inc. Key No. 14)	1

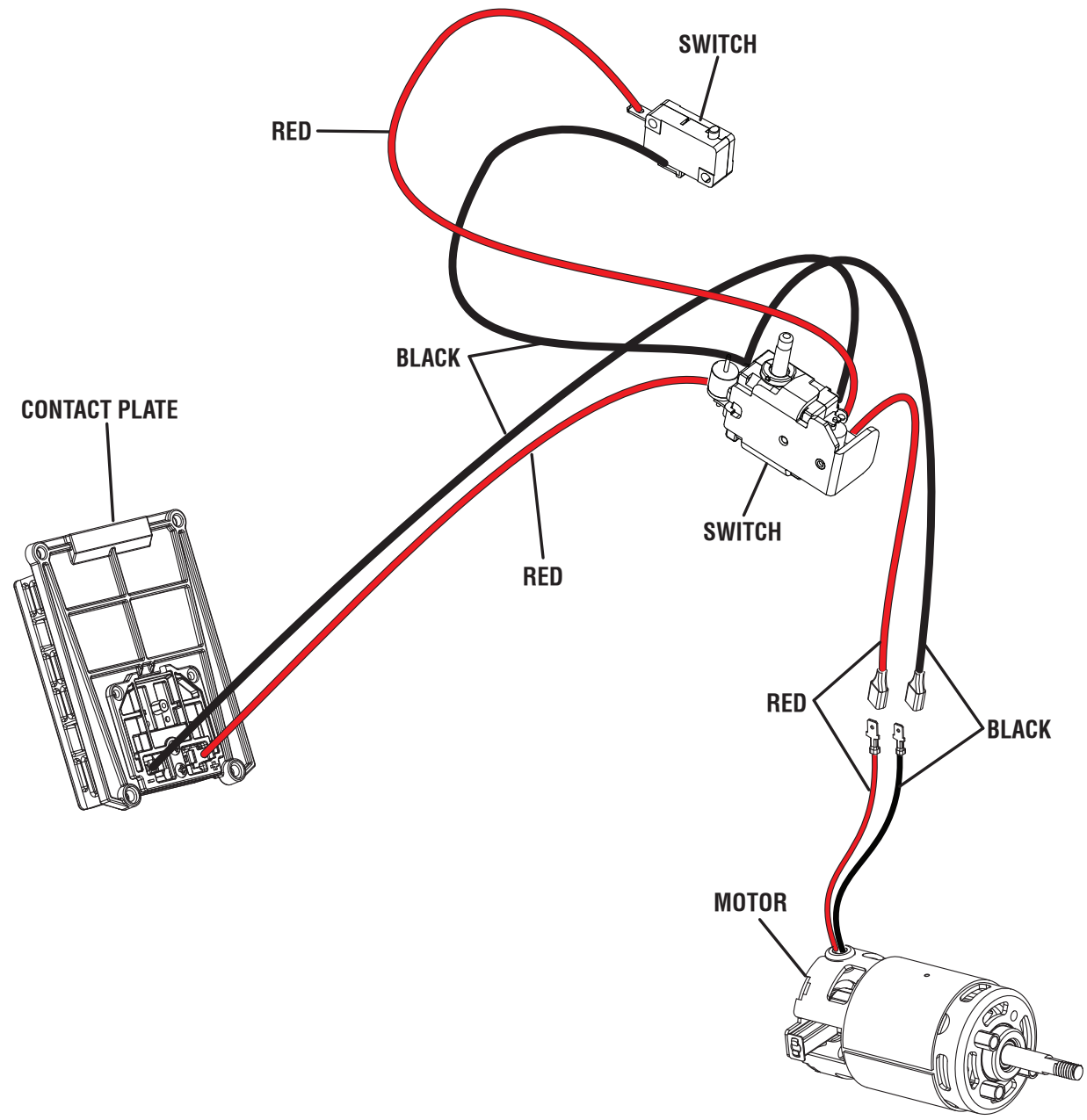
Not Shown

995000714

Operator's Manual

4-3-19

(Rev:04)



WIRING DIAGRAM