

**RYOBI
40 VOLT LAWN MOWER
ITEM NO. RY40108
MFG NO. 107813001
REPAIR SHEET**

Techtronic Industries Power Equipment

P.O. Box 1288
Anderson, SC 29622
Phone 1-800-860-4050
www.ryobitools.com

RYOBI LAWN MOWER - ITEM NO. RY40108

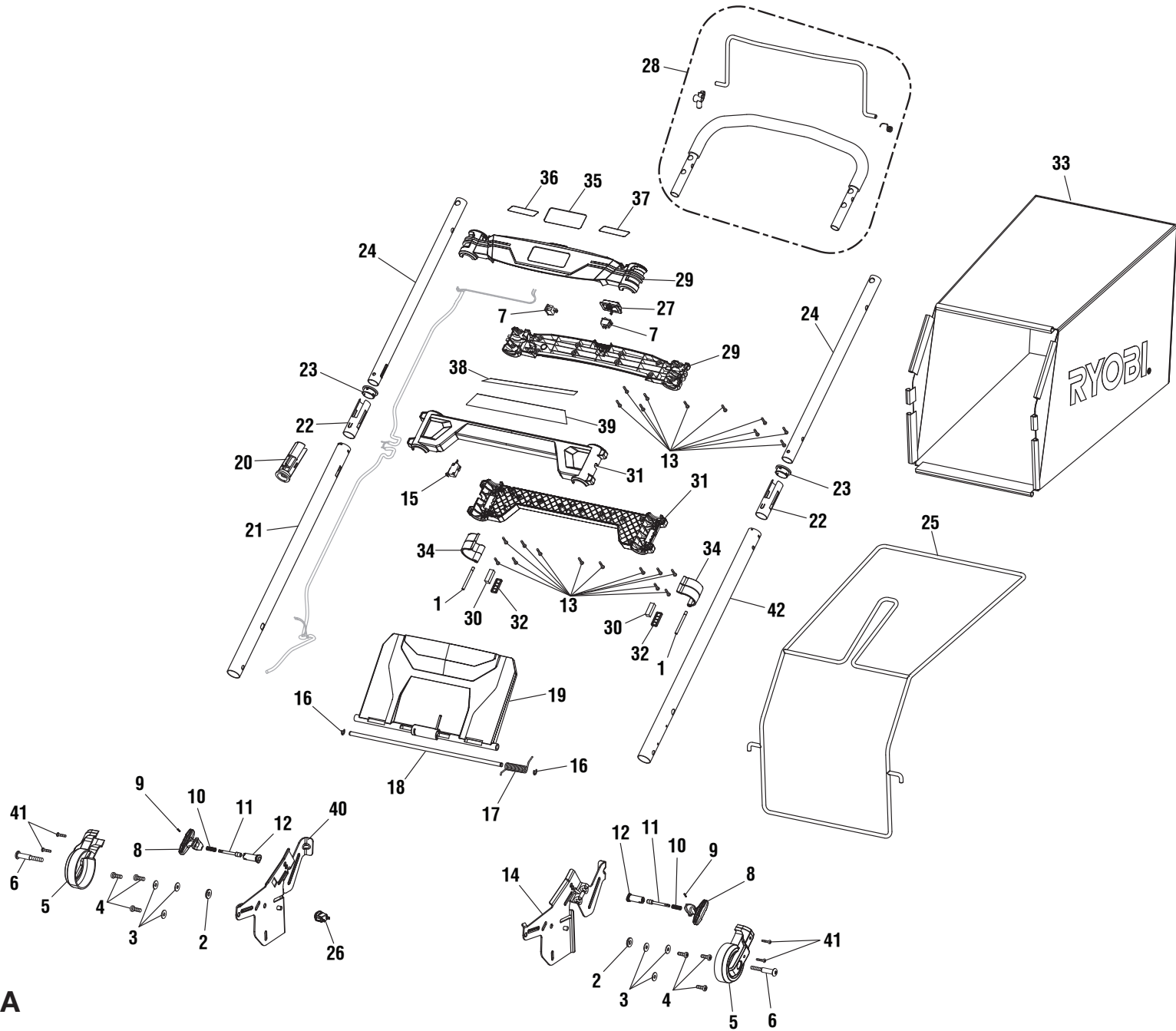


FIGURE A

RYOBI LAWN MOWER - ITEM NO. RY40108

The model number will be found on a label attached to the deck. Always mention the model number in all correspondence regarding your **LAWN MOWER** or when ordering replacement parts.

FIGURE A PARTS LIST

Key Part No. Number	Description	Qty	Key Part No. Number	Description	Qty
1	621895001	Pin (Handle Lock Clip)	24	695002005	Upper Handle Tube.....
		2			2
2	636233001	Washer (ID8.5 x OD20.5 x 2t)	25	635385006	Bag Frame
		2			1
3	638387002	Washer (1/4 in.).....	26	120723001	Switch Kit.....
		6			1
4	664004003	Screw (1/4-15 x 22mm, T30 Torx Pan Hd.).....	27	529261002	Safety Switch Cover
		6			1
5	529260001	Hinge Cover.....	28	205011004	Upper Handle/Bail Kit
		2			1
6	662324001	Shoulder Screw (M8 x 60 mm, T40 Torx Hd.).....	29	205045001	Upper Panel Assembly (Inc. Key Nos. 35-37).....
		2			1
7	760961002	Switch.....	30	563862001	Rubber Plate (Handle Lock Clip)
		2			2
8	528361002	Adjustment Knob	31	205047001	Lower Panel Assembly (Inc. Key Nos. 38-39).....
		2			1
9	673441001	Spring Pin	32	529298001	Block (Handle Lock Clip)
		2			2
10	694490001	Compression Spring.....	33	970698001	Bag
		2			1
11	673438001	Detent Pin	34	529293001	Handle Lock Clip
		2			2
12	642586001	Spring Pin Housing.....	35	940705322	Logo Label
		2			1
13	661189003	Screw (M4 x 18 mm, T20 Torx Pan Hd.).....	36	940851127	Start Label (Right)
		22			1
14	636779003	Height Adjustment Bracket.....	37	940851133	Start Label (Left)
		1			1
15	760551002	Switch.....	38	940851128	Lithium Label
		1			1
16	678880001	E-Ring.....	39	940851198	Handle Extended Label
		2			1
17	679076001	Torsion Spring (Rear Door).....	40	120723002	Switch Repair Kit (Inc. Key Nos. 2, 6, 26 & 33).....
		1			1
18	635469001	Rear Door Axle.....	41	660563002	Screw (M4 x 20 mm, T20 Torx Pan Hd.).....
		1			4
19	527478001	Rear Discharge Door	42	695065001	Lower Handle Tube (Left).....
		1			1
20	533467001	Switch Plug Housing			
		1			
21	695001001	Lower Handle Tube (Right)			
		1			
22	529328002	Handle Tube Bushing (Large).....			
		2			
23	529327001	Handle Tube Bushing (Small).....			
		2			

Not Shown:

991000664 Operator's Manual
5-21-18
(Rev:10)

RYOBI LAWN MOWER - ITEM NO. RY40108

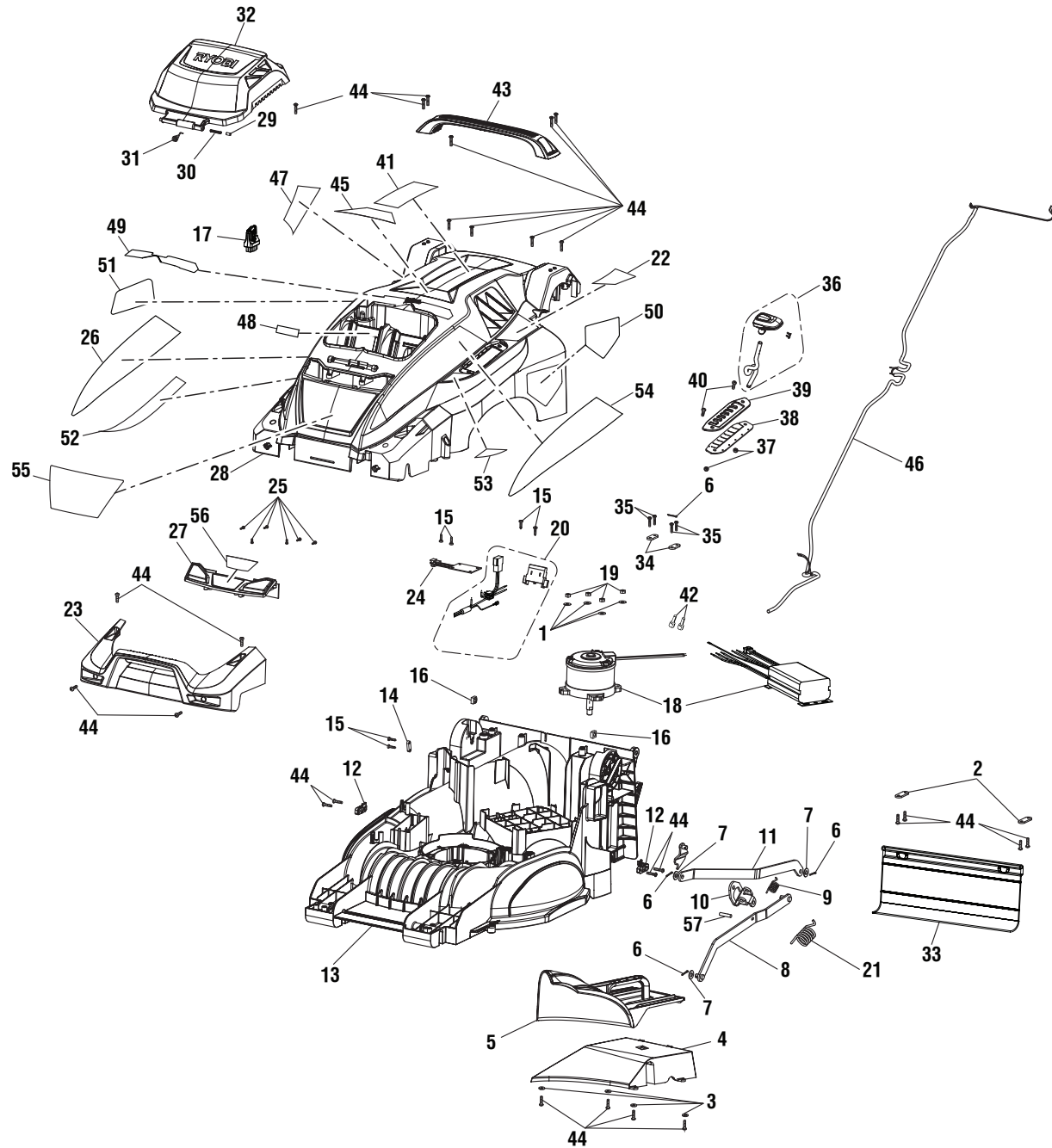


FIGURE B

RYOBI LAWN MOWER - ITEM NO. RY40108

The model number will be found on a label attached to the deck. Always mention the model number in all correspondence regarding your **LAWN MOWER** or when ordering replacement parts.

FIGURE B PARTS LIST

Key Part No. Number	Description	Qty	Key Part No. Number	Description	Qty		
1	638557001	Washer (ID6.2 x OD15 x 0.08t)	4	29	621628001	Axle	1
2	639116003	Axle Pressure Plate	2	30	679073001	Compression Spring	1
3	636062001	Washer (ID4.5 x OD10 x 1t)	4	31	679074002	Torsion Spring	1
4	527548002	Baffle	1	32	529259001	Battery Cover	1
5	527556001	Mulching Plug	1	33	534779001	Rear Protective Guard	1
6	678279004	Cotter Pin	4	34	639125002	Pressure Plate (Height Adjustment)	2
7	639013001	Washer (ID8.4 x OD18 x 1t)	3	35	661189003	Screw (M4 x 18 mm, T20 Torx Pan Hd.)	4
8	635378005	Front Lift Rod	1	36	205011003	Height Adjust Handle Kit	1
9	679992001	Torsion Spring (Height Adjustment)	1	37	678509001	Hex Lock Nut (M5)	2
10	639203001	Height Adjustment Bracket	1	38	563454001	Dust Gasket	1
11	635379005	Rear Lift Rod	1	39	635382001	Height Adjustment Plate	1
12	639116002	Axle Mount	2	40	660713001	Screw (M5 x 16 mm, Soc. Hd.)	2
13	531172001	Deck	1	41	941107021	Bilingual Danger (French/Spanish) & Trilingual Warning (English/French/Spanish) Label	1
14	513211001	Cord Clip	2	42	870601002	Close-End Connector	2
15	660608002	Screw (M4 x 16 mm, T20 Torx Pan Hd.)	6	43	529258001	Carrying Handle	1
16	T662406001	Square Nut (M8)	2	44	660563002	Screw (M4 x 20 mm, T20 Torx Pan Hd.)	26
17	311280001	Start Key	1	45	941107020	Danger/Warning Icon Label (English)	1
18	312922001	Motor and Controller Assembly (EU17300 & Before, B.D.C. Week 30, 2017)	1	46	291556001	Wiring Harness (EU17151 & Before, B.D.C. Week 15, 2017)	1
	312922003	Motor and Controller Assembly (EU17301, A.D.C. Week 30, 2017)	1		291556002	Wiring Harness (EU17301 & After, A.D.C. Week 30, 2017) ..	1
19	680196006	Hex Nut (M6)	4		291556003	Wiring Harness (EU17152-EU17300, A.D.C. Week 15, 2017 to B.D.C. Week 30, 2017)	1
20	205080001	Key Holder Assembly (Inc. Key No. 21)	1	47	941842015	40V Lithium Label	1
21	694052001	Rentention Spring	1	48	941843005	On Board Battery Storage Label	1
22	941843004	Height Adjustment Label	1	49	941107015	Warning Label	1
23	529372001	Front Bumper	1	50	941641001	No Hands Label	1
24	291805001	Circuit Board (Before EU17171, B.D.C. Week 17, 2017 Light Assembly)	1	51	941588122	Data Label	1
	280424002	Circuit Board (EU17171, & After A.D.C. Week 17, 2017 Light Assembly) .	1	52	941842004	RYOBI Label (Right)	1
25	660203001	Screw (M3 x 8 mm, Pan Hd.)	8	53	941842007	Logo Label	1
26	940851132	Brushless Label (Right)	1	54	940705323	Brushless Label (Left)	1
27	205057001	Light Assembly (Inc. Key No. 56)	1	55	940705324	40V Brushless Logo Label	1
28	205046001	Deck Cover (Inc. Key Nos. 22, 26, 41, 45 & 47-55)	1	56	940851129	LED Headlight Label	1
				57	639122001	Adjust Height Axle	1

B.D.C. = Before Date Code A.D.C. = After DateCode

RYOBI LAWN MOWER - ITEM NO. RY40108

The model number will be found on a label attached to the deck. Always mention the model number in all correspondence regarding your **LAWN MOWER** or when ordering replacement parts.

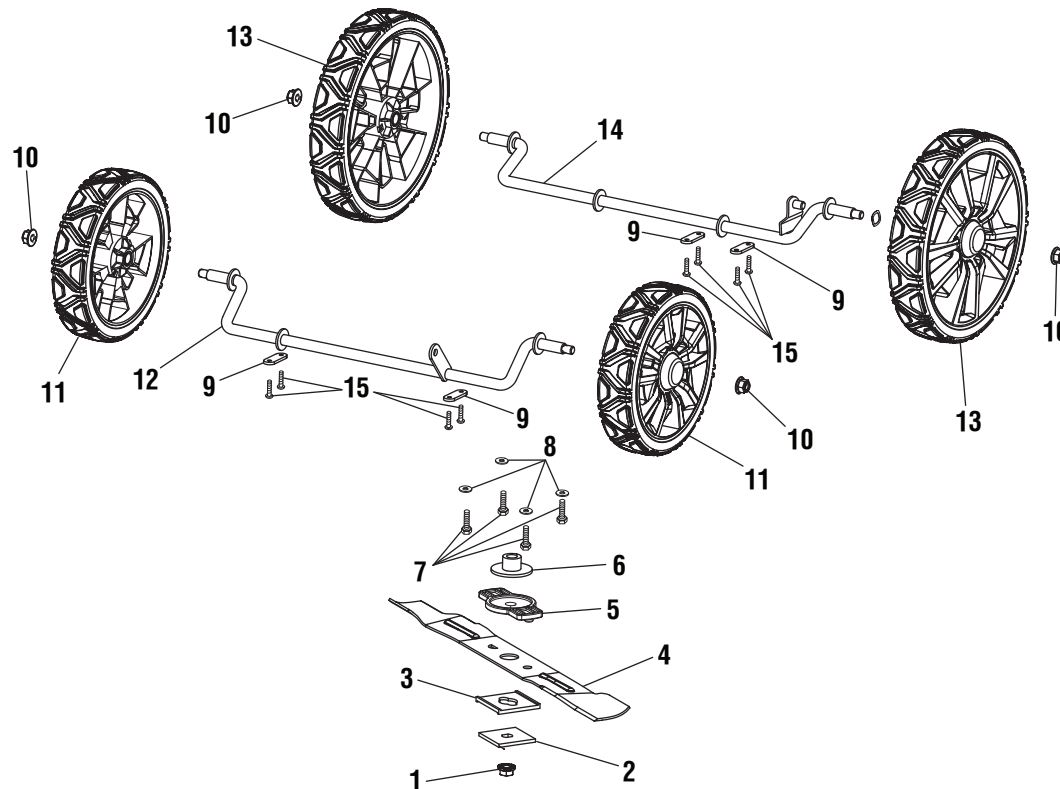
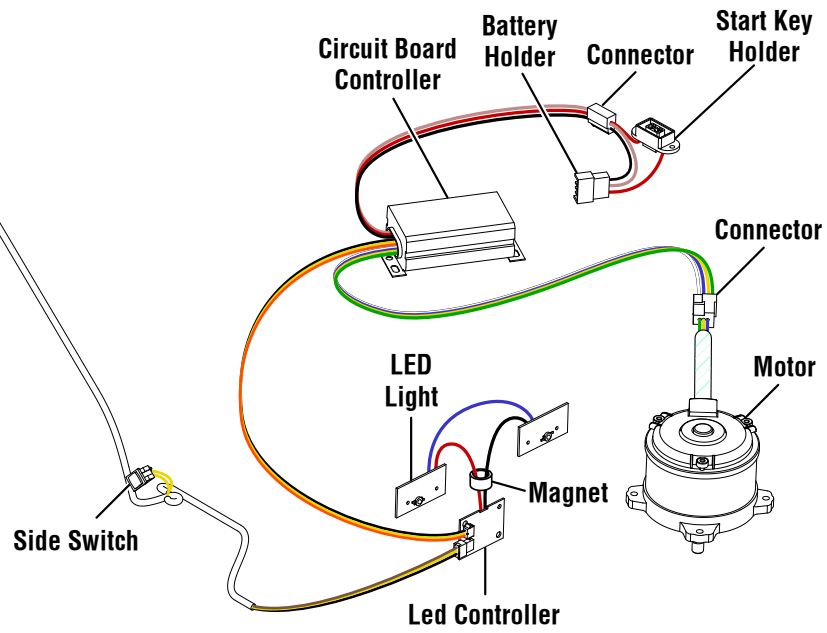
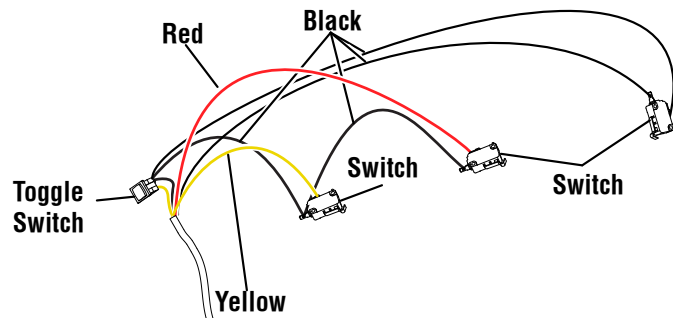


FIGURE C

Key Part No.	Part Number	Description	Qty	Key Part No.	Part Number	Description	Qty
1	679075001	Hex Nut (M10, Flange)	1	9	639116003	Axle Pressure Plate	4
2	639118001	Blade Retainer	1	10	662082001	Lock Nut (3/8-16, Flange)	4
3	526920001	Spacer	1	11	330073005	Front Wheel Assembly	2
4	682162001	Blade	1	12	635376003	Front Wheel Axle	1
5	526921001	Blade Holder	1	13	330072005	Rear Wheel Assembly	2
6	613427001	Motor Shaft Bushing	1	14	635375002	Rear Wheel Axle	1
7	660722002	Bolt (M6 x 26 mm, Hex Hd.)	4	15	660563002	Screw (M4 x 20 mm, T20 Torx Pan Hd.)	8
8	638557001	Washer (ID6.2 x OD15 x 0.08t)	4				

RYOBI LAWN MOWER - ITEM NO. RY40108



WIRING DIAGRAM