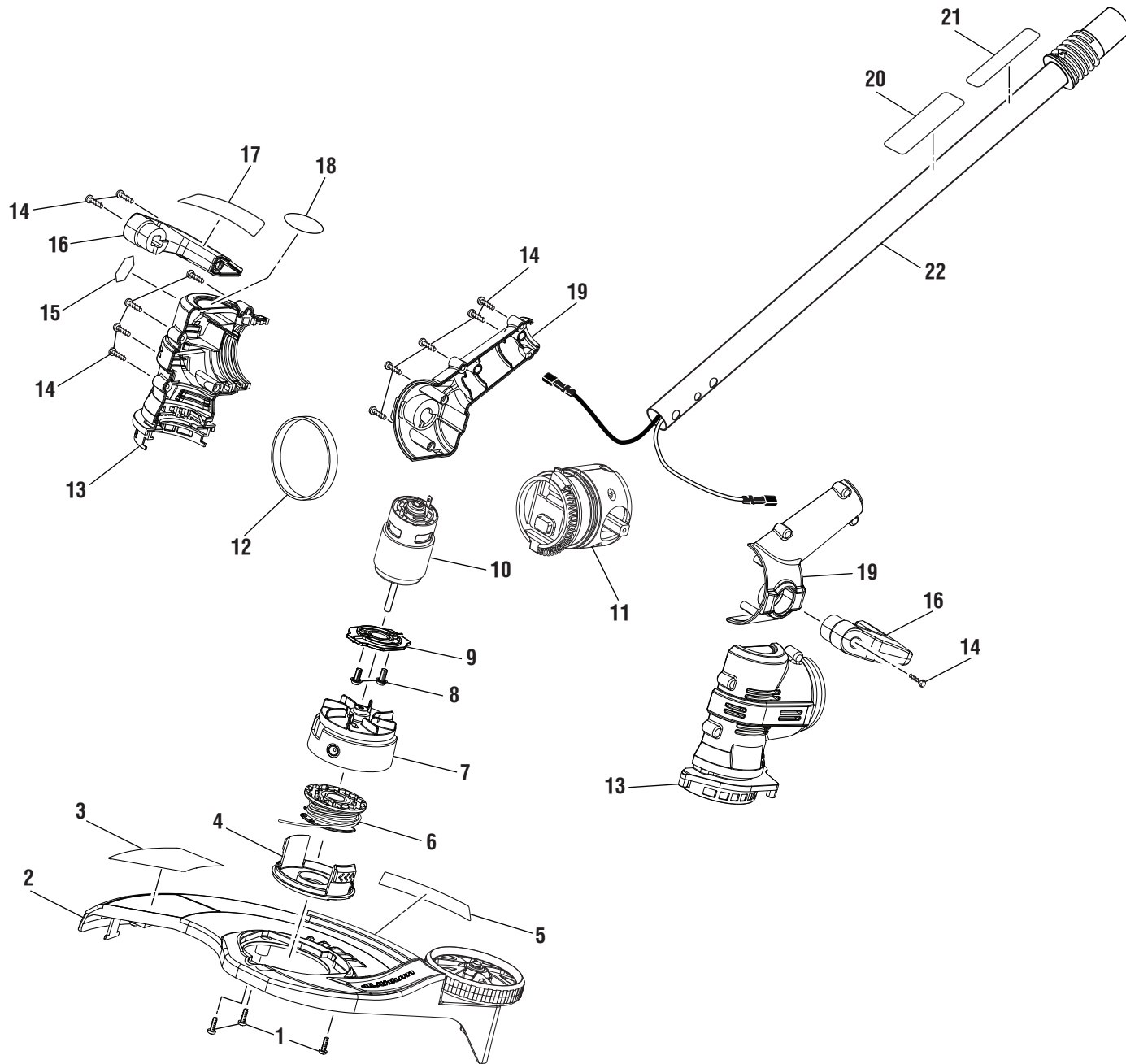


# RY40021 STRING TRIMMER/EDGER ATTACHMENT



## RY40021 STRING TRIMMER/EDGER ATTACHMENT

The model number will be found on a label attached to the motor housing. Always mention the model number of your **ATTACHMENT** when requesting service or ordering repair parts.

| KEY NO. | PART NUMBER         | DESCRIPTION                               | QTY |
|---------|---------------------|---|-----|
| 1       | 660208055           | Screw (M4 x 12 mm, Pan Hd.) .....         | 3   |
| 2       | 310904001           | Grass Deflector Assembly .....            | 1   |
| 3       | 941774001           | Adjustable Cutting Width Label.....       | 1   |
| 4       | 522994001           | Spool Cover.....                          | 1   |
| 5       | 941648002           | No Bump Label .....                       | 1   |
| 6       | 310917001           | Spool Assembly .....                      | 1   |
| 7       | 129305001           | String Head Assembly .....                | 1   |
| 8       | 660502002           | Screw (M5 x 8 mm) .....                   | 2   |
| 9       | 522926001           | Mounting Plate .....                      | 1   |
| 10      | 741921002           | Motor .....                               | 1   |
| 11      | 129304001           | Pivot Assembly.....                       | 1   |
| 12      | 522923001           | Glamour Ring .....                        | 1   |
| 13      | 129307001           | Motor Housing Assembly .....              | 1   |
| 14      | 661817001           | Screw (M4 x 14 mm, T15 Torx Pan Hd.)..... | 12  |
| 15      | 941766002           | Rotate Label .....                        | 1   |
| 16      | 129308001           | Foot Pedal Assembly .....                 | 1   |
| 17      | 941773001           | Step For Edging Label.....                | 1   |
| 18      | 941772001           | Lithium 40V Motor Housing Label.....      | 1   |
| 19      | 129309001           | Lower Housing Assembly.....               | 1   |
| 20      | 940749010           | Data/Warning Icon Label.....              | 1   |
| 21      | 941616003           | Ryobi Connexion Label .....               | 1   |
| 22      | 310896001           | Lower Boom Assembly .....                 | 1   |
|         | <b>Not Shown</b>    |   |     |
|         | 990000216           | Operator's Manual                         |     |
|         | 6-24-13<br>(Rev:02) |   |     |