

**RYOBI  
POWERHEAD  
ITEM NO. RY40002  
MFG NO. 311177001  
REPAIR SHEET**

**RYOBI TECHNOLOGIES, INC.**

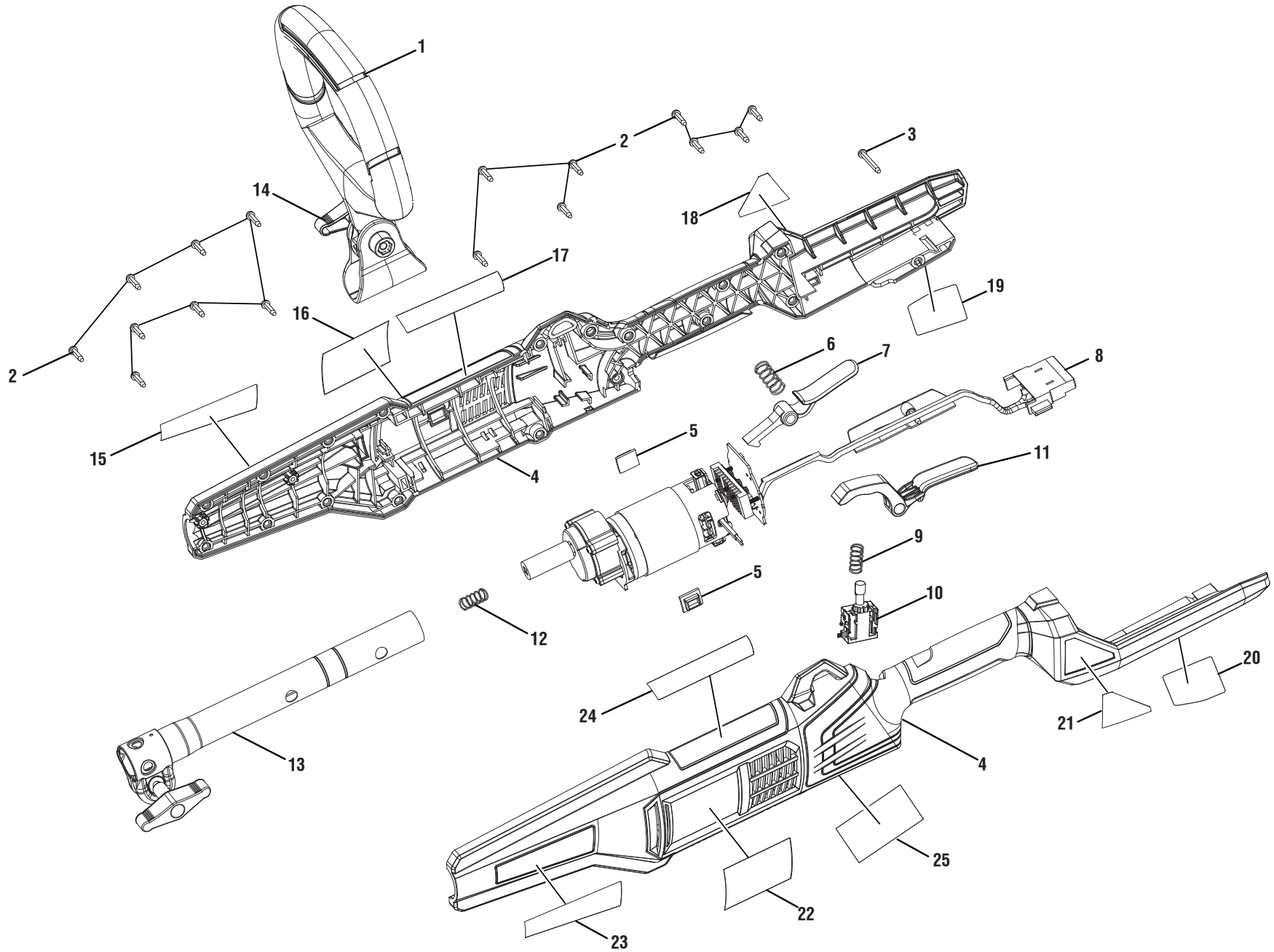
1428 Pearman Dairy Road, Anderson, SC 29625

Post Office Box 1207, Anderson, SC 29625

Phone 1-800-860-4050

[www.ryobitools.com](http://www.ryobitools.com)

# RY40002 POWER HEAD



## RY40002 POWER HEAD

The item and manufacturing number will be found on a label attached to the motor housing. Always mention the item and manufacturing number of your **POWER HEAD** when requesting service or ordering repair parts.

KEY NO.	PART NUMBER	DESCRIPTION	QTY
1	311237001	Front Handle Assembly (Inc. Key. No. 14) .....	1
2	T662028001	Screw (M4 x 16 mm, T15 Torx Pan Hd.) .....	16
3	660208104	Screw (M4 x 30 mm, T15 Torx Pan Hd.) .....	1
4	311222001	Rear Handle Assembly .....	2
5	570115001	Rubber Bumper .....	2
6	679406001	Compression Spring (Trigger Lock) .....	1
7	525589001	Trigger Lock-Out Lever .....	1
8	311281001	Motor & Gear Box Assembly .....	1
9	679494001	Compression Spring (Trigger) .....	1
10	760952001	Switch (Variable Speed) .....	1
11	526984001	Switch Trigger .....	1
12	679065001	Compression Spring .....	1
13	308470055	Upper Boom Assembly.....	2
14	522983004	Knob Assembly.....	1
15	940726027	Expandit Logo Label (Right).....	1
16	940851013	Logo Label (Right).....	1
17	940749020	Warning Label .....	1
18	941007021	40 Volt Label (Right) .....	1
19	940749022	Warning Label (Spanish) .....	1
20	940749023	Warning Label (French) .....	1
21	941007022	40 Volt Label (Left) .....	1
22	940851014	Logo Label (Left) .....	1
23	940726028	Expandit Logo Label (Left).....	1
24	940657133	Icon Warning Label .....	1
25	940230203	Data Label.....	1

**Not Shown**

990000720 Operator's Manual

3-28-16  
(Rev:03)