

FIGURE A

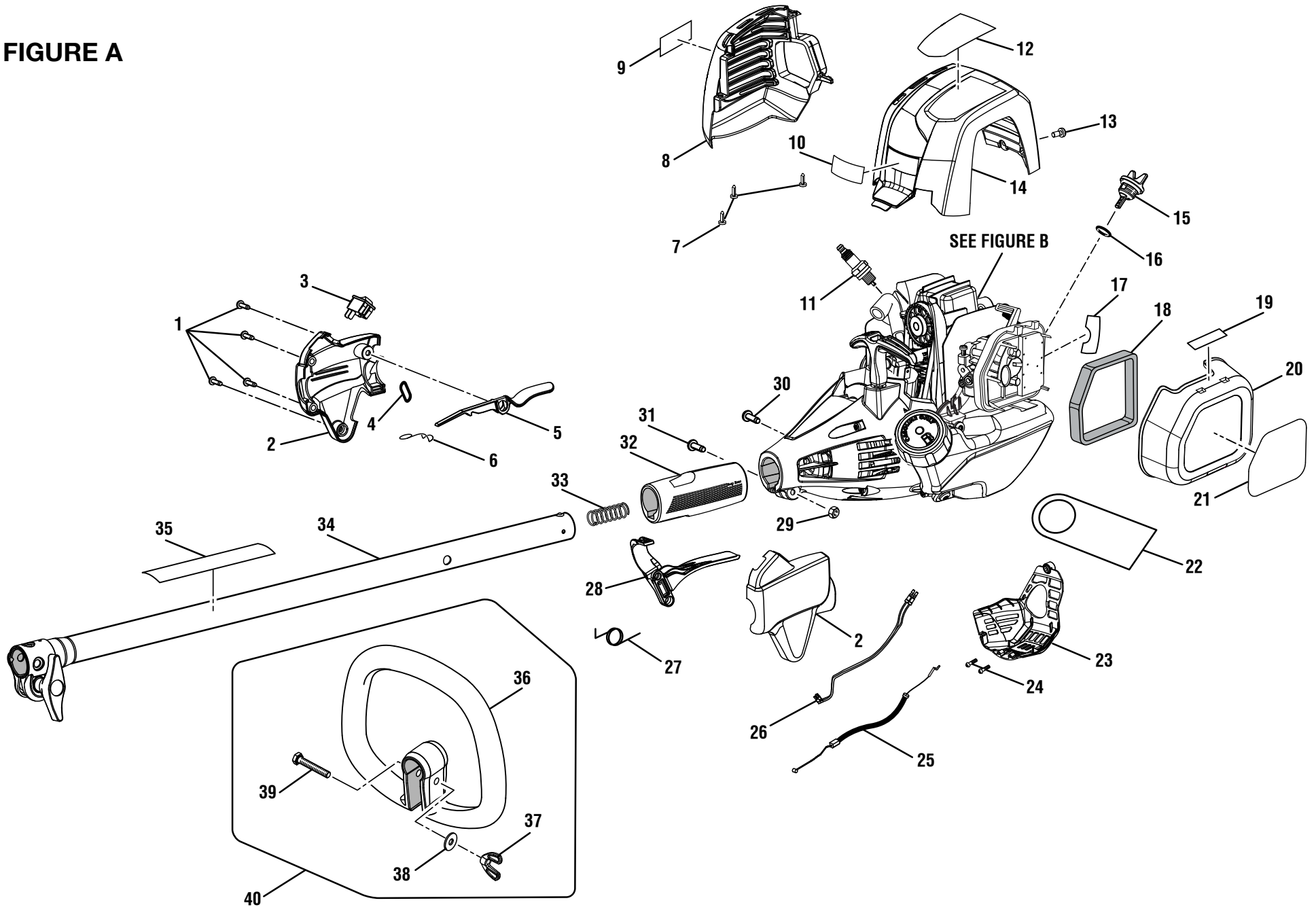
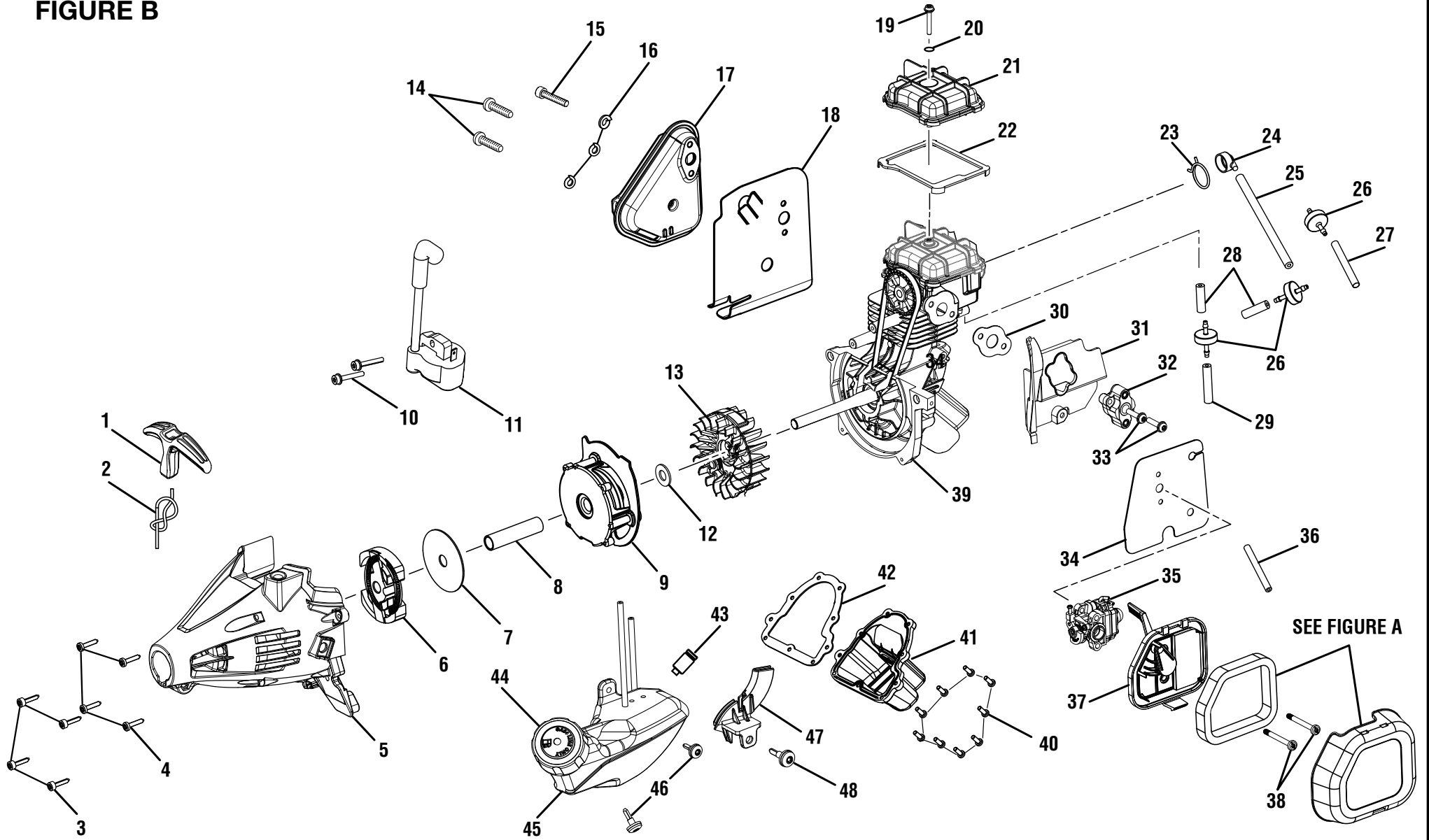


FIGURE B



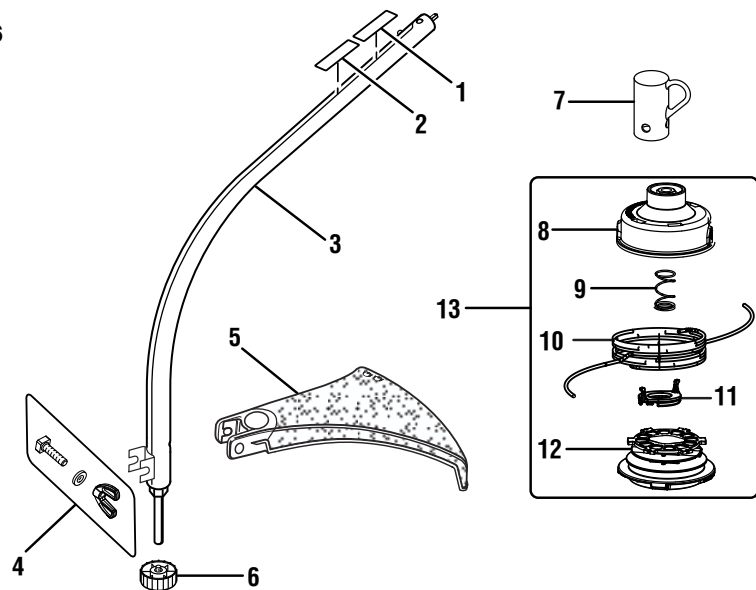
SEE FIGURE A

PARTS LIST (FIGURE B)

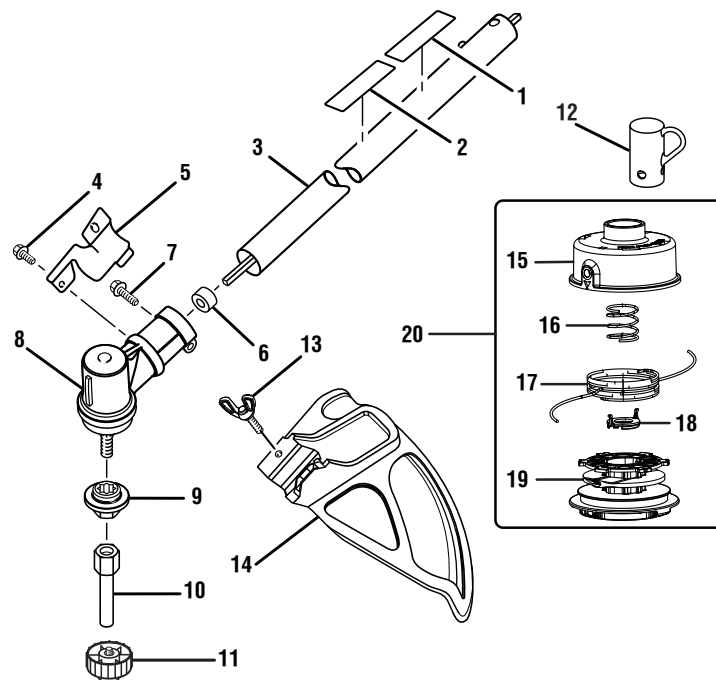
KEY NO.	PART NUMBER	DESCRIPTION	QTY	KEY NO.	PART NUMBER	DESCRIPTION	QTY
1	525485001	Starter Grip.....	1	26	308826002	Check Valve.....	3
2	900849002	Starter Rope	1	27	901666003	Shield Sleeve (M6 x 50 mm).....	1
3	660466001	Screw (M4 x 18 mm, T20 Torx Soc. Hd.).....	4	28	570710002	Breather Hose (24 mm)	2
4	660970001	Screw (M4 x 16 mm, T20 Torx Soc. Hd.).....	4	29	570710003	Breather Hose (34 mm, Crankcase)	1
5	310304001	Starter Housing Assembly.....	1	30	901657003	Heat Dam Gasket	1
6	300960002	Clutch Assembly	1	31	525030001	Air Baffle	1
7	638090001	Washer (ID9.63 x OD50.75 x 1.10t).....	1	32	525031001	Heat Dam	1
8	638284002	Spacer	1	33	660629003	Screw (M5 x 23 mm, T25 Torx Pan Hd.).....	2
9	310305001	Starter Housing Assembly.....	1	34	900809013	Heat Shield w/Gasket (Carburetor)	1
10	660968001	Screw (M4 x 19 mm, T20 Torx Pan Hd.).....	2	35	309375002	Carburetor	1
11	309263002	Ignition Module.....	1	36	570710004	Breather Hose (50 mm)	1
12	650017001	Washer (ID9.75 x OD20 x 1.6t).....	1	37	308398005	Air Box Base.....	1
13	309011001	Flywheel Assembly.....	1	38	660454015	Screw (M5 x 44 mm, T20 Torx Hd.).....	2
14	661143001	Screw (M5 x 38 mm, T25 Torx Truss Hd.)	2	39	309962012	Short Block Assembly	1
15	660347001	Cap Screw (M5 x 50 mm, T25 Torx Soc. Hd.).....	1	40	660925003	Screw (M4 x 12 mm, T20 Torx Hd.).....	9
16	678343001	Lock Washer (ID5.1 x OD9 x 1.3t)	3	41	518924003	Oil Pan.....	1
17	309324001	Muffler Assembly.....	1	42	570709002	Oil Pan Gasket.....	1
18	901702002	Muffler Gasket	1	43	300759005	Fuel Filter.....	1
19	660780002	Screw (M4 x 27 mm, T20 Torx Truss Hd.)	1	44	310816006	Fuel Cap	1
20	570400002	O-Ring	1	45	310585012	Fuel Tank w/Cap (Inc. Key Nos. 43-44).....	1
21	638692001	Cam Cover	1	46	660970002	Shoulder Screw (M4 x 14 mm, T25 Torx Truss Hd.)	2
22	901705001	Cam Cover Gasket.....	1	47	526450001	Throttle Cable Guide	1
23	678850001	Wire Clamp.....	1	48	660970008	Shoulder Screw (M4 x 19 mm, T25 Torx Truss Hd.)	1
24	570401001	Breather Fitting.....	1				
25	570710015	Breather Hose (120 mm)	1				

RYOBI 30cc STRING TRIMMERS MODEL NUMBERS – RY34426, RY34446

**FIGURE C
MODEL
RY34426**



**FIGURE C
MODEL
RY34446**



KEY NO.	PART NUMBER	DESCRIPTION	QTY
1	940726013	Expand-it Label	1
2	940230132	Warning Decal	1
3	308841002	Curved Shaft Assembly	1
4	120642001	Fastener Kit	1
5	308052001	Grass Deflector.....	1
6	308042002	Spool Retainer (Black)	1
7	518019002	Hanger Cap	1
8	310643003	Main Housing w/Eyelet.....	1
9	679958001	Compression Spring.....	1
10	900880000	Cutting Line (0.095 Dia.).....	1
11	525098001	Spool Cover.....	1
12	524999001	Spool	1
13	309562005	Reel Easy String Cutting Head Assembly (Inc. Key Nos. 8-12).....	1

KEY NO.	PART NUMBER	DESCRIPTION	QTY
1	940726013	Expand-it Label	1
2	940230132	Warning Decal	1
3	308035013	Straight Shaft Assembly.....	1
4	660736001	Screw (10-24 x 5/8 in.)	1
5	638125001	Clamp	1
6	518367001	Spacer	1
7	660642001	Screw (1/4-20 x 1-1/4 in., Hex Hd.).....	1
8	308210002	Gear Head	1
9	678011002	Flanged Washer.....	1
10	678019002	Stringhead Adapter w/Shaft.....	1
11	308042003	Spool Retainer (Red)	1
12	518019002	Hanger Cap	1
13	660886001	Wing Screw (1/4-20 x 1-1/4 in.).....	1
14	308473001	Grass Deflector Assembly	1
15	310643003	Main Housing	1
16	679958001	Compression Spring.....	1
17	900880000	Cutting Line	1
18	525098001	Cover-Spool	1
19	524999001	Spool	1
20	309562005	Reel Easy String Cutting Head Assembly (Inc. 15-19)....	1