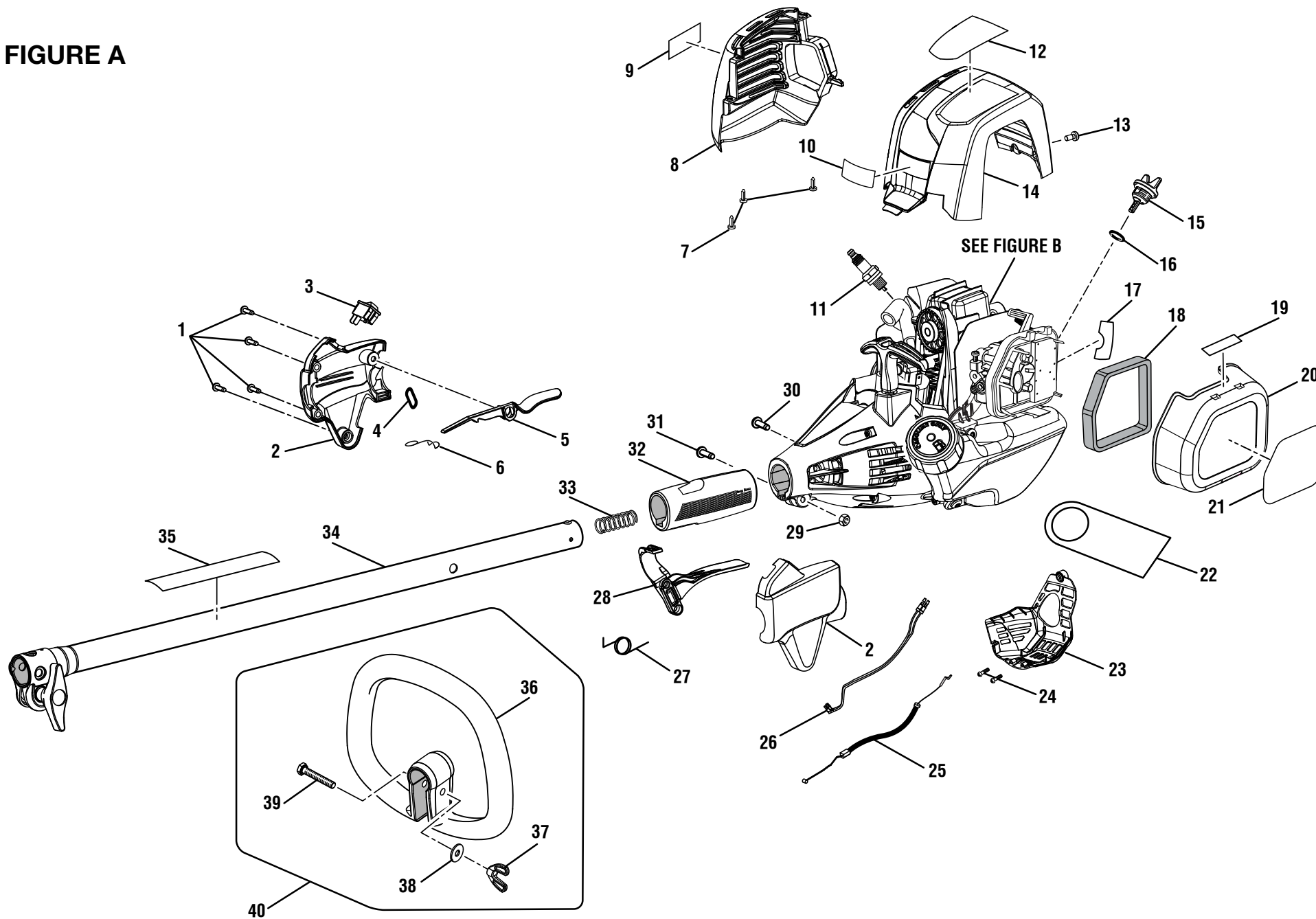


FIGURE A

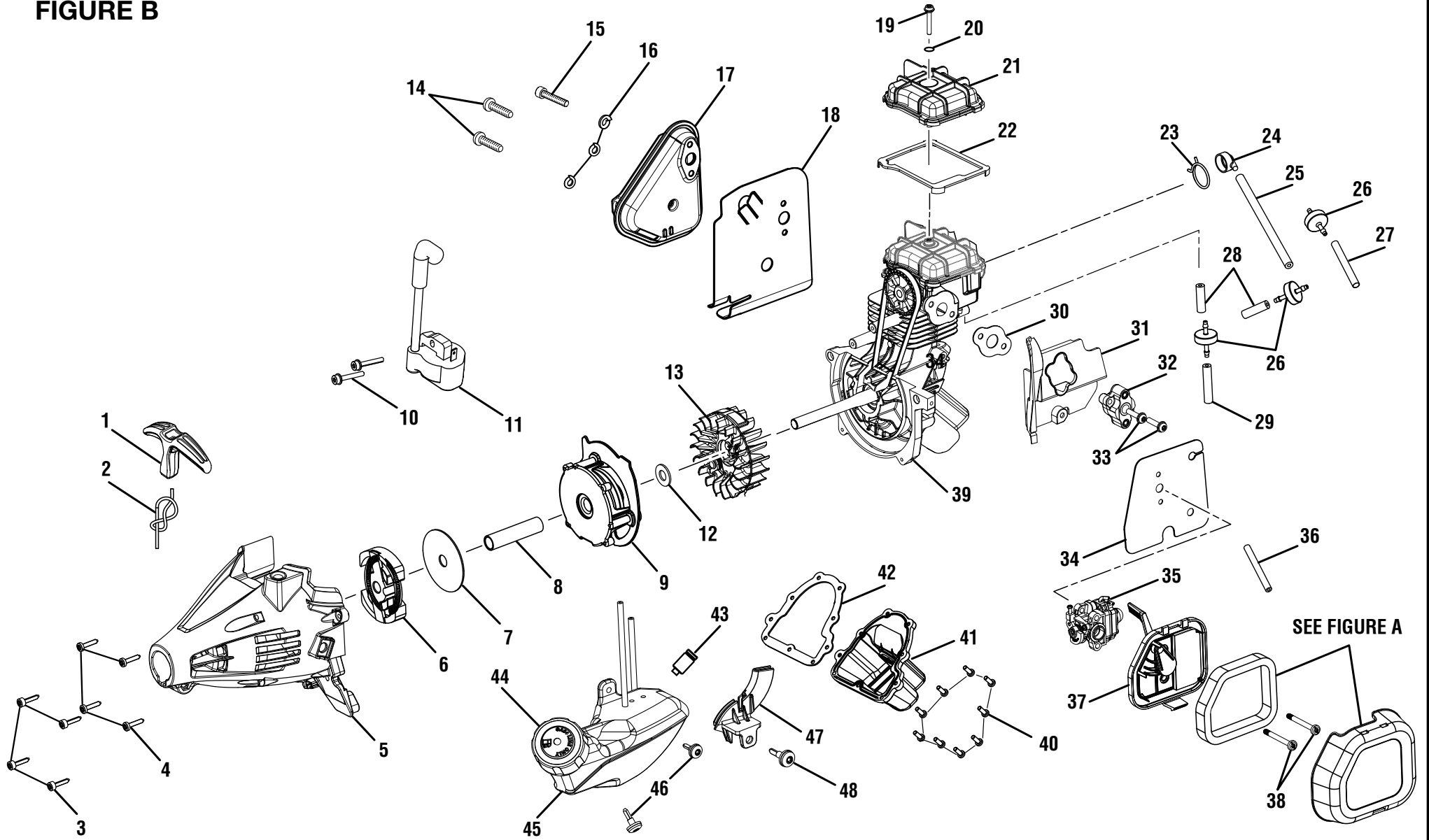


**PARTS LIST (FIGURE A)**

| <b>KEY NO.</b> | <b>PART NUMBER</b> | <b>DESCRIPTION</b>                                 | <b>QTY</b> | <b>KEY NO.</b> | <b>PART NUMBER</b> | <b>DESCRIPTION</b>                                    | <b>QTY</b> |
|----------------|--------------------|--|------------|----------------|--------------------|---|------------|
| 1              | 660563002          | Screw (M4 x 20 mm, T20 Torx Pan Hd.) .....         | 4          | 22             | 940971028          | Oil Hang Tag.....                                     | 1          |
| 2              | 120950026          | Control Handle Assembly .....                      | 1          | 23             | 518548001          | Bottom Cover.....                                     | 1          |
| 3              | 760700002          | Switch (Momentary Contact) .....                   | 1          | 24             | T660619001         | Screw (#6-19 x 1/2 in., Phillips Hd. T.F.).....       | 2          |
| 4              | 638431001          | Strap Hanger.....                                  | 1          | 25             | 308842007          | Throttle Cable.....                                   | 1          |
| 5              | 518695002          | Trigger Lock .....                                 | 1          | 26             | 308431002          | Lead Assembly.....                                    | 1          |
| 6              | 678818001          | Spring.....  | 1          | 27             | 690694002          | Torsion Spring (Throttle Trigger) .....               | 1          |
| 7              | 660466002          | Screw (M4 x 12 mm, T20 Truss Hd.).....             | 3          | 28             | 518696002          | Throttle Trigger .....                                | 1          |
| 8              | 518995001          | Muffler Housing.....                               | 1          | 29             | 678029002          | Hex Nut (M6.3 x 1) .....                              | 1          |
| 9              | 940654088          | Combustion Warning Label.....                      | 1          | 30             | 660634001          | Screw (#8-16 x 5/16 in., T25 Torx Pan Hd. T.F.) ..... | 1          |
| 10             | 940705020          | Logo Label .....                                   | 1          | 31             | 660697002          | Bolt (M6 x 20 mm, T27 Torx Button Hd.) .....          | 1          |
| 11             | 870301002          | * Spark Plug (Champion RY4C) .....                 | 1          | 32             | 570234002          | Rear Handle .....                                     | 1          |
| 12             | 940991037          | X430 Label (RY34006).....                          | 1          | 33             | 690140011          | Compression Spring .....                              | 1          |
|                | 940991026          | C430 Label (RY34426) .....                         | 1          | 34             | 120950028          | Upper Boom Assembly (Inc. Key No. 35) .....           | 1          |
|                | 940991027          | S430 Label (RY34446).....                          | 1          | 35             | 940657034          | Warning Label .....                                   | 1          |
| 13             | 660510006          | Shoulder Screw (M4 x 11 mm, T20 Torx Pan Hd.)..... | 1          | 36             | 518738001          | Front Handle.....                                     | 1          |
| 14             | 518142003          | Top Cover.....                                     | 1          | 37             | 518949001          | Wing Nut (1/4-20).....                                | 1          |
| 15             | 310302001          | Oil Cap/Dipstick (Inc. Key No. 16).....            | 1          | 38             | 678008001          | Washer (ID7 x OD19 x 1-3/4t) .....                    | 1          |
| 16             | 570400001          | O-Ring.....  | 1          | 39             | 660643008          | Screw (1/4-20 x 40 mm, Hex Hd.).....                  | 1          |
| 17             | 940680023          | Hot Surface Label .....                            | 1          | 40             | 308991001          | Front Handle Assembly (Inc. Key Nos. 36-39) .....     | 1          |
| 18             | 901723001          | Air Filter .....                                   | 1          |                |                    |   |            |
| 19             | 940216002          | Choke Label .....                                  | 1          |                |                    |   |            |
| 20             | 521403001          | Air Filter Cover .....                             | 1          |                |                    |   |            |
| 21             | 940734067          | Starting Label.....                                | 1          |                |                    |   |            |
|                |                    |  |            |                | <b>Not Shown:</b>  |   |            |
|                |                    |  |            |                | 990000203          | Operator's Manual                                     |            |
|                |                    |  |            |                | 8-26-13            |   |            |
|                |                    |  |            |                | (Rev:02)           |   |            |

\* Standard Hardware Item – May Be Purchased Locally

FIGURE B



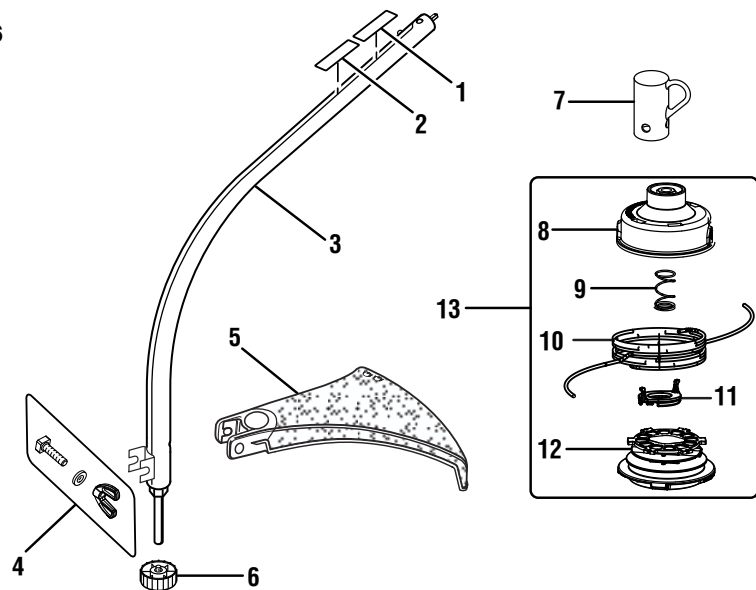
SEE FIGURE A

**PARTS LIST (FIGURE B)**

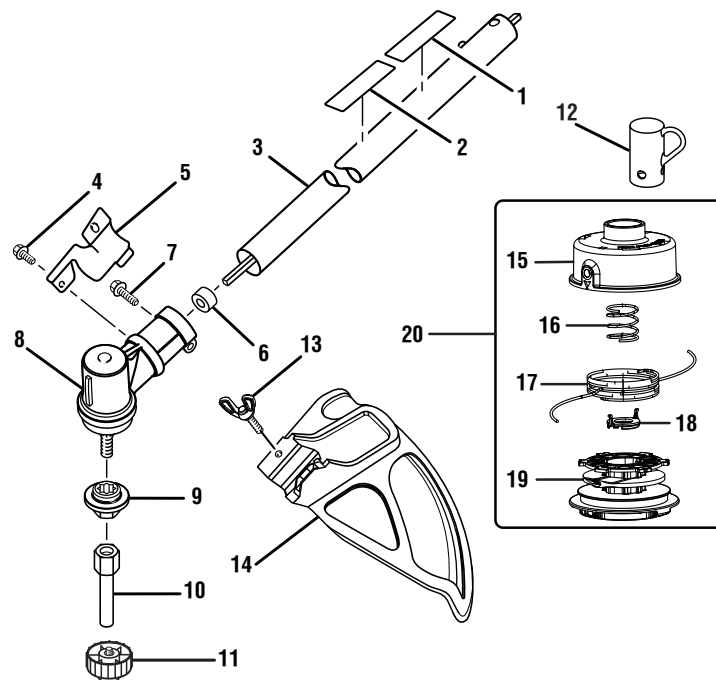
| <b>KEY NO.</b> | <b>PART NUMBER</b> | <b>DESCRIPTION</b>                             | <b>QTY</b> | <b>KEY NO.</b> | <b>PART NUMBER</b> | <b>DESCRIPTION</b>                                       | <b>QTY</b> |
|----------------|--------------------|--|------------|----------------|--------------------|--|------------|
| 1              | 525485001          | Starter Grip.....                              | 1          | 26             | 308826002          | Check Valve.....   | 3          |
| 2              | 900849002          | Starter Rope .....                             | 1          | 27             | 901666003          | Shield Sleeve (M6 x 50 mm).....                          | 1          |
| 3              | 660466001          | Screw (M4 x 18 mm, T20 Torx Soc. Hd.).....     | 4          | 28             | 570710002          | Breather Hose (24 mm) .....                              | 2          |
| 4              | 660970001          | Screw (M4 x 16 mm, T20 Torx Soc. Hd.).....     | 4          | 29             | 570710003          | Breather Hose (34 mm, Crankcase) .....                   | 1          |
| 5              | 310304001          | Starter Housing Assembly.....                  | 1          | 30             | 901657003          | Heat Dam Gasket .....                                    | 1          |
| 6              | 300960002          | Clutch Assembly .....                          | 1          | 31             | 525030001          | Air Baffle .....   | 1          |
| 7              | 638090001          | Washer (ID9.63 x OD50.75 x 1.10t).....         | 1          | 32             | 525031001          | Heat Dam .....   | 1          |
| 8              | 638284002          | Spacer .....                                   | 1          | 33             | 660629003          | Screw (M5 x 23 mm, T25 Torx Pan Hd.).....                | 2          |
| 9              | 310305001          | Starter Housing Assembly.....                  | 1          | 34             | 900809013          | Heat Shield w/Gasket (Carburetor) .....                  | 1          |
| 10             | 660968001          | Screw (M4 x 19 mm, T20 Torx Pan Hd.).....      | 2          | 35             | 309375002          | Carburetor .....   | 1          |
| 11             | 309263002          | Ignition Module.....                           | 1          | 36             | 570710004          | Breather Hose (50 mm) .....                              | 1          |
| 12             | 650017001          | Washer (ID9.75 x OD20 x 1.6t).....             | 1          | 37             | 308398005          | Air Box Base.....  | 1          |
| 13             | 309011001          | Flywheel Assembly.....                         | 1          | 38             | 660454015          | Screw (M5 x 44 mm, T20 Torx Hd.).....                    | 2          |
| 14             | 661143001          | Screw (M5 x 38 mm, T25 Torx Truss Hd.) .....   | 2          | 39             | 309962012          | Short Block Assembly .....                               | 1          |
| 15             | 660347001          | Cap Screw (M5 x 50 mm, T25 Torx Soc. Hd.)..... | 1          | 40             | 660925003          | Screw (M4 x 12 mm, T20 Torx Hd.).....                    | 9          |
| 16             | 678343001          | Lock Washer (ID5.1 x OD9 x 1.3t) .....         | 3          | 41             | 518924003          | Oil Pan.....   | 1          |
| 17             | 309324001          | Muffler Assembly.....                          | 1          | 42             | 570709002          | Oil Pan Gasket.....                                      | 1          |
| 18             | 901702002          | Muffler Gasket .....                           | 1          | 43             | 300759005          | Fuel Filter.....   | 1          |
| 19             | 660780002          | Screw (M4 x 27 mm, T20 Torx Truss Hd.) .....   | 1          | 44             | 310816006          | Fuel Cap .....   | 1          |
| 20             | 570400002          | O-Ring .....                                   | 1          | 45             | 310585012          | Fuel Tank w/Cap (Inc. Key Nos. 43-44).....               | 1          |
| 21             | 638692001          | Cam Cover .....                                | 1          | 46             | 660970002          | Shoulder Screw<br>(M4 x 14 mm, T25 Torx Truss Hd.) ..... | 2          |
| 22             | 901705001          | Cam Cover Gasket.....                          | 1          | 47             | 526450001          | Throttle Cable Guide .....                               | 1          |
| 23             | 678850001          | Wire Clamp.....                                | 1          | 48             | 660970008          | Shoulder Screw<br>(M4 x 19 mm, T25 Torx Truss Hd.) ..... | 1          |
| 24             | 570401001          | Breather Fitting.....                          | 1          |                |                    |  |            |
| 25             | 570710015          | Breather Hose (120 mm) .....                   | 1          |                |                    |  |            |

**RYOBI 30cc STRING TRIMMERS MODEL NUMBERS – RY34426, RY34446**

**FIGURE C  
MODEL  
RY34426**



**FIGURE C  
MODEL  
RY34446**



| KEY NO. | PART NUMBER | DESCRIPTION   | QTY |
|---------|-------------|---|-----|
| 1       | 940726013   | Expand-it Label .....   | 1   |
| 2       | 940230132   | Warning Decal .....   | 1   |
| 3       | 308841002   | Curved Shaft Assembly .....   | 1   |
| 4       | 120642001   | Fastener Kit .....  | 1   |
| 5       | 308052001   | Grass Deflector.....  | 1   |
| 6       | 308042002   | Spool Retainer (Black) .....  | 1   |
| 7       | 518019002   | Hanger Cap .....  | 1   |
| 8       | 310643003   | Main Housing w/Eyelet.....  | 1   |
| 9       | 679958001   | Compression Spring.....   | 1   |
| 10      | 900880000   | Cutting Line (0.095 Dia.).....                                      | 1   |
| 11      | 525098001   | Spool Cover.....  | 1   |
| 12      | 524999001   | Spool .....   | 1   |
| 13      | 309562005   | Reel Easy String Cutting Head Assembly<br>(Inc. Key Nos. 8-12)..... | 1   |

| KEY NO. | PART NUMBER | DESCRIPTION   | QTY |
|---------|-------------|---|-----|
| 1       | 940726013   | Expand-it Label .....                                   | 1   |
| 2       | 940230132   | Warning Decal .....                                     | 1   |
| 3       | 308035013   | Straight Shaft Assembly.....                            | 1   |
| 4       | 660736001   | Screw (10-24 x 5/8 in.) .....                           | 1   |
| 5       | 638125001   | Clamp .....   | 1   |
| 6       | 518367001   | Spacer .....  | 1   |
| 7       | 660642001   | Screw (1/4-20 x 1-1/4 in., Hex Hd.).....                | 1   |
| 8       | 308210002   | Gear Head .....   | 1   |
| 9       | 678011002   | Flanged Washer.....                                     | 1   |
| 10      | 678019002   | Stringhead Adapter w/Shaft.....                         | 1   |
| 11      | 308042003   | Spool Retainer (Red) .....                              | 1   |
| 12      | 518019002   | Hanger Cap .....  | 1   |
| 13      | 660886001   | Wing Screw (1/4-20 x 1-1/4 in.).....                    | 1   |
| 14      | 308473001   | Grass Deflector Assembly .....                          | 1   |
| 15      | 310643003   | Main Housing .....                                      | 1   |
| 16      | 679958001   | Compression Spring.....                                 | 1   |
| 17      | 900880000   | Cutting Line .....                                      | 1   |
| 18      | 525098001   | Cover-Spool .....                                       | 1   |
| 19      | 524999001   | Spool .....   | 1   |
| 20      | 309562005   | Reel Easy String Cutting Head Assembly (Inc. 15-19).... | 1   |