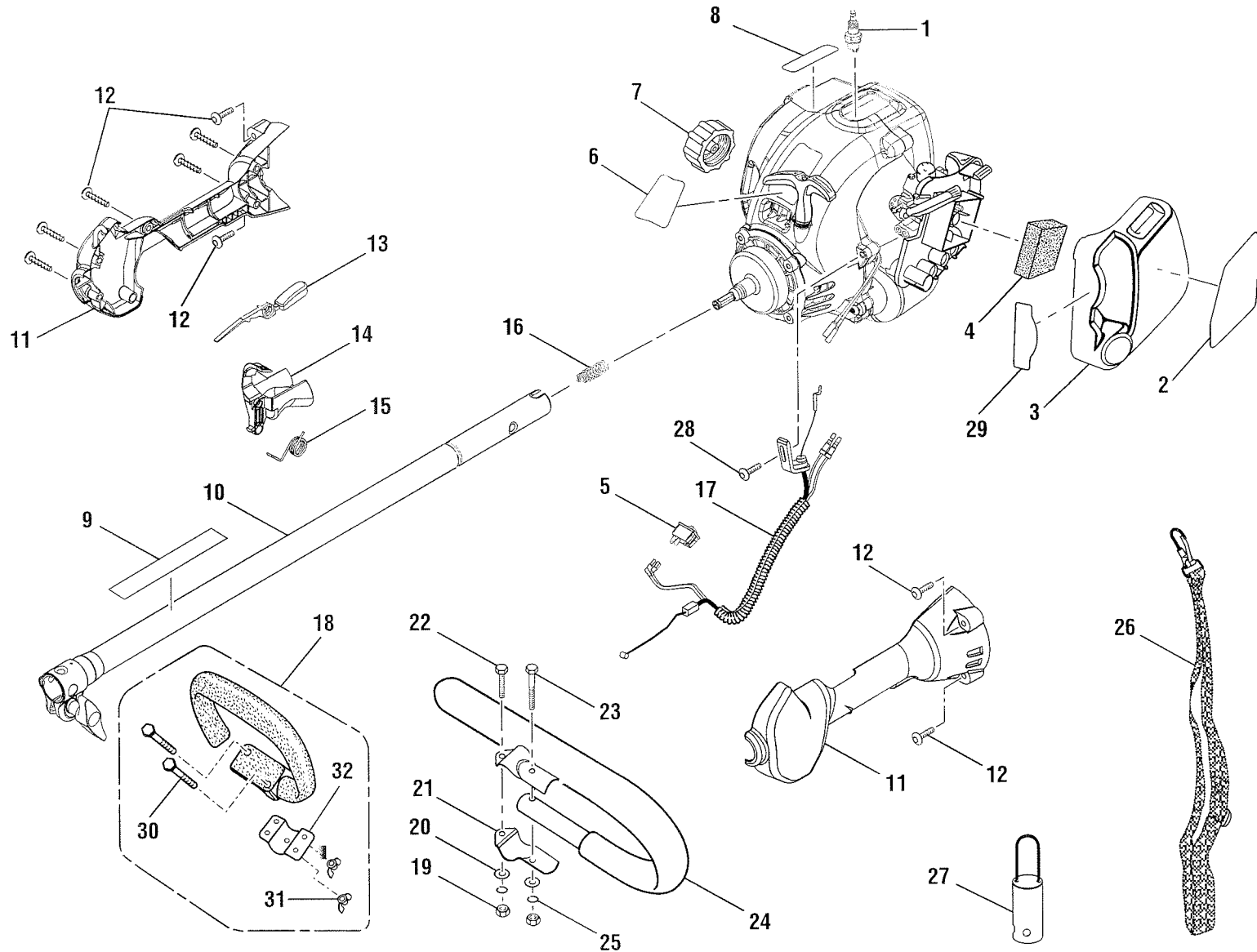


RYOBI 30cc STRING TRIMMERS AND BRUSHCUTTER
MODEL NUMBERS - RY30522, RY30542, RY30562, RY30923, RY30943, RY30963

FIGURE A



**RYOBI 30cc STRING TRIMMERS AND BRUSHCUTTER
MODEL NUMBERS – RY30522, RY30542, RY30562, RY30923, RY30943, RY30963**

FIGURE A PARTS LIST

Key No.	Part Number	Description	Qty.	Key No.	Part Number	Description	Qty.
1	870174001	* Spark Plug (Champion RCJ6Y)	1	17	308439001	Throttle and Lead Assembly	1
2	940967004	Starting Label	1	18	308472001	Front Handle Assembly (CS30 and SS30)	1
3	518096001	Air Box Cover	1	19	678016001	* Hex Nut (1/4-20) (BC30)	2
4	900952001	Air Filter Element	1	20	678013001	Washer (BC30)	2
5	760363002	Switch (Momentary Contact)	1	21	638014001	Handle Bar Clamp (BC30)	2
6	940627021	Model Label (CS30)	1	22	660643002	* Bolt (1/4-20 x 1 in. Hex Hd.) (BC30)	1
	940627022	Model Label (SS30)	1	23	660643001	* Bolt (1/4-20 x 1-1/2 in. Hex Hd.) (BC30)	1
	940627023	Model Label (BC30)	1	24	308046001	"J" Handle and Grip (BC30)	1
7	300758006	Fuel Cap Assembly.	1	25	678012001	Lock Washer (BC30)	2
8	940299600	Logo Plate	1	26	308487001	Shoulder Strap (BC30)	1
9	940230132	Warning Decal (CS30 and SS30)	1	27	518019001	Hanger Cap	1
	940627027	Warning Decal (BC30)	1	28	660616001	* Screw (10-24 x 7/8 in.)	1
10	000998353	Upper Boom Assembly (CS30 and SS30)	1	29	940330006	Choke Label	1
	000998354	Upper Boom Assembly (BC30)	1	30	660881001	* Bolt (M5 x 30 mm Hex Hd.) (CS30 and SS30)	2
11	000998236	Control Handle Assembly.	1	31	678256001	* Wing Nut (M5)	2
12	660618002	* Screw (10-14 x 1 in.)	9	32	638008001	Handle Bar Clamp (CS30 and SS30)	1
13	518011002	Trigger Lock	1		987000079	Operator's Manual	
14	518012002	Trigger	1		987000080	Replacement Parts List	
15	678021001	Torsion Spring.	1				
16	678252001	Compression Spring.	1				

* Purchase locally from retailer where unit was purchased.

RYOBI 30cc STRING TRIMMERS AND BRUSHCUTTER
MODEL NUMBERS - RY30522, RY30542, RY30562, RY30923, RY30943, RY30963

FIGURE B
MODEL
RY30522
RY30923

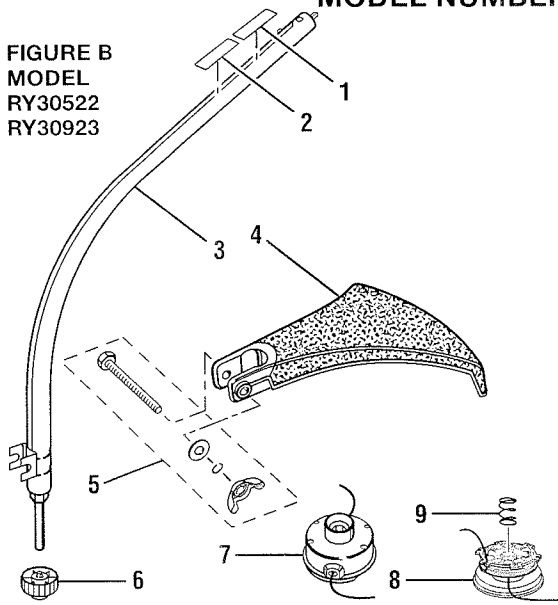


FIGURE B
MODEL
RY30542
RY30943

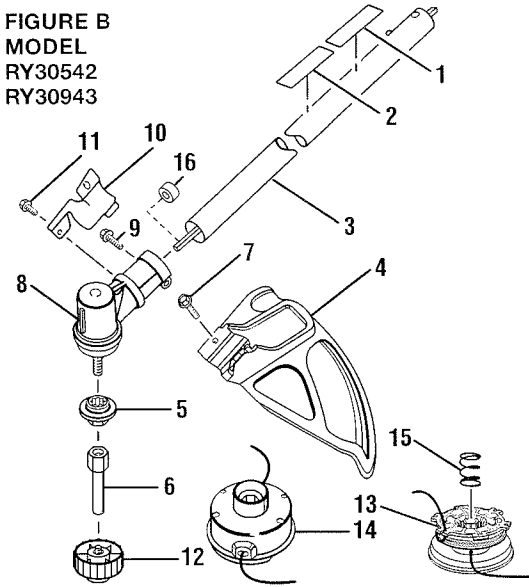
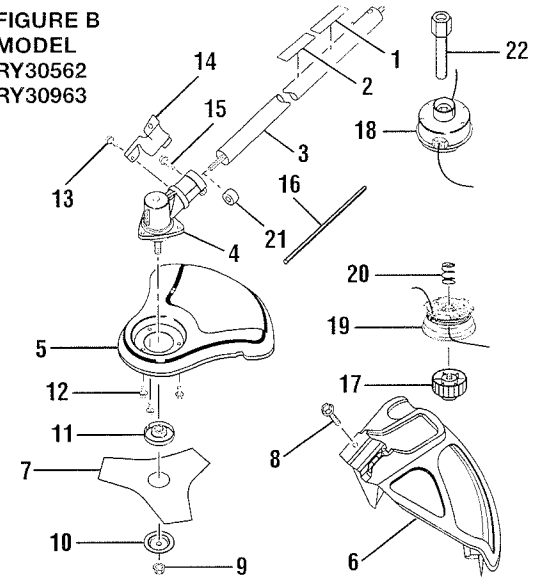


FIGURE B
MODEL
RY30562
RY30963



Key No.	Service Number	Description	Qty.
1	940627024	Expand-it Label	1
2	940230132	Warning Decal	1
3	000998239	Curved Shaft Assembly	1
4	308052001	Grass Deflector	1
5	120650001	Fastener Kit	1
6	308042002	Spool Retainer (Black)	1
7	000998360	Complete String Head (.080 in.) (Inc. Key Nos. 6, 8, and 9)	1
8	308044007	Spool and String (.080 in.)	1
9	678022001	Compression Spring	1

Key No.	Service Number	Description	Qty.
1	940627024	Expand-it Label	1
2	940230132	Warning Decal	1
3	000998240	Straight Shaft Assembly	1
4	308473001	Grass Deflector Assembly	1
5	678011002	Washer	1
6	678019002	Shaft Adapter	1
7	660886001	* Screw (1/4-20 x 1-1/4 in.)	1
8	308053004	Gear Head	1
9	660642001	* Screw (1/4-20 x 1-1/4 in.)	1
10	638125001	Clamp	1
11	660736001	* Screw (10-24 x 5/8 in.)	1
12	308042003	Spool Retainer (Red)	1
13	308044008	Spool and String (.095 in.)	1
14	000998361	Complete String Head (.095 in.) (Inc. Key Nos. 12, 13, and 15)	1
15	678022001	Compression Spring	1
16	518367001	Spacer	1

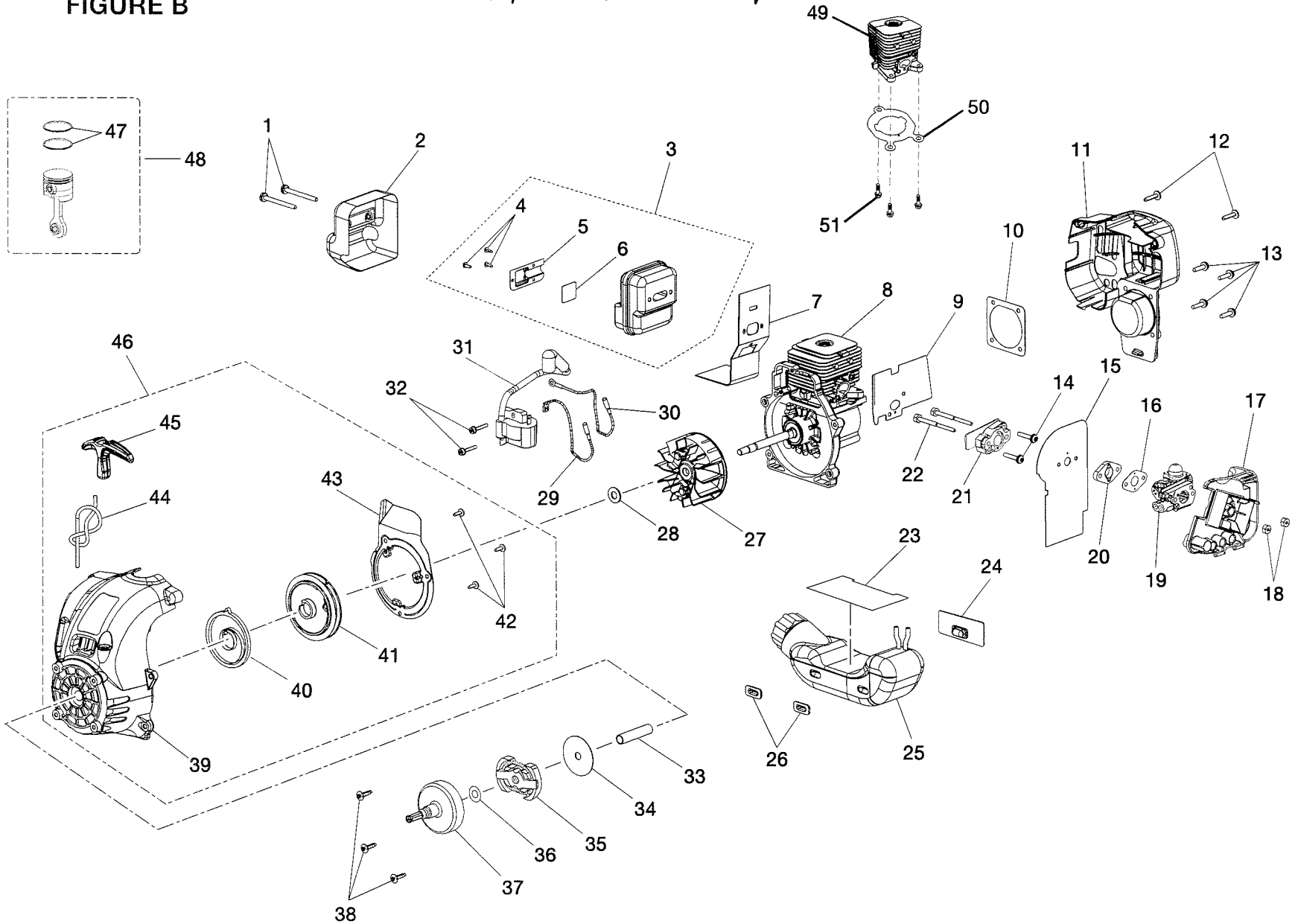
Key No.	Service Number	Description	Qty.
1	940627024	Expand-it Label	1
2	940627027	Brushcutter Safety Label	1
3	000998241	Straight Shaft Assy.	1
4	308053001	Gear Head	1
5	638120001	Brushcutter Guard	1
6	308473001	Grass Deflector Assy.	1
7	638006004	Tri-Arc® Blade	1
8	660886001	* Screw (1/4-20 x 1-1/4 in.)	1
9	678018001	Lock Nut	1
10	638017001	Cupped Washer	1
11	678011001	Flanged Washer	1
12	660737001	* Screw (10-24 x 1/2 in.)	3
13	660736001	* Screw (10-24 x 5/8 in.)	1
14	638125001	Clamp	1
15	660642001	* Screw (1/4-20 x 1-1/4 in.)	1
16	678020001	Holding Pin	1
17	308042003	Spool Retainer (Red)	1
18	000998361	Complete String Head (.095 in.) (Inc. Key Nos. 17, 19, and 20)	1
19	308044008	Spool and String (.095 in.)	1
20	678022001	Compression Spring	1
21	518367001	Spacer	1
22	678019002	Shaft Adapter	1

* Purchase locally from retailer where unit was purchased.

RYOBI 30cc STRING TRIMMERS AND BRUSHCUTTER
MODEL NUMBERS - RY30522, RY30542, RY30562

RY30923, RY30943 & RY30963

FIGURE B



**RYOBI 30cc STRING TRIMMERS AND BRUSHCUTTER
MODEL NUMBERS – RY30522, RY30542, RY30562**

FIGURE A PARTS LIST (FIGURE B)

Key No.	Part Number	Description	Qty.	Key No.	Part Number	Description	Qty.
1	660638003	* Screw (10-24 x 2-1/8 in. Torx Tr. Hd.)	2	24	570549001	Rubber Bumper	1
2	638094001	Heat Shield	1	25	308181005	Fuel Tank Assembly w/Cap	1
3	308092008	Muffler Assembly	1	26	570256001	Bumper	2
4	660870001	Screw (Recessed Pan Hd.)	3	27	308433001	Rotor w/Pawls Assembly	1
5	638044001	Outlet Tube	1	28	650017001	Washer	1
6	638268001	Screen	1	29	290222001	Lead w/Terminals	1
7	900994006	Muffler Gasket	1	30	290223001	Lead w/Terminals	1
8	308192004	Short Block Assembly (30 cc) (External Gaskets Not Included)	1	31	308389002	Ignition Module w/3 Sec. Kill Switch	1
9	900994010	Intake Gasket	1	32	660660001	* Screw (8-32 x 1 in.)	2
10	900954001	Cover Gasket	1	33	638091002	Spacer Tube	1
11	518107003	Rear Housing	1	34	638090001	Washer	1
12	660674001	* Screw (10-14 x 7/8 in. Truss Hd. Tf.)	2	35	300960002	Clutch Assembly	1
13	660638004	* Screw w/Lock Washer (10-24 x 3/4 in. Pan Hd. Torx)	4	36	678257001	Clutch Washer	1
14	660662001	* Screw (10-24 x 1 in. Pan Hd.)	2	37	308177001	Drum and Connector	1
15	900740002	Carburetor Gasket	1	38	660630002	* Screw (10-24 x 3/4 in.)	3
16	900994004	Carburetor Gasket (Non-strato)	1	39	308436001	Starter Housing and Eyelet Assembly	1
17	518094001	Air Filter Base	1	40	638033001	Spring and Container	1
18	678027001	* Lock Nut (10-24)	2	41	308374001	Starter Pulley Assembly	1
19	308054004	Carburetor Assembly	1	42	660694001	* Screw (8-16 x 1/2 in.)	3
20	590456003	Spacer	1	43	638229001	Baffle/Isolator	1
21	518070001	Heat Dam	1	44	900849002	Starter Rope (42 in.)	1
22	660346002	Carburetor Mounting Bolt (10 x 2-1/2 in.)	2	45	511731001	Starter Grip	1
23	900999002	Tank Insulation Gasket	1	46	308194004	Starter Housing Assembly	1
				47	690161005	Piston Ring	2
				48	308023003	Piston w/Rod Assembly	1
				49	640069002	Cylinder, 30cc	1
				50	900953001	Cylinder Gasket	1
				51	660342002	* Screw (M5 x 20 mm)	3

* Purchase locally from retailer where unit was purchased.