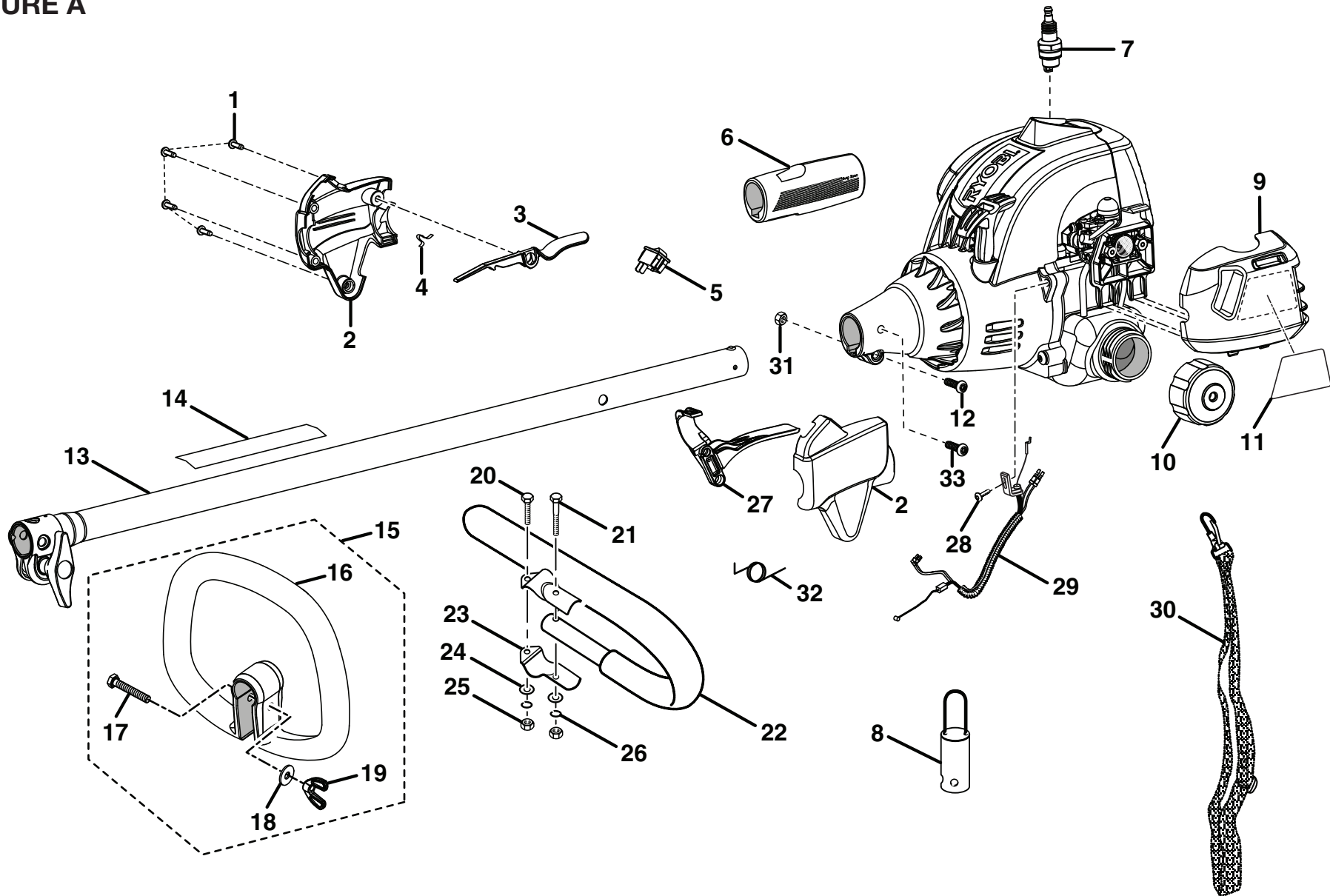


RYOBI 30cc STRING TRIMMERS AND BRUSHCUTTER  
MODEL NUMBERS – RY30530, RY30550, RY30570, RY30931, RY30951, RY30971

FIGURE A



**RYOBI 30cc STRING TRIMMERS AND BRUSHCUTTER**  
**MODEL NUMBERS – RY30530, RY30550, RY30570, RY30931, RY30951, RY30971**

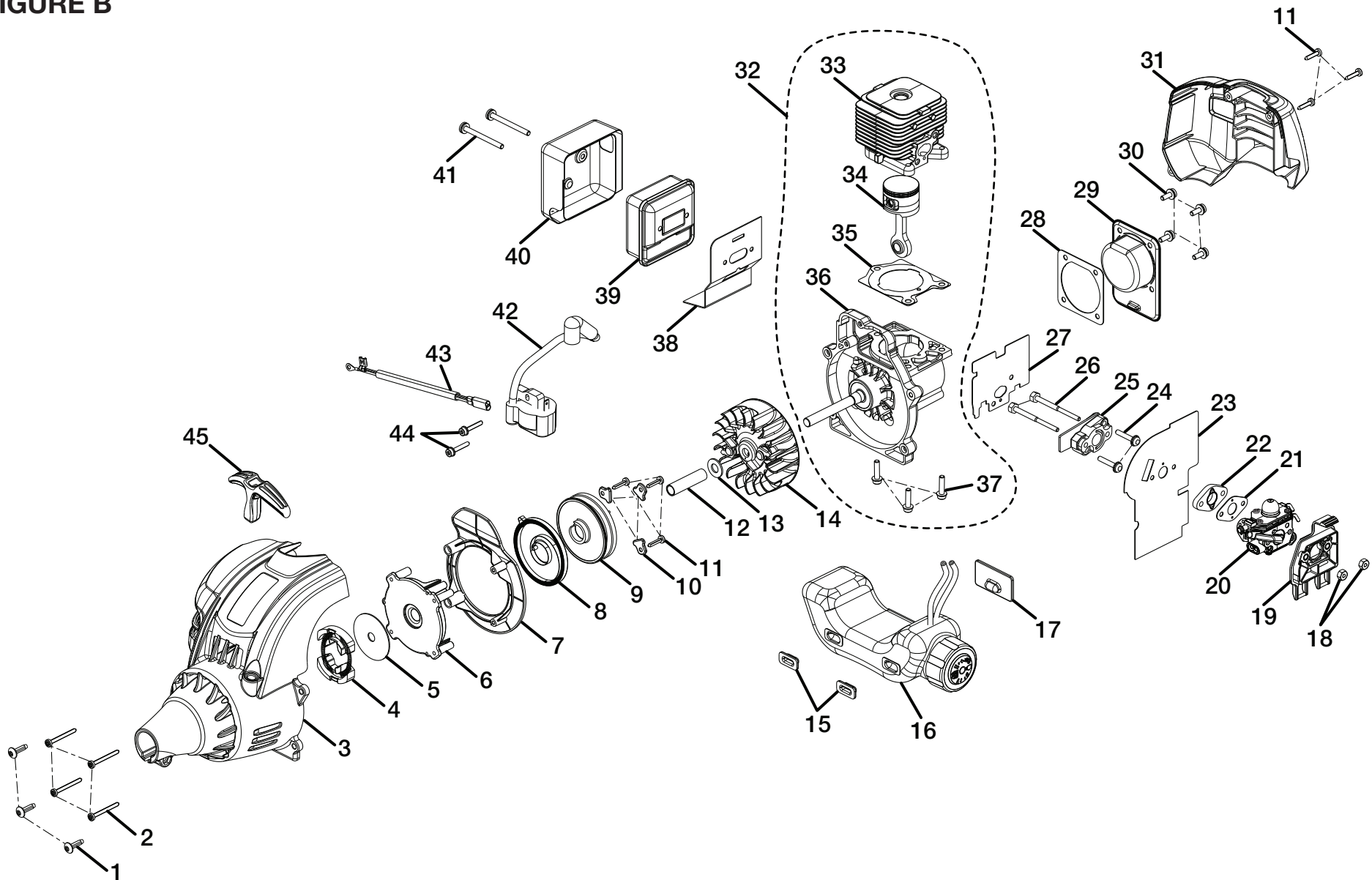
**PARTS LIST (FIGURE A)**

KEY NO.	PART NUMBER	DESCRIPTION	QTY	KEY NO.	PART NUMBER	DESCRIPTION	QTY
1	660563002	* Screw (M4 x 20 mm) .....	4	18	678008001	Flat Washer .....	1
2	308869002	Control Handle Assembly .....	1	19	518949001	* Wing Nut (1/4-20) .....	1
3	518695001	Trigger Lock .....	1	20	660643002	* Bolt (1/4-20 x 1 in. Hex Hd.) (BC30) .....	1
4	638431001	Strap Hanger .....	1	21	660643001	* Bolt (1/4-20 x 1-1/2 in. Hex Hd.) (BC30) .....	1
5	760700002	Switch (Momentary Contact) .....	1	22	308046001	“J” Handle and Grip (BC30) .....	1
6	570234002	Rear Handle .....	1	23	638014001	Handle Bar Clamp (BC30) .....	2
7	870174001	* Spark Plug (Champion RCJ6Y) .....	1	24	678013001	Washer (BC30) .....	2
8	518366001	Hanger Cap .....	1	25	678016001	* Hex Nut (1/4-20) (BC30) .....	2
9	518777001	Air Box Cover .....	1	26	678012001	Lock Washer (BC30) .....	2
10	300758006	Fuel Cap Assembly .....	1	27	518696001	Throttle Trigger .....	1
11	940686026	Label .....	1	28	660616001	* Screw (10-24 x 7/8 in.) .....	1
12	660697002	Bolt (M6 x 20 mm) .....	1	29	308439003	Throttle and Lead Assembly (Inc. Key No. 5) .....	1
13	308470004	Upper Boom Assembly .....	1	30	308487001	Shoulder Harness (BC30) .....	1
14	940230132	Warning Decal (CS30 and SS30) .....	1	31	678029002	* Hex Nut (M6) .....	1
	940627024	Warning Decal (BC30) .....	1	32	690694002	Spring .....	1
15	308991001	Front Handle Assembly (CS30 and SS30) .....	1	33	660634001	* Screw (8-16 x 5/16 in. Torx T.F.) .....	1
16	518738001	Front Handle .....	1		987000184	Operator’s Manual (960703002)	
17	660643008	Bolt (1/4-20 x 40 mm) .....	1		11-07-08 (REV:04)		

\* STANDARD HARDWARE ITEM – MAY BE PURCHASED LOCALLY

RYOBI 30cc STRING TRIMMERS AND BRUSHCUTTER  
MODEL NUMBERS – RY30530, RY30550, RY30570, RY30931, RY30951, RY30971

FIGURE B



**RYOBI 30cc STRING TRIMMERS AND BRUSHCUTTER**  
**MODEL NUMBERS – RY30530, RY30550, RY30570, RY30931, RY30951, RY30971**

**PARTS LIST (FIGURE B)**

KEY NO.	PART NUMBER	DESCRIPTION	QTY	KEY NO.	PART NUMBER	DESCRIPTION	QTY
1	660630002	* Screw (10-24 x 3/4 in.)	3	24	660662001	* Screw (10-24 x 1 in. Pan Hd.)	2
2	661508001	* Screw (M4 x 38 mm)	4	25	518070001	Heat Dam	1
3	308194005	Starter Housing Assembly	1	26	660346002	* Screw (10 x 2-1/2 in.)	2
4	300960002	Clutch Assembly	1	27	901657001	Heat Dam Gasket	1
5	638090001	Washer	1	28	900954001	Crankcase Gasket	1
6	518134001	Starter Retaining	1	29	638031001	Crankcase Cover	1
7	518854001	Baffle Plate	1	30	660664001	* Pan Head Screw (10-24 x 14mm)	4
8	638033001	Spring & Container	1	31	518775001	Rear Housing	1
9	308386001	Pulley Assembly	1	32	308192008	Short Block Assembly (Inc. Key Nos. 33-37)	1
10	638389001	Pulley Retainer	3	33	640069002	Cylinder	1
11	660466001	* Screw (M4 x 18 mm)	6	34	308023003	Piston w/Rod Assembly	1
12	638284003	Spacer	1	35	900953001	Cylinder Gasket	1
13	650017001	Washer	1	36	308191008	Crankcase Assembly	1
14	308433004	Rotor Assembly	1	37	660342002	* Screw (M5 x 0.8-20 mm)	3
15	570256001	Bumper	2	38	901452005	Muffler Gasket	1
16	308181008	Fuel Tank & Cap Assembly	1	39	309316001	Muffler Assembly	1
17	570549001	Bumper	1	40	638481001	Heat Shield	1
18	678027001	* Lock Nut (10-24)	2	41	660638003	* Screw (10-24 x 2-1/8 in.)	2
19	518766001	Air Filter Base	1	42	308389002	Ignition Module	1
20	308054012	Carburetor Assembly	1	43	308863014	Electrical Wire Assembly	1
21	900994004	Carburetor Gasket	1	44	660660001	* Screw (M4 x 25 mm)	2
22	590456003	Spacer	1	45	511731001	Starter Grip	1
23	900740003	Carburetor Gasket	1				

\* STANDARD HARDWARE ITEM – MAY BE PURCHASED LOCALLY