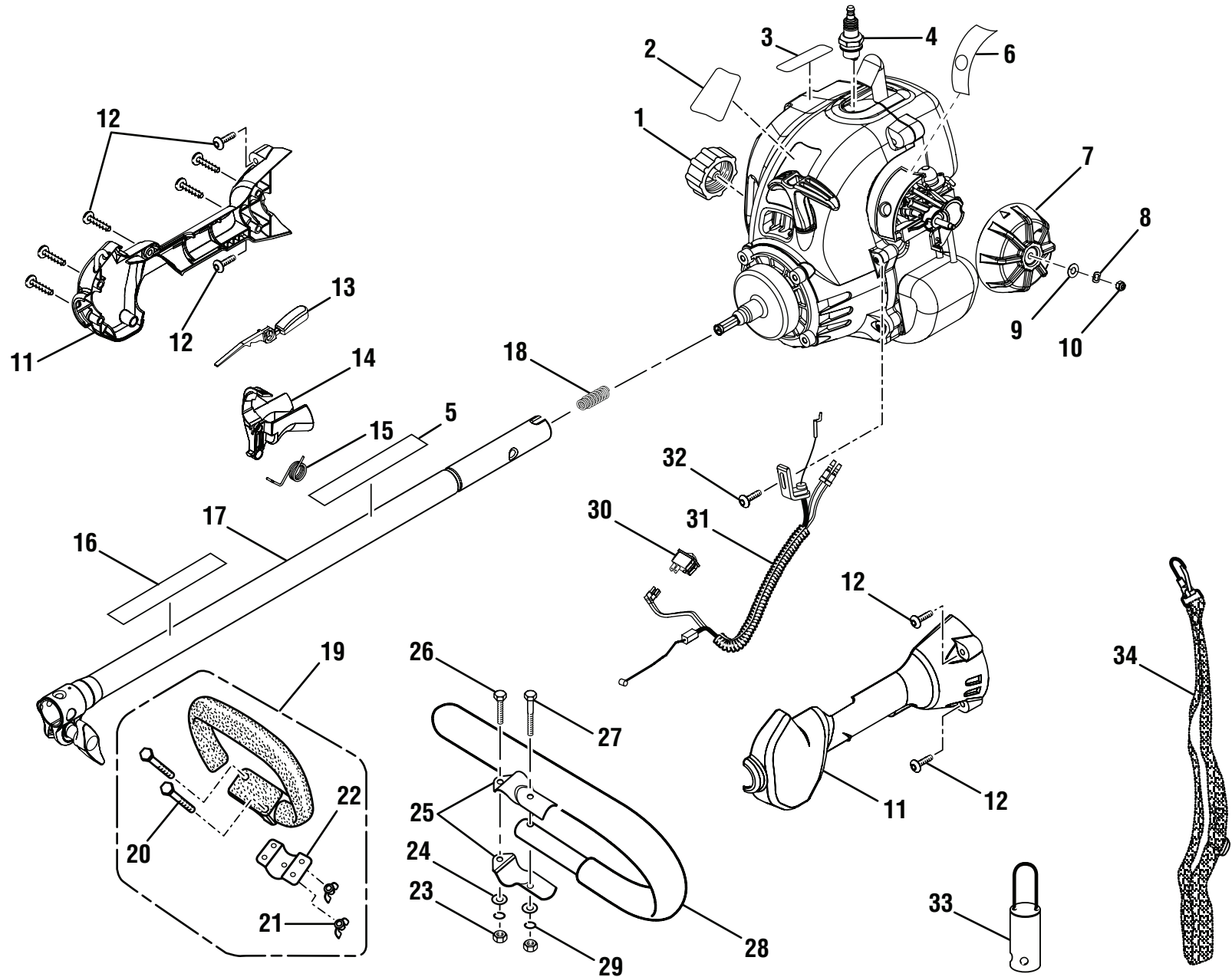


RYOBI 30cc STRING TRIMMERS AND BRUSHCUTTER
MODEL NUMBERS - RY30524, RY30544, RY30564

FIGURE A



**RYOBI 30cc STRING TRIMMERS AND BRUSHCUTTER
MODEL NUMBERS – RY30524, RY30544, RY30564**

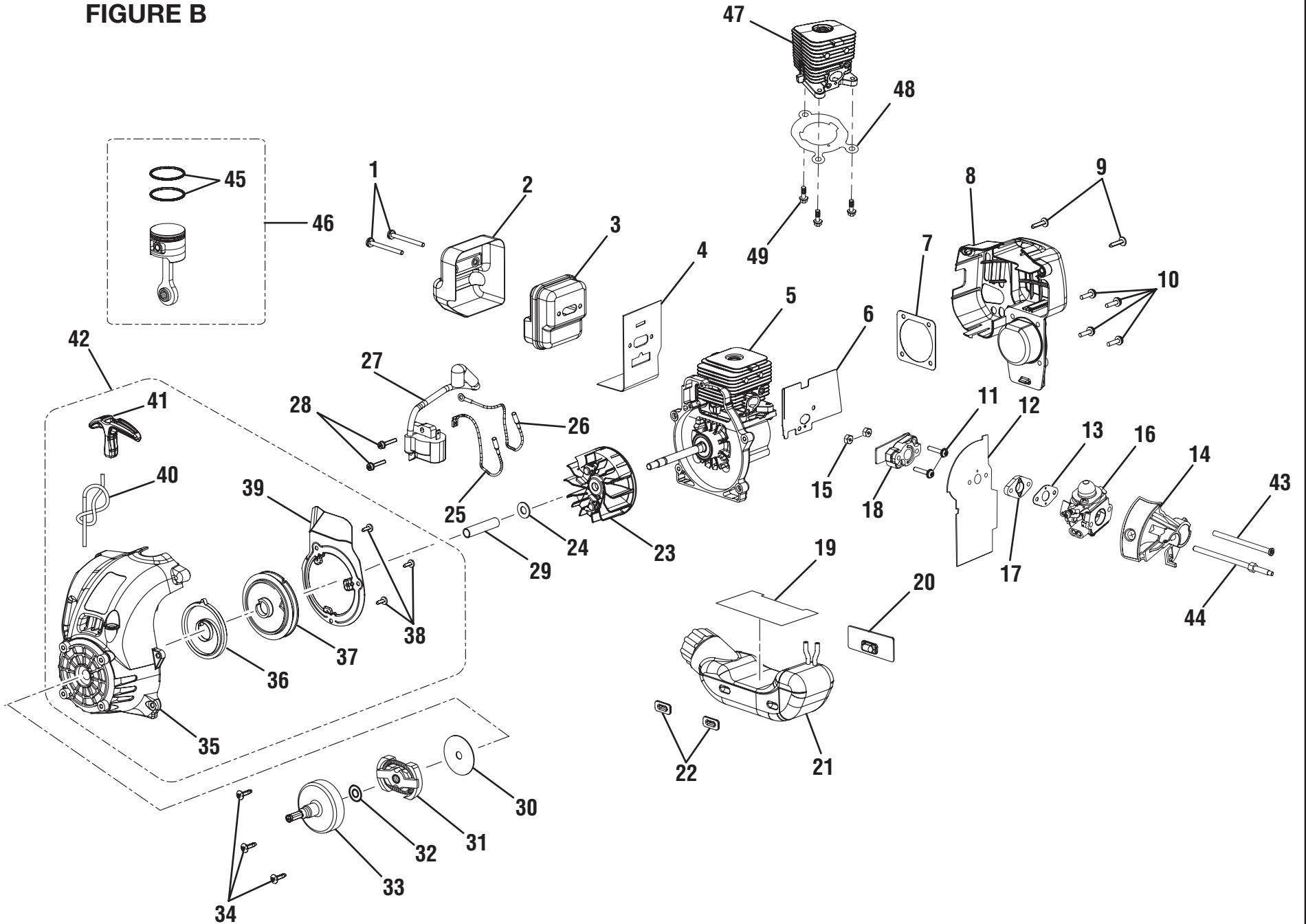
FIGURE A PARTS LIST

Key No.	Part Number	Description	Qty.	Key No.	Part Number	Description	Qty.
1	300758006	Fuel Cap Assembly.....	1	18	678252001	Compression Spring.....	1
2	940627021	Model Label (CS30).....	1	19	308472001	Front Handle Assembly (CS30 and SS30).....	1
	940627022	Model Label (SS30).....	1				
	940627023	Model Label (BC30).....	1	20	660881001	* Bolt (M5 x 30 mm Hex Hd.) (CS30 and SS30).....	2
3	940299600	Logo Label.....	1	21	678256001	* Wing Nut (M5).....	2
4	870174001	* Spark Plug (Champion RCJ6Y).....	1	22	638008001	Handle Bar Clamp (CS30 and SS30).....	1
5	940734008	Starting Label.....	1	23	678016001	* Hex Nut (1/4-20) (BC30).....	2
6	940647008	Choke Label.....	1	24	678013001	Washer (BC30).....	2
7	518496002	Choke Dial Cover.....	1	25	638014001	Handle Bar Clamp (BC30).....	2
8	678434002	Wavy Washer.....	1	26	660643002	* Bolt (1/4-20 x 1 in. Hex Hd.) (BC30).....	1
9	678434001	Flat Washer.....	1	27	660643001	* Bolt (1/4-20 x 1-1/2 in. Hex Hd.) (BC30) ..	1
10	678435001	* Hex Nut (M4).....	1	28	308046001	"J" Handle and Grip (BC30).....	1
11	000998236	Control Handle Assembly.....	1	29	678012001	Lock Washer (BC30).....	2
12	660618002	* Screw (10-14 x 1 in.).....	9	30	760363002	Switch (Momentary Contact).....	1
13	518011002	Trigger Lock.....	1	31	308439001	Throttle and Lead Assembly.....	1
14	518012002	Trigger.....	1	32	660616001	* Screw (10-24 x 7/8 in.).....	1
15	678021001	Torsion Spring.....	1	33	518019001	Hanger Cap.....	1
16	940230132	Warning Decal (CS30 and SS30).....	1	34	308487001	Shoulder Strap (BC30).....	1
	940627027	Warning Decal (BC30).....	1		987000116	Operator's Manual	
17	000998353	Upper Boom Assembly (CS30 and SS30).....	1		09-30-09	(REV:01)	
	000998354	Upper Boom Assembly (BC30).....	1				

* Purchase locally from retailer where unit was purchased.

RYOBI 30cc STRING TRIMMERS AND BRUSHCUTTER
MODEL NUMBERS - RY30524, RY30544, RY30564

FIGURE B



**RYOBI 30cc STRING TRIMMERS AND BRUSHCUTTER
MODEL NUMBERS – RY30524, RY30544, RY30564**

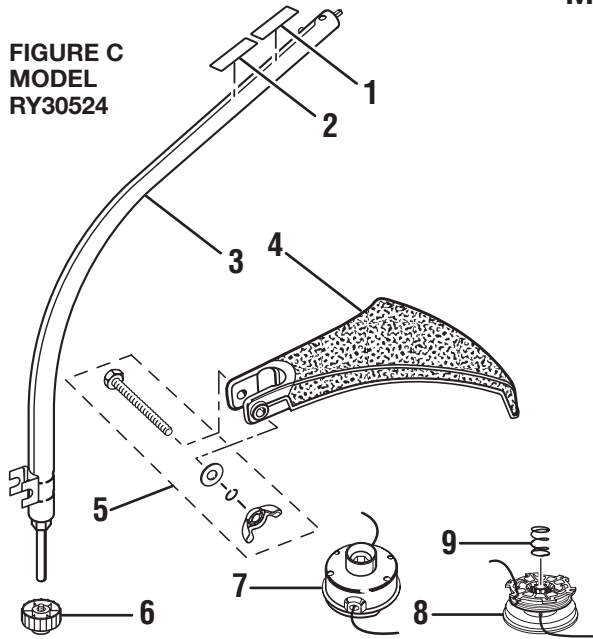
FIGURE B PARTS LIST

Key No.	Part Number	Description	Qty.	Key No.	Part Number	Description	Qty.
1	660638003	* Screw (10-24 x 2-1/8 in. Torx Tr. Hd.).....	2	25	290222001	Lead w/Terminals	1
2	638094001	Heat Shield	1	26	290223001	Lead w/Terminals	1
3	308092008	Muffler Assembly	1	27	308389002	Ignition Module w/3 Sec. Kill Switch.....	1
4	900994006	Muffler Gasket	1	28	660660001	Screw (8-32 Thd Forming)	2
5	308192004	Short Block Assembly (30 cc) (External Gaskets Not Included)	1	29	638091003	Spacer Tube	1
6	900994010	Intake Gasket	1	30	638090001	Washer (Pkg)	1
7	900954001	Cover Gasket	1	31	300960002	Clutch Assembly	1
8	518107003	Rear Housing	1	32	678257001	Clutch Washer	1
9	660674001	* Screw (10-14 x 7/8 in. Truss Hd. T.f.)	2	33	308177001	Drum and Connector.....	1
10	660638004	* Screw w/Lock Washer (10-24 x 3/4 in. Pan Hd. Torx)	4	34	660630002	* Screw (10-24 x 3/4 in.)	3
11	660662001	Screw (10-24 Pan Hd.)	2	35	308436001	Starter Housing and Eyelet Assembly	1
12	900740002	Carburetor Gasket	1	36	638033001	Spring and Container	1
13	900994004	Carburetor Gasket (Non-strato)	1	37	308374001	Starter Pulley Assembly	1
14	518498002	Roto-choke Base	1	38	660694001	Screw (Thread Forming)	3
15	678536001	* Nut (M5-0.8 x 5)	2	39	638229001	Baffle/Isolator	1
16	308054007	Carburetor Assembly	1	40	900849002	Starter Rope 42 (Pkg)	1
17	590456003	Spacer	1	41	511731001	Starter Grip	1
18	518070001	Heat Dam	1	42	308194004	Starter Housing Assembly (Inc. key nos. 35-41)	1
19	900999002	Tank Insulation Gasket	1	43	660454002	Bolt (M5-0.8 x 57).....	1
20	570549001	Rubber Bumper	1	44	660453002	Double Sided Hex Bolt	1
21	308181005	Fuel Tank Assembly w/Cap	1	45	690161005	Piston Ring	2
22	570256001	Bumper	2	46	308023003	Piston w/Rod Assembly	1
23	308433001	Rotor w/Pawls Assembly	1	47	640069002	Cylinder, 30cc	1
24	650017001	Washer	1	48	900953001	Cylinder Gasket	1
				49	660342002	Screw (M5 X 20 mm)	3

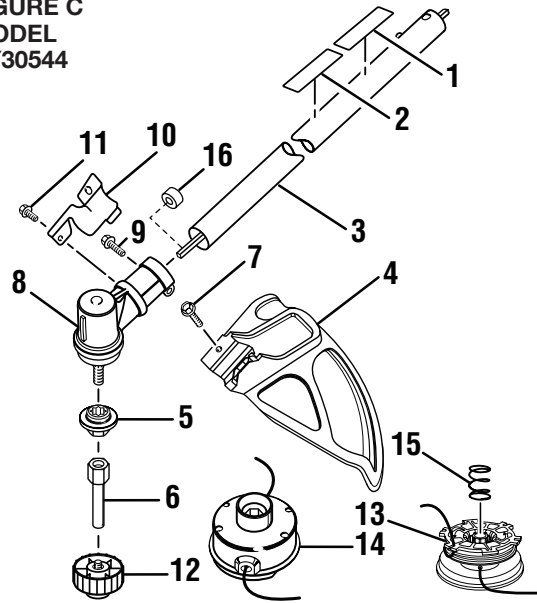
* Purchase locally from retailer where unit was purchased.

**RYOBI 30cc STRING TRIMMERS AND BRUSHCUTTER
MODEL NUMBERS – RY30524, RY30544, RY30564**

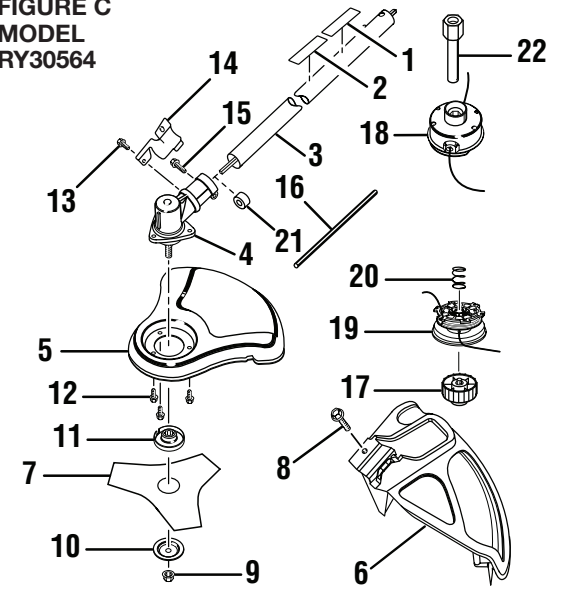
**FIGURE C
MODEL
RY30524**



**FIGURE C
MODEL
RY30544**



**FIGURE C
MODEL
RY30564**



Key No.	Part Number	Description	Qty.
1	940627024	Expand-it Label.....	1
2	940230132	Warning Decal	1
3	000998239	Curved Shaft Assembly	1
4	308052001	Grass Deflector	1
5	120650001	Fastener Kit.....	1
6	308042002	Spool Retainer (Black).....	1
7	000998360	Complete String Head (.080 in.) (Inc. Key Nos. 6, 8, and 9).....	1
8	308044007	Spool and String (.080 in.).....	1
9	678022001	Compression Spring	1

Key No.	Part Number	Description	Qty.
1	940627024	Expand-it Label.....	1
2	940230132	Warning Decal.....	1
3	000998240	Straight Shaft Assembly	1
4	308473001	Grass Deflector Assembly	1
5	678011002	Washer	1
6	678019002	Shaft Adapter	1
7	660886001	* Screw (1/4-20 x 1-1/4 in.)	1
8	308053004	Gear Head.....	1
9	660642001	* Screw (1/4-20 x 1-1/4 in.)	1
10	638125001	Clamp	1
11	660736001	* Screw (10-24 x 5/8 in.).....	1
12	308042003	Spool Retainer (Red).....	1
13	308044008	Spool and String (.095 in.)	1
14	000998361	Complete String Head (.095 in.) (Inc. Key Nos. 12, 13, and 15).....	1
15	678022001	Compression Spring	1
16	518367001	Spacer.....	1

Key No.	Part Number	Description	Qty.
1	940627024	Expand-it Label.....	1
2	940627027	Brushcutter Safety Label	1
3	000998241	Straight Shaft Assembly.....	1
4	308053001	Gear Head.....	1
5	638120001	Brushcutter Guard	1
6	308473001	Grass Deflector Assy.....	1
7	638006004	Tri-Arc® Blade.....	1
8	660886001	* Screw (1/4-20 x 1-1/4 in.)	1
9	678018001	Lock Nut	1
10	638017001	Cupped Washer	1
11	678011001	Flanged Washer	1
12	660737001	* Screw (10-24 x 1/2 in.).....	3
13	660736001	* Screw (10-24 x 5/8 in.).....	1
14	638125001	Clamp.....	1
15	660642001	* Screw (1/4-20 x 1-1/4 in.).....	1
16	678020001	Holding Pin	1
17	308042003	Spool Retainer (Red).....	1
18	000998361	Complete String Head (.095 in.) (Inc. Key Nos. 17, 19, and 20).....	1
19	308044008	Spool and String (.095 in.)	1
20	678022001	Compression Spring	1
21	518367001	Spacer.....	1
22	678019002	Shaft Adapter.....	1

* Purchase locally from retailer where unit was purchased.