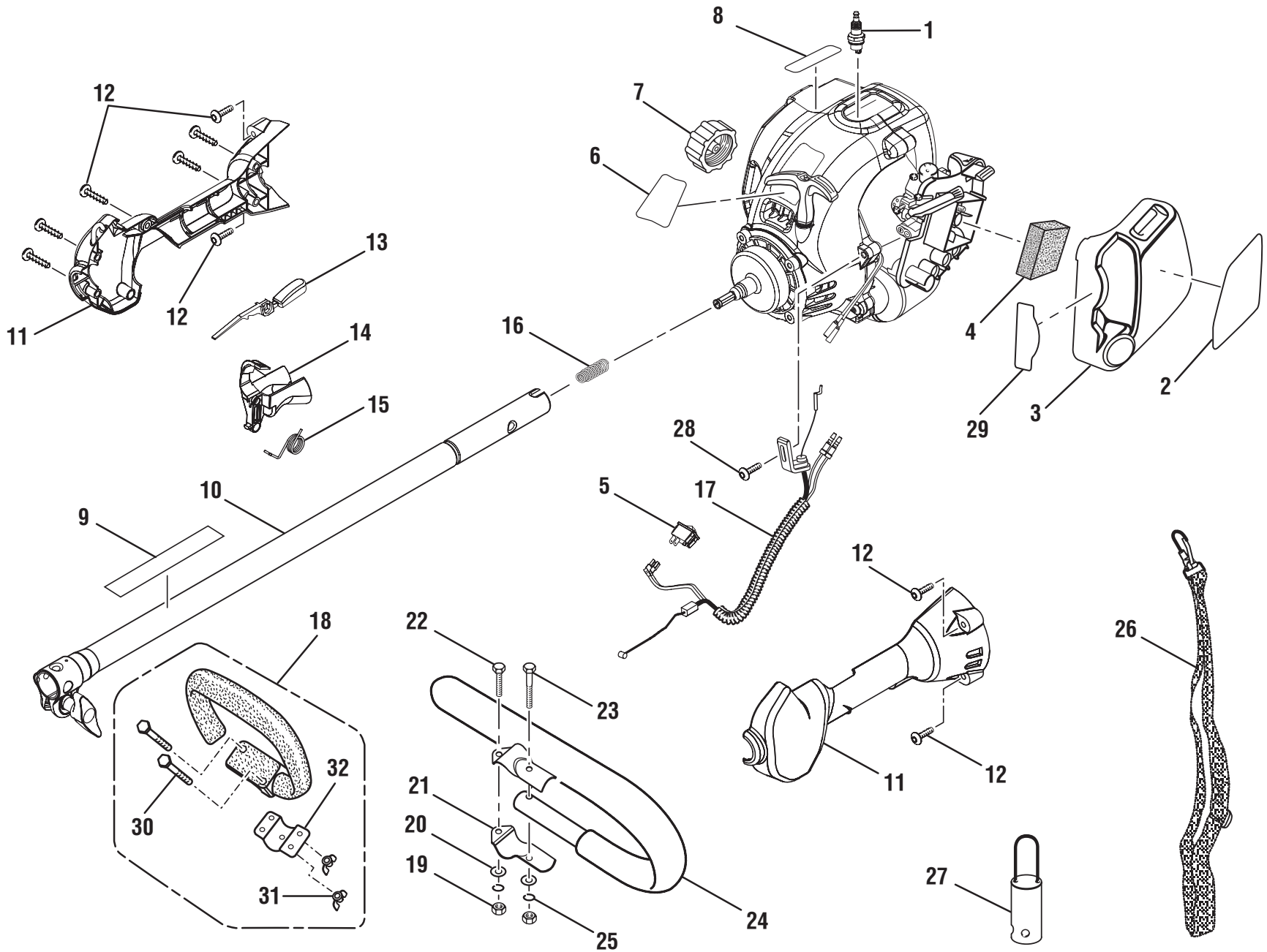


RYOBI 30cc STRING TRIMMERS AND BRUSHCUTTERS
MODEL NUMBERS – RY30220, RY30240, RY30260



**RYOBI 30cc STRING TRIMMERS AND BRUSHCUTTERS
MODEL NUMBERS – RY30220, RY30240, RY30260**

FIGURE A PARTS LIST

KEY NO.	SERVICE NUMBER	DESCRIPTION	QTY.	KEY NO.	SERVICE NUMBER	DESCRIPTION	QTY.
1	870170001	SPARK PLUG (*CHAMPION RCJ4)	1	17	308439001	THROTTLE AND LEAD ASSEMBLY	1
2	940967004	STARTING LABEL	1	18	308472001	FRONT HANDLE ASSEMBLY (CS30 AND SS30)	1
3	518096001	AIR BOX COVER	1	19	678016001	* HEX NUT (1/4-20) (BC30)	2
4	900952001	AIR FILTER ELEMENT	1	20	678013001	WASHER (BC30)	2
5	760363002	SWITCH (MOMENTARY CONTACT)	1	21	638014001	HANDLE BAR CLAMP (BC30)	2
6	940627021	MODEL LABEL (CS30)	1	22	660643002	* BOLT (1/4-20 X 1 in. HEX HD.) (BC30)	1
	940627022	MODEL LABEL (SS30)	1	23	660643001	* BOLT (1/4-20 X 1-1/2 in. HEX HD.) (BC30)	1
	940627023	MODEL LABEL (BC30)	1	24	308046001	“J” HANDLE AND GRIP (BC30)	1
7	300758006	FUEL CAP ASSEMBLY	1	25	678012001	LOCK WASHER (BC30)	2
8	940299600	LOGO PLATE	1	26	308487001	SHOULDER STRAP (BC30)	1
9	940230132	WARNING DECAL (CS30 AND SS30)	1	27	518019001	HANGER CAP	1
	940627027	WARNING DECAL (BC30)	1	28	660616001	* SCREW (10-24 X 7/8 in.)	1
10	000998237	UPPER BOOM ASSEMBLY (CS30 AND SS30)	1	29	940330006	CHOKE LABEL	1
	000998238	UPPER BOOM ASSEMBLY UPPER (BC30)	1	30	660881001	* BOLT (M5 X 30 mm HEX HD.) (CS30 AND SS30)	2
11	000998236	CONTROL HANDLE ASSEMBLY	1	31	678256001	* WING NUT (M5)	2
12	660618002	* SCREW (10-14 X 1 in.)	9	32	638008001	HANDLE BAR CLAMP (CS30 AND SS30)	1
13	518011002	TRIGGER LOCK	1		983000993	OPERATOR'S MANUAL	
14	518012002	TRIGGER	1		983000993R	REPAIR SHEET (REV:00)	
15	678021001	TORSION SPRING	1		5-5-06		
16	678252001	COMPRESSION SPRING	1				

* PURCHASE LOCALLY FROM RETAILER WHERE UNIT WAS PURCHASED.

**RYOBI 30cc STRING TRIMMERS AND BRUSHCUTTERS
MODEL NUMBERS – RY30220, RY30240, RY30260**

KEY NO.	PART NUMBER	DESCRIPTION	QTY.	KEY NO.	PART NUMBER	DESCRIPTION	QTY.
1	660638003	* SCREW (10-24 X 2-1/8 in. TORX TR. HD.)	2	27	308433001	ROTOR W/PAWLS ASSEMBLY	1
2	638094001	HEAT SHIELD	1	28	650017001	WASHER	1
3	308092008	MUFFLER ASSEMBLY	1	29	290222001	LEAD W/TERMINALS	1
4	660870001	SCREW (RECESSED PAN HD.)	3	30	290223001	LEAD W/TERMINALS	1
5	638044001	OUTLET TUBE	1	31	308389002	IGNITION MODULE W/3 SEC. KILL SWITCH	1
6	638268001	SCREEN	1	32	660660001	SCREW (THD FORMING)	2
7	900994006	MUFFLER GASKET	1	33	638091002	SPACER TUBE	1
8	308192004	SHORT BLOCK ASSEMBLY (30 cc) (EXTERNAL GASKETS NOT INCLUDED)	1	34	638090001	WASHER (PKG)	1
9	900994010	INTAKE GASKET	1	35	300960002	CLUTCH ASSEMBLY	1
10	900954001	COVER GASKET	1	36	678257001	CLUTCH WASHER	1
11	518107003	REAR HOUSING	1	37	308177001	DRUM AND CONNECTOR	1
12	660674001	* SCREW (10-14 X 7/8 in. TRUSS HD. T.F.)	2	38	660630002	* SCREW (10-24 X 3/4 in.)	3
13	660638004	* SCREW W/LOCK WASHER (10-24 X 3/4 in. PAN HD. TORX)	4	39	308436001	STARTER HOUSING AND EYELET ASSEMBLY	1
14	660662001	SCREW (PAN HD.)	2	40	638033001	SPRING AND CONTAINER	1
15	900740002	CARBURETOR GASKET	1	41	308374001	STARTER PULLEY ASSEMBLY	1
16	900994004	CARBURETOR GASKET (NON-STRATO)	1	42	660694001	SCREW (THREAD FORMING)	3
17	518094001	AIR FILTER BASE	1	43	638229001	BAFFLE/ISOLATOR	1
18	678027001	* LOCK NUT (10-24)	2	44	900849002	STARTER ROPE 42 (PKG)	1
19	308054004	CARBURETOR ASSEMBLY	1	45	511731001	STARTER GRIP	1
20	590456003	SPACER	1	46	308194004	STARTER HOUSING ASSEMBLY	1
21	518070001	HEAT DAM	1	47	690161005	PISTON RING	2
22	660346002	CARBURETOR MOUNTING BOLT (#10 X 2-1/2 in.)	2	48	308023003	PISTON W/ROD ASSEMBLY	1
23	900999002	TANK INSULATION GASKET	1	49	640069002	CYLINDER, 30CC	1
24	570549001	RUBBER BUMPER	1	50	900953001	CYLINDER GASKET	1
25	308181005	FUEL TANK ASSEMBLY W/CAP	1	51	660342002	SCREW (M5 X 20 mm)	3
26	570256001	BUMPER	2				

* STANDARD HARDWARE ITEM – MAY BE PURCHASED LOCALLY

** STOCK ITEM – MAY BE SECURED THROUGH THE HARDWARE DEPARTMENT OF MOST HOME DEPOT STORES

RYOBI 30cc STRING TRIMMERS AND BRUSHCUTTERS
MODEL NUMBERS – RY30220, RY30240, RY30260

FIGURE B
MODEL
RY30220

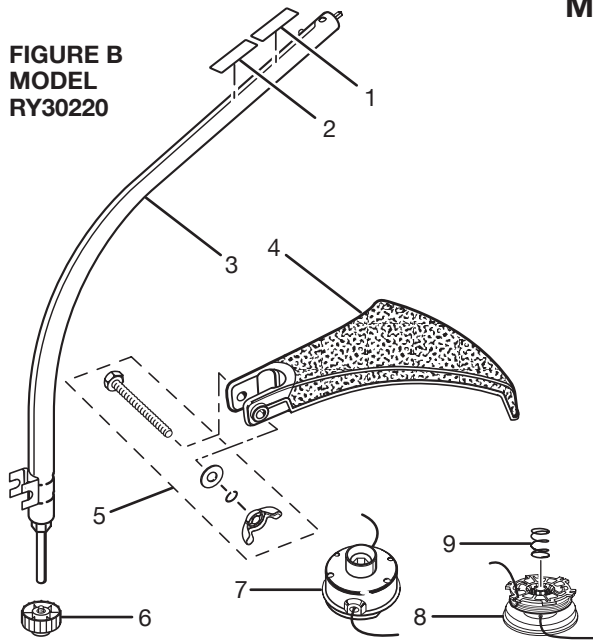


FIGURE B
MODEL
RY30240

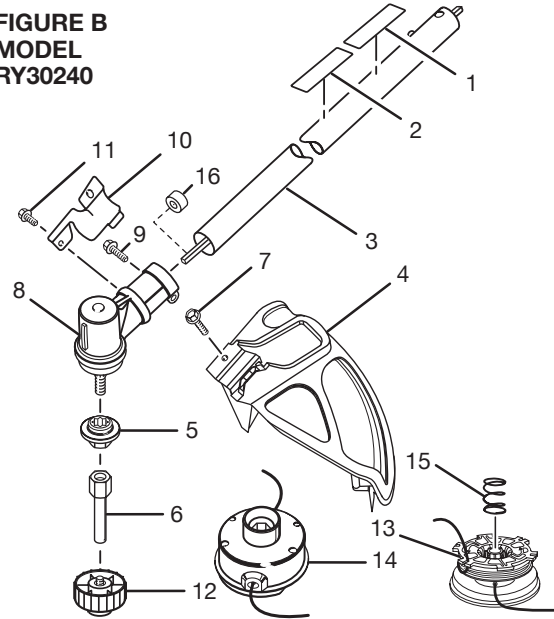
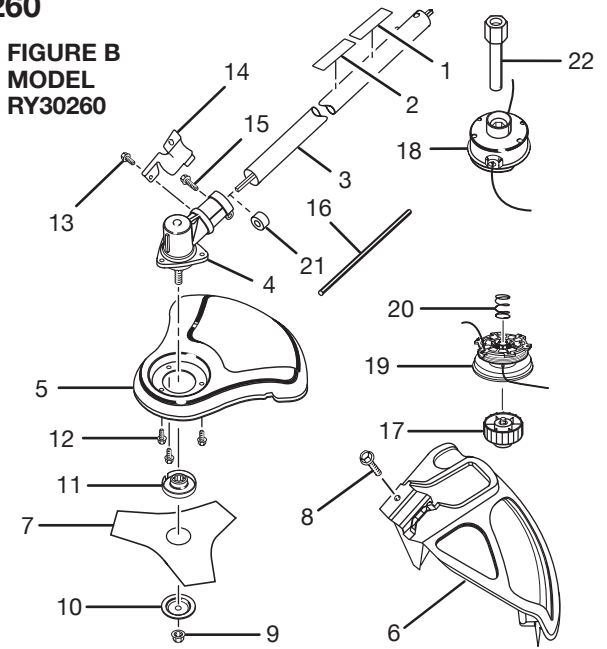


FIGURE B
MODEL
RY30260



Key No.	Service Number	Description	Qty.
1	940627024	Expand-it Label	1
2	940230132	Warning Decal	1
3	000998239	Curved Shaft Assembly (Incl. 1,2)	1
4	308052001	Grass Deflector	1
5	120650001	Fastener Kit	1
6	308042002	Spool Retainer (Black)	1
7	000998230	Complete String Head (.080 in.) (Incl. 6,8,9)	1
8	308044002	Spool and String (.080 in.)	1
9	678022001	Compression Spring	1

Key No.	Service Number	Description	Qty.
1	940627024	Expand-it Label	1
2	940230132	Warning Decal	1
3	000998240	Straight Shaft Assembly (Incl. 1,2)	1
4	308473001	Grass Deflector Assembly (Incl. 7)	1
5	678011002	Flanged Washer	1
6	678019002	Shaft Adapter	1
7	660886001	Screw (1/4-20 x 0.70-0.75 in.)	1
8	308053004	Gear Case Assembly	1
9	660642001	Screw (1/4-20 x 1-1/4 in.)	1
10	638125001	Clamp	1
11	660736001	Screw (10-24 x 5/8 in. Hex Hd.)	1
12	308042003	Spool Retainer (Red)	1
13	308044003	Spool and String (.095 in.)	1
14	000998265	Complete String Head Assembly (.095 in.) (Incl. 12,13,15)	1
15	678022001	Compression Spring	1
16	518367001	Spacer	1

Key No.	Service Number	Description	Qty.
1	940627024	Expand-it Label	1
2	940627027	Warning Decal	1
3	000998241	Brushcutter Assy. (Incl. 1,2)	1
4	308053001	Gear Case Assembly	1
5	638120001	8 in. Blade Guard	1
6	308473001	Grass Deflector Assy.	1
7	638006004	Tri-Arc® Blade	1
8	660886001	Screw (1/4-20 x 0.70-0.75 in.)	1
9	678018001	Lock Nut	1
10	638017001	Cupped Washer	1
11	678011001	Flanged Washer	1
12	660737001	Screw (10-24 x 1/2 in.)	3
13	660736001	Screw (10-24 x 5/8 in.)	1
14	638125001	Clamp	1
15	660642001	Screw (1/4-20 x 1-1/4 in.)	1
16	678020001	Holding Pin	1
17	308042003	Spool Retainer (Red)	1
18	000998265	Complete String Head (.095 in.) (Incl. 17,19,20)	1
19	308044003	Spool and String (.095 in.)	1
20	678022001	Compression Spring	1
21	518367001	Spacer	1
22	678019002	Shaft Adapter	1

* Purchase locally from retailer where unit was purchased.