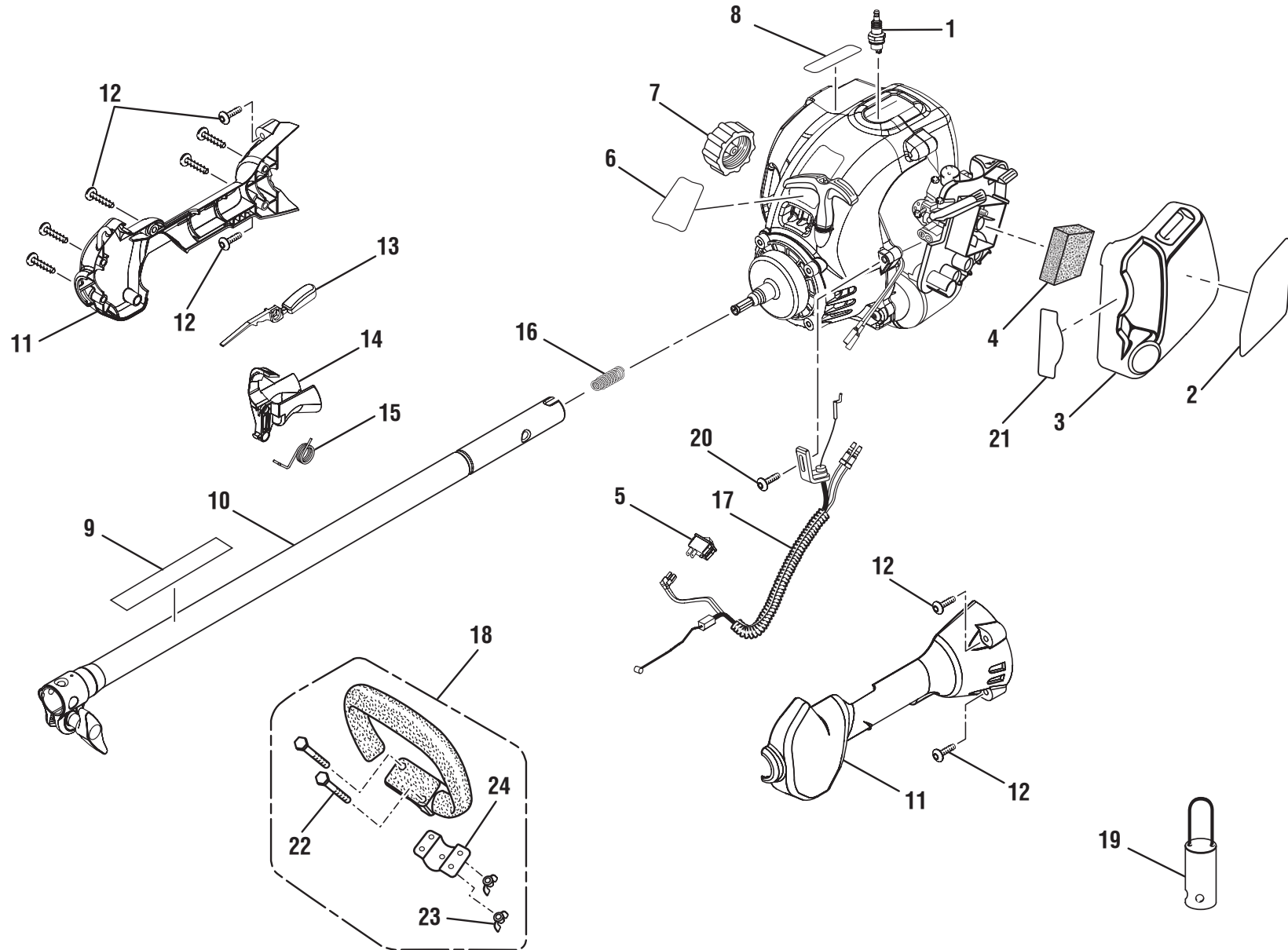


RYOBI 30CC STRING TRIMMER WITH EXPAND-IT™ EDGER ATTACHMENT
MODEL NUMBER – RY30130

RY30120

FIGURE A



**RYOBI 30CC STRING TRIMMER WITH EXPAND-IT™ EDGER ATTACHMENT
MODEL NUMBER – RY30130**

RY30120

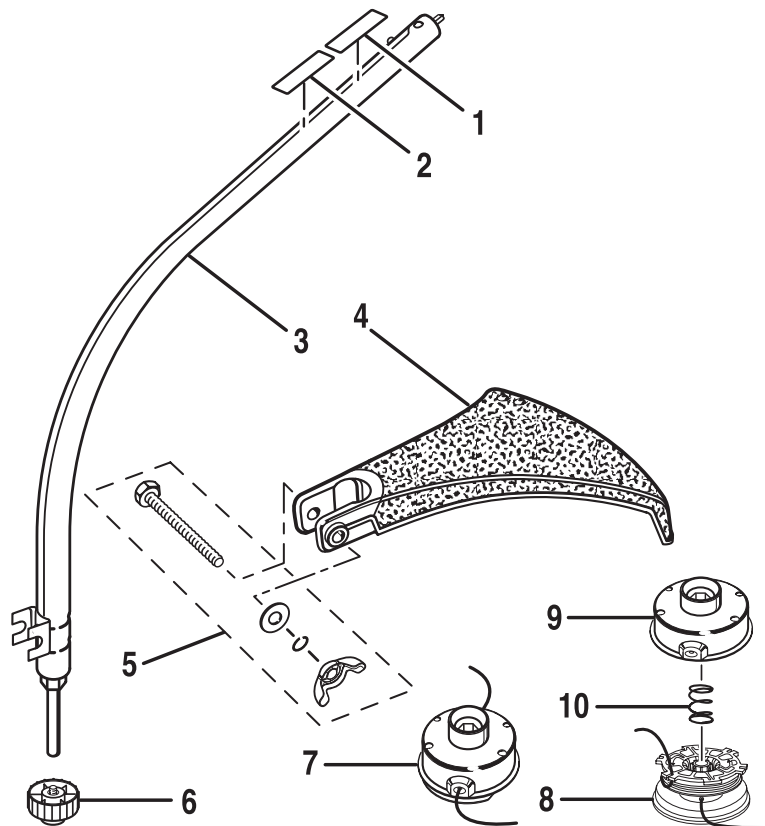
FIGURE A PARTS LIST

KEY NO.	PART NUMBER	DESCRIPTION	QTY.	KEY NO.	PART NUMBER	DESCRIPTION	QTY.
1	870170001	Spark Plug (*Champion RCJ4)	1	14	518012002	Trigger.	1
2	940967004	Starting Label	1	15	678021001	Torsion Spring.	1
3	518096001	Air Box Cover	1	16	678252001	Compression Spring.	1
4	900952001	Air Filter Element	1	17	308439001	Throttle and Lead Assembly	1
5	760363002	Switch (Momentary Contact)	1	18	308472001	Front Handle Assembly	1
6	940627021	Model Label	1	19	518019001	Hanger Cap	1
7	300758006	Fuel Cap Assembly.	1	20	660616001	Screw (10-24 x 7/8 in.)	1
8	940299600	Logo Plate	1	21	940330006	Choke Label	1
9	940230132	Warning Decal	1	22	660881001	* Bolt (M5 x 30 mm Hex Hd.)	2
10	000998237	Upper Boom Assembly (Includes Key No. 9)	1	23	678256001	* Wing Nut (M5).	2
11	000998236	Control Handle Assembly.	1	24	638008001	Handle Bar Clamp	1
12	660618002	* Screw (10-14 x 1 in.)	9		983000903	Operator's Manual	
13	518011002	Trigger Lock	1		983000904	Replacement Parts List	

* Purchase locally from retailer where unit was purchased.

RYOBI 30CC STRING TRIMMER WITH EXPAND-IT™ EDGER ATTACHMENT
MODEL NUMBER – RY30130

RY30120

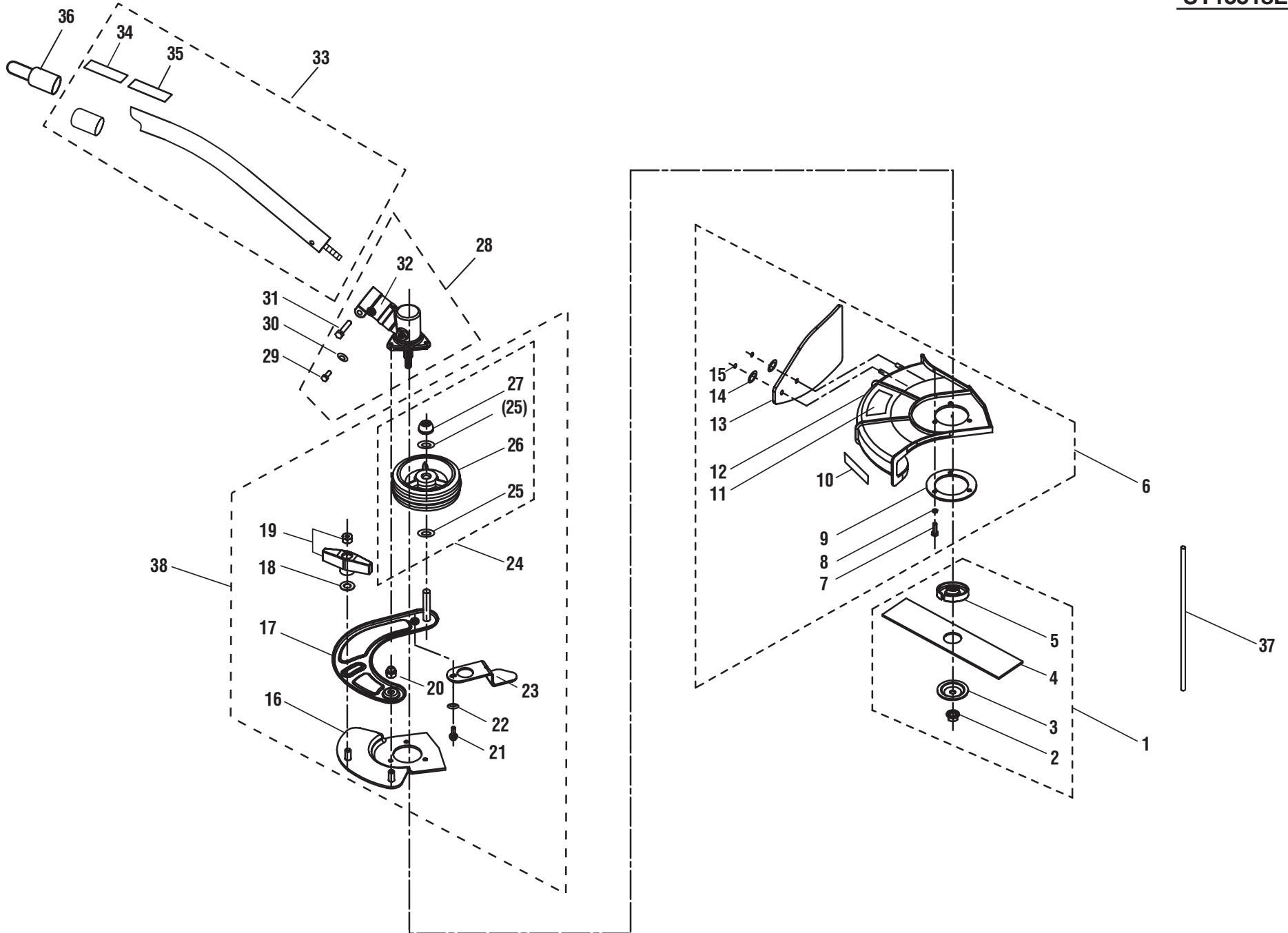


KEY NO.	SERVICE NUMBER	DESCRIPTION	QTY.
1	940627024	Expand-it Label.....	1
2	940230132	Warning Decal	1
3	000998239	Curved Shaft Assembly	1
4	308052001	Grass Deflector	1
5	120650001	Fastener Kit	1
6	308042002	Spool Retainer (Black).....	1
7	000998230	Complete String Head (.080 in.).....	1
8	308044002	Spool and String (.080 in.) w/Spring.....	1
9	308043001	Housing and Eyelet	1
10	678022001	Compression Spring	1

* Purchase locally from retailer where unit was purchased.

RYOBI 30CC STRING TRIMMER WITH EXPAND-IT™ EDGER ATTACHMENT
MODEL NUMBER – RY30130

UT15518E



**RYOBI 30CC STRING TRIMMER WITH EXPAND-IT™ EDGER ATTACHMENT
MODEL NUMBER – RY30130**

UT15518E

KEY NO.	PART NUMBER	DESCRIPTION	QTY.	KEY NO.	PART NUMBER	DESCRIPTION	QTY.
1	099078001001	Blade Assembly (Includes Key Nos. 2-5)	1	22	099078001023	* Washer (5 mm)	1
2	099078001002	* Lock Nut (M8)	1	23	099078001024	Curb Guide	1
3	099078001003	Cupped Washer	1	24	099078001025	Wheel Assembly	1
4	099078001004	Blade	1			(Includes Key Nos. 25-27)	
5	099078001005	Flanged Washer	1	25	099078001026	* Washer (10 mm)	2
6	099078001006	Blade Guard Assembly	1	26	099078001027	Wheel	1
		(Includes Key Nos. 7-15)		27	099078001028	* Push Nut (10 mm)	1
7	099078001007	* Screw (10-24 X 5/8 in. Hex Hd.)	3	28	099078001029	Gear Head & Screw Assembly	1
8	099078001008	* Lock Washer (5 mm)	3			(Includes Key Nos. 29-32)	
9	099078001009	Flange	1	29	099078001030	* Screw (M5 X 12 mm Hex Hd.)	1
10	099078001010	Warning Decal	1	30	099078001031	* Lock Washer (5 mm)	1
11	099078001011	Expand-it Logo Label	1	31	099078001032	* Cap Screw (M6 X 30 mm)	1
12	099078001012	Blade Guard	1	32	099078001033	Gear Head Assembly	1
13	099078001013	Drag Flap	1	33	099078001034	Boom Assembly	1
14	099078001014	* Washer (6 mm)	2			(Includes Key Nos. 34-35)	
15	099078001015	* Hex Nut (M6)	2	34	099078001038	Warning Decal	1
16	099078001017	Support Plate	1	35	099078001041	Warning Label (UL)	1
17	099078001018	Wheel Mounting Plate	1	36	099078001039	Hanger Cap	1
18	099078001019	* Washer (10 mm)	1	37	099078001040	Holding Pin	1
19	099078001020	Adjusting Knob With Hex Nut	1	38	099078001016	Support Arm Assembly	1
20	099078001021	* Hex Lock Nut (M8)	1			(Includes Key Nos. 16-24)	
21	099078001022	* Screw (M5 X 16 mm Hex Hd.)	1				

* Purchase locally from retailer where unit was purchased.