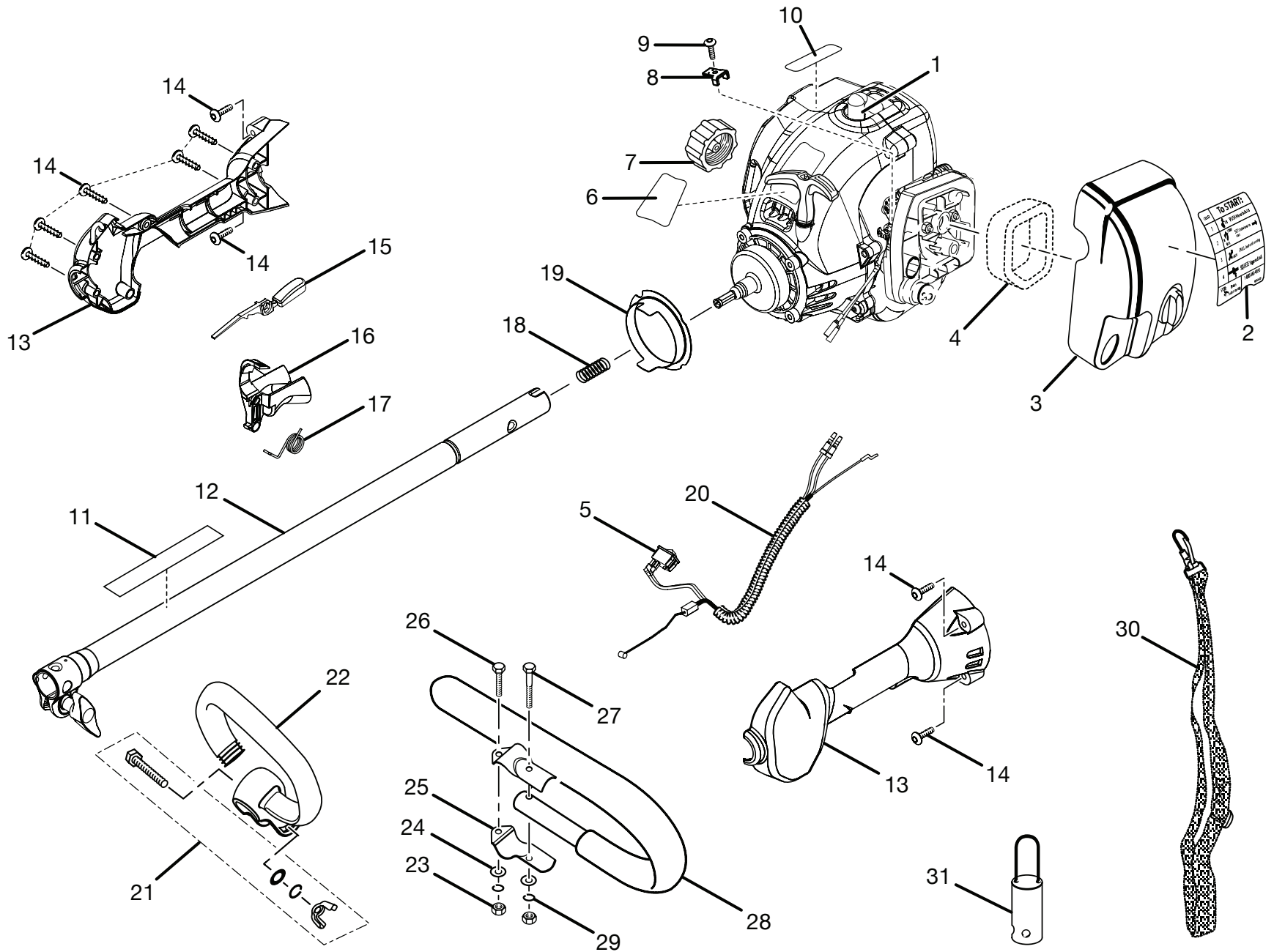


RYOBI 30cc STRING TRIMMERS AND BRUSHCUTTERS
MODEL NUMBERS – RY30020A, RY30040A, RY30060A



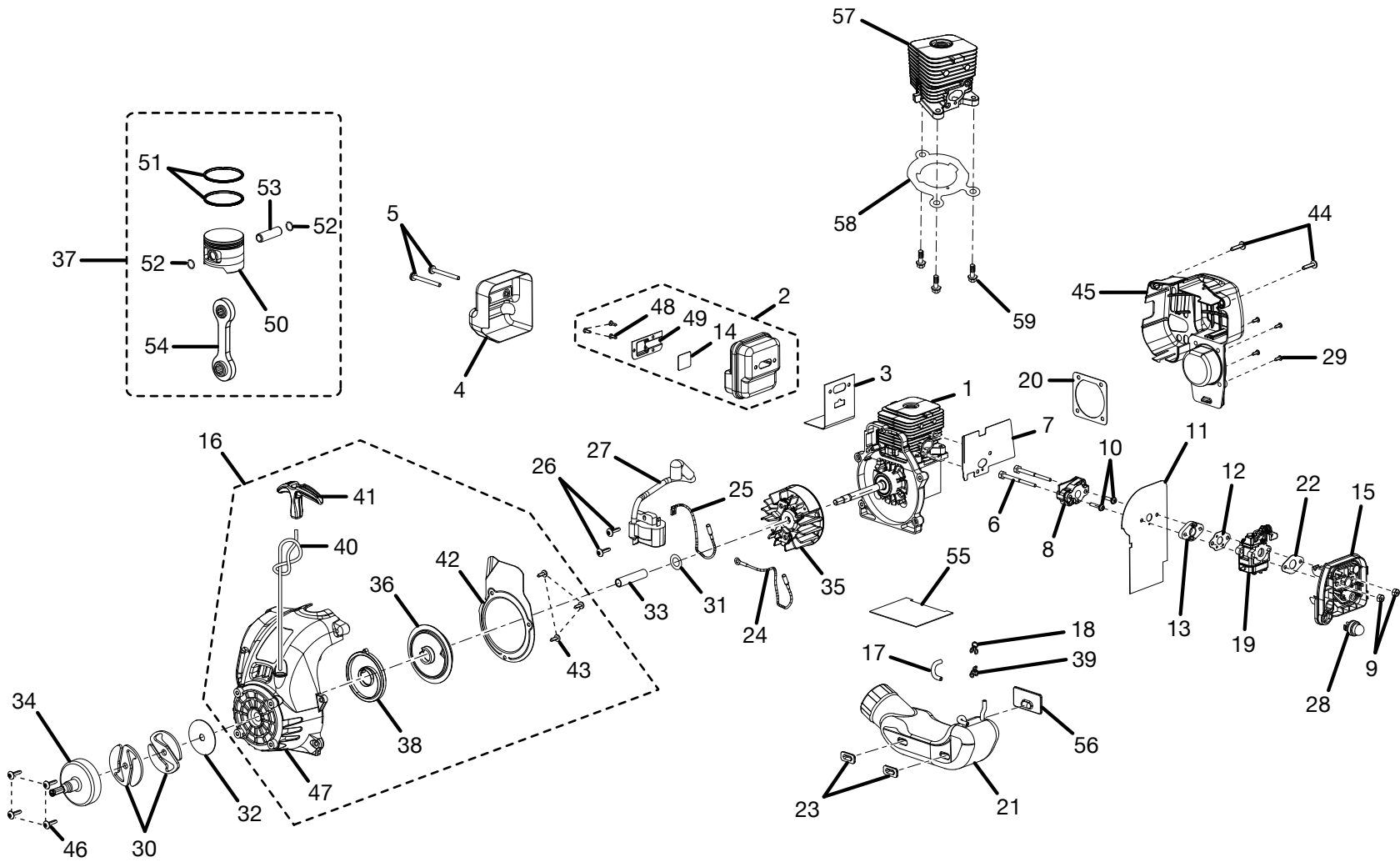
**RYOBI 30cc STRING TRIMMERS AND BRUSHCUTTERS
MODEL NUMBERS – RY30020A, RY30040A, RY30060A**

FIGURE A PARTS LIST

KEY NO.	SERVICE NUMBER	DESCRIPTION	QTY.	KEY NO.	SERVICE NUMBER	DESCRIPTION	QTY.
1	PS02227	SPARK PLUG (*CHAMPION RCJ6Y OR NGK BPMR7)..	1	16	PS06259	TRIGGER	1
2	985426001	STARTING/PRIMER LABEL	1	17	PS01718	SPRING	1
3	985417001	AIR BOX COVER	1	18	986493001	COMPRESSION SPRING.....	1
4	5687301	AIR FILTER	1	19	985835001	RING GUARD	1
5	PS02764	SWITCH (MOMENTARY CONTACT).....	1	20	986469001	THROTTLE CABLE ASSEMBLY (INC. KEY NO. 5)	1
6	985162001	MODEL LABEL (CS30).....	1	21	PA00249	FASTENER KIT (CS30 AND SS30).....	1
	985163001	MODEL LABEL (SS30).....	1	22	06542A	"D" HANDLE (CS30 AND SS30).....	1
	985164001	MODEL LABEL (BC30)	1	23	81242	* HEX NUT (1/4-20) (BC30).....	2
7	300758006	FUEL CAP.	1	24	84004	WASHER (BC30).....	2
8	985411001	THROTTLE CABLE CLIP	1	25	00422	HANDLE BAR CLAMP (BC30)	2
9	983638009	* SCREW (M4 X 16 mm TORX PAN HD.) ..	1	26	82496	* SCREW (1/4-20 X 1 in. HEX CAP)(BC30)	1
10	985157001	LOGO PLATE	1	27	82278	* BOLT (1/4-20 X 1-1/2 in. HEX HD.) (BC30)	1
11	984032002	WARNING DECAL (CS30 AND SS30) ...	1	28	A08130	"J" HANDLE AND GRIP (BC30)	1
	984102002	WARNING DECAL (BC30)	1	29	83009	LOCK WASHER (BC30)	2
12	985383001	BOOM ASSEMBLY (CS30 AND SS30)...	1	30	944701	SHOULDER STRAP (BC30)	1
	985384001	BOOM ASSEMBLY, UPPER (BC30)	1	31	PS02155	HANGER CAP.....	1
13	985382001	HANDLE ASSEMBLY	1		983000686	OPERATOR'S MANUAL	
14	82589	* HANDLE SCREW (10-14 X 1 in. TORX T.F.)..	9		983000686R	REPAIR SHEET (REV:05)	
15	PS06258	TRIGGER LOCK	1		05-03-06		

* PURCHASE LOCALLY FROM RETAILER WHERE UNIT WAS PURCHASED.

RYOBI 30cc STRING TRIMMERS AND BRUSHCUTTERS
MODEL NUMBERS – RY30020A, RY30040A, RY30060A



**RYOBI 30cc STRING TRIMMERS AND BRUSHCUTTERS
MODEL NUMBERS – RY30020A, RY30040A, RY30060A**

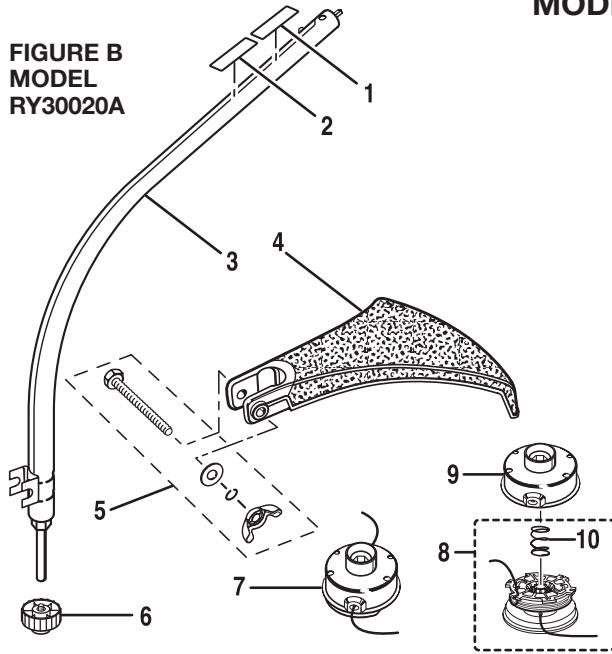
KEY NO.	PART NUMBER	DESCRIPTION	QTY.	KEY NO.	PART NUMBER	DESCRIPTION	QTY.
1	985873001	SHORT BLOCK ASSEMBLY	1	29	984812001	* SCREW (10-24 X 3/4 in. PAN HD. TORX).....	4
2	308092008	MUFFLER ASSEMBLY	1	30	00242	CLUTCH	2
3	984760001	MUFFLER GASKET	1	31	PS05268	WASHER.....	1
4	984743001	HEAT SHIELD	1	32	98929A	WASHER.....	1
5	88083	* SCREW (10-24 X 2-1/8 IN.TORX TRUSS HD. SEMS).....	2	33	PS05267	SPACER.....	1
6	660346002	BOLT (10-27 X 2-3/8 in. HEX HD.).....	2	34	PA01613	DRUM & CONNECTOR	1
7	985248001	HEAT DAM GASKET	1	35	986153001	ROTOR PAWL ASSEMBLY	1
8	985430001	HEAT DAM	1	36	308374001	STARTER PULLEY	1
9	81208	* LOCK NUT (10-24).....	2	37	985871001	PISTON ASSY. (INC. KEY NOS. 50-54).....	1
10	093221	* SCREW (10-24 X 1 in. TORX PAN HD. SEMS)	2	38	A98773A	SPRING & CONTAINER	1
11	984834001	CARBURETOR GASKET	1	39	6969901	CLIP	1
12	9071103	CARBURETOR GASKET	1	40	9789902	STARTER ROPE.....	1
13	984738001	SPACER.....	1	41	PS06114	STARTER GRIP	1
14	984753001	SCREEN.....	1	42	984837001	BAFFLE.....	1
15	985530002	AIR FILTER BOX	1	43	82543	* SCREW (8-16 X 1/2 in. THD. FORM.).....	3
16	985544001	COMPLETE STARTER ASSY. (INC. KEY NOS.36,38,40-43, AND 47)	1	44	82537	* SCREW (10-14 X 7/8 in. THD. FORM.).....	2
17	0143908	RUBBER TUBING (2 in.)	1	45	984829001	REAR HOUSING.....	1
18	6970001	CLIP	1	46	82538	SCREW (10-24 X 3/4 in. TRUSS HD.).....	4
19	985893001	CARBURETOR.....	1	47	PA01641	STARTER HOUSING W/EYELET	1
20	06443A	GASKET, C/C COVER.....	1	48	984759001	* SCREW (6-20 X 1/4 IN. TRI-LOBULAR)	3
21	308181003	FUEL TANK W/CAP ASSEMBLY	1	49	985596001	OUTLET TUBE	1
22	984747001	GASKET	1	50	985872001	PISTON W/PINS	1
23	98792	BUMPER.....	2	51	03179	PISTON RING 30cc	2
24	A06964	LEAD W/TERMINALS	1	52	65261	RETAINING RING.....	2
25	A06963	LEAD	1	53	00238A	PISTON PIN	1
26	82540	* SCREW (8-32 X 1 in. THREAD FORMING).....	2	54	PA00190	CONNECTING ROD ASSEMBLY	1
27	850080001	IGNITION MODULE (W/ 3 SEC. KILL)	1	55	900999002	TANK INSULATION GASKET	1
28	3078001	PRIMER ASSEMBLY	1	56	985767001	RUBBER BUMPER	1
				57	985524002	CYLINDER	1
				58	985259001	CYLINDER GASKET	1
				59	PS02807	* SCREW (12-24 X 5/8 in.).....	3

* STANDARD HARDWARE ITEM – MAY BE PURCHASED LOCALLY

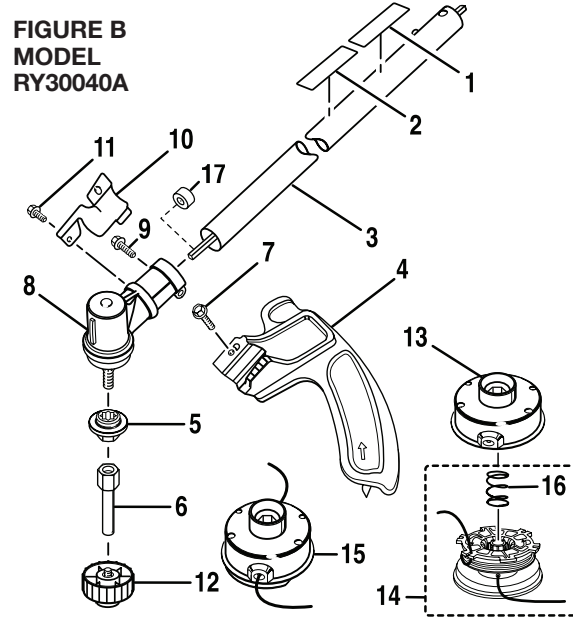
** STOCK ITEM – MAY BE SECURED THROUGH THE HARDWARE DEPARTMENT OF MOST HOME DEPOT STORES

RYOBI 30cc STRING TRIMMERS AND BRUSHCUTTERS MODEL NUMBERS – RY30020A, RY30040A, RY30060A

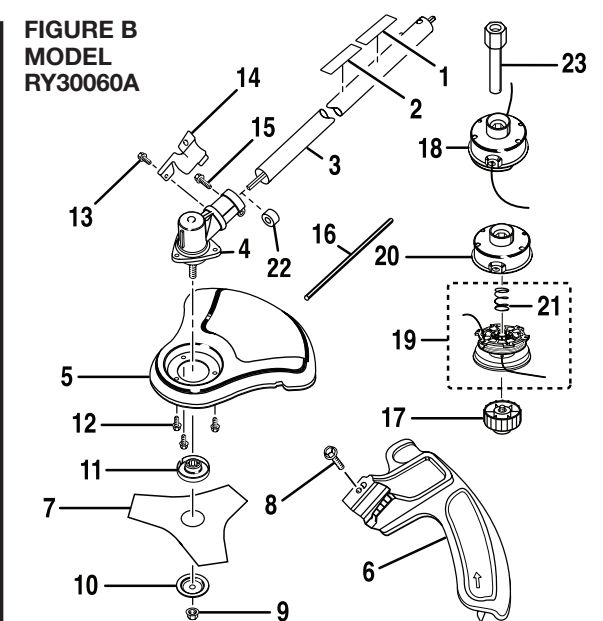
**FIGURE B
MODEL
RY30020A**



**FIGURE B
MODEL
RY30040A**



**FIGURE B
MODEL
RY30060A**



Key No.	Service Number	*Retailer Number	Description	Qty.
1	985165001	N/A	Expand-it Label	1
2	984032002	N/A	Warning Decal	1
3	985569003	N/A	Curved Shaft Assembly	1
4	985623002	N/A	Grass Deflector	1
5	PA00249	N/A	Fastener Kit	1
6	A98866A	AP04106	Spool Retainer (Black)	1
7	N/A	AP04114	Complete String Head (.080 in.)	1
8	N/A	AR04120	Spool and String (.080 in.) w/Spring (Inc. Key #10)	1
9	A98231A	N/A	Housing and Eyelet	1
10	06713	N/A	Spring	1

Key No.	Service Number	*Retailer Number	Description	Qty.
1	985165001	N/A	Expand-it Label	1
2	984032002	N/A	Warning Decal	1
3	985391001	N/A	Straight Shaft Assembly	1
4	984443004	N/A	Grass Deflector	1
5	984931001	N/A	Assembly	1
6	PS04438	N/A	Washer	1
7	983379078	N/A	Shaft Adapter	1
8	984244001	N/A	Screw (1/4-20 x 1-1/4 in.)	1
9	983381007	N/A	Gear Head	1
10	PS04420	N/A	Screw (1/4-20 x 1-1/4 in.)	1
11	983774003	N/A	Clamp	1
12	A97910A	AP04103	Screw (10-24 x 5/8 in.)	1
13	A98231A	N/A	Spool Retainer (Red)	1
14	N/A	AR04118	Housing and Eyelet	1
15	N/A	AP04116	Spool and String (.095 in.) w/Spring (Inc. Key #16)	1
16	06713	N/A	Complete String	1
17	985625001	N/A	Spring	1
			Spacer	1

Key No.	Service Number	*Retailer Number	Description	Qty.
1	985165001	N/A	Expand-it Label	1
2	984102002	N/A	Warning Decal	1
3	985390001	N/A	Brushcutter Safety Label	1
4	PA01364	N/A	Straight Shaft Assy.	1
5	PS03538	N/A	Gear Head	1
6	984443004	N/A	Brushcutter Guard	1
7	06297	AP04105	Grass Deflector Assy.	1
8	983379078	N/A	Tri-Arc® Blade	1
9	04277	N/A	Screw (1/4-20 x 1-1/4 in.)	1
10	04409	N/A	Lock Nut	1
11	04168A	N/A	Cupped Washer	1
12	88049	N/A	Flanged Washer	1
13	983774003	N/A	Screw (10-24 x 1/2 in.)	3
14	PS04420	N/A	Screw (10-24 x 5/8 in.)	1
15	983381007	N/A	Clamp	1
16	00063	N/A	Screw (1/4-20 x 1-1/4 in.)	1
17	A97910A	AP04103	Holding Pin	1
18	N/A	AP04116	Spool Retainer (Red)	1
19	N/A	AR04118	Complete String Head (.095 in.)	1
20	A98231A	N/A	Spool and String (.095 in.) w/Spring (Inc. Key #21)	1
21	06713	N/A	Housing and Eyelet	1
22	985625001	N/A	Spring	1
23	PS04438	N/A	Spacer	1
			Shaft Adapter	1

* Purchase locally from retailer where unit was purchased.