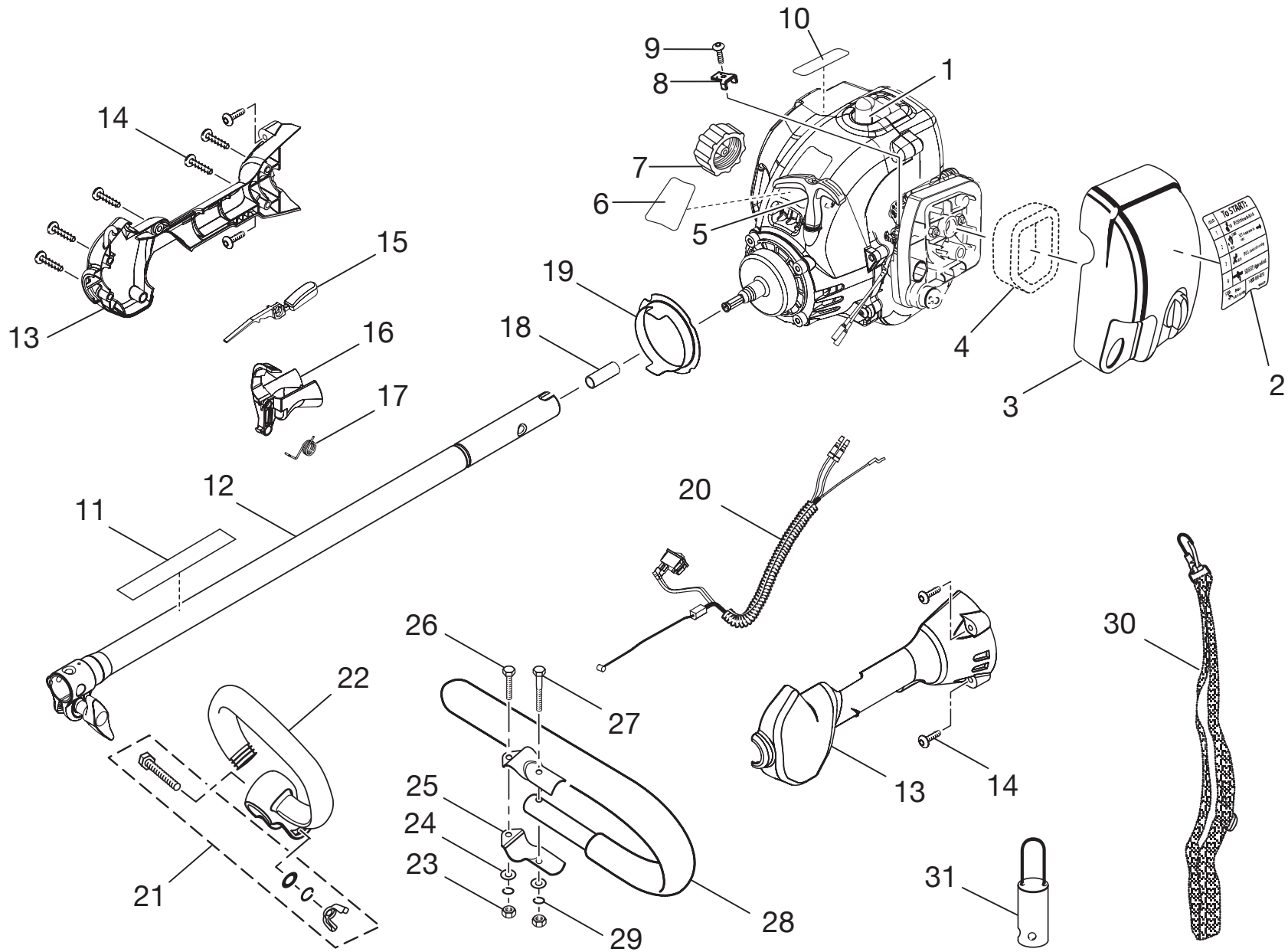


**RYOBI 30CC STRING TRIMMERS AND BRUSHCUTTERS MODEL NUMBERS
RY30020, RY30023, RY30040, RY30043, RY30060, RY30063**



**RYOBI 30CC STRING TRIMMERS AND BRUSHCUTTERS MODEL NUMBERS
RY30020, RY30023, RY30040, RY30043, RY30060, RY30063**

FIGURE A PARTS LIST

POWER HEAD INFORMATION:

Part Number 985414001 for models RY30020, RY30040, RY30060

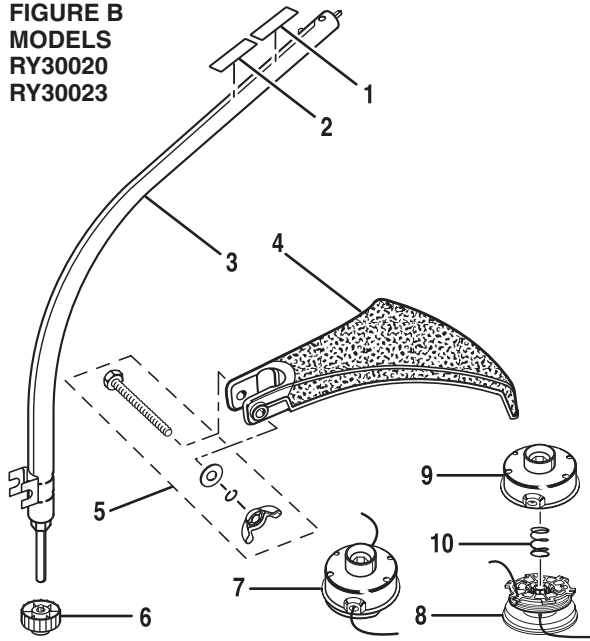
Part Number 985414002 for models RY30023, RY30043, RY30063

| KEY NO. | SERVICE NUMBER | DESCRIPTION | QTY. | KEY NO. | SERVICE NUMBER | DESCRIPTION | QTY. |
|---------|----------------|---|------|---------|----------------|--|------|
| 1 | PS02227 | Spark Plug | 1 | 16 | PS06259 | Trigger | 1 |
| | | (*Champion RCJ6Y or NGK BPMR7) | | 17 | PS01718 | Spring | 1 |
| 2 | 985426001 | Starting/Primer Label | 1 | 18 | PS00180 | Sleeve | 1 |
| 3 | 985417001 | Air Box Cover | 1 | 19 | 985251001 | Ring Guard | 1 |
| 4 | 5687301 | Air Filter | 1 | 20 | 985744001 | Throttle Cable Assembly | 1 |
| 5 | PS06114 | Starter Grip | 1 | 21 | PA00249 | Fastener Kit (CS30 and SS30) | 1 |
| 6 | 985162001 | Model Label (CS30) | 1 | 22 | 06542A | "D" Handle (CS30 and SS30) | 1 |
| | 985163001 | Model Label (SS30) | 1 | 23 | 81242 | Hex Nut (BC30) | 2 |
| | 985164001 | Model Label (BC30) | 1 | 24 | 84004 | Washer (BC30) | 2 |
| 7 | 985210001 | Fuel Cap | 1 | 25 | 00422 | Handle Bar Clamp (BC30) | 2 |
| 8 | 985411001 | Throttle Cable Clip | 1 | 26 | 82496 | Screw (BC30) | 1 |
| 9 | 983638009 | Screw | 1 | 27 | 82278 | Hex Head Bolt (BC30) | 1 |
| 10 | 985157001 | Logo Plate | 1 | 28 | A08130 | "J" Handle and Grip (BC30) | 1 |
| 11 | 984032002 | Warning Decal (CS30 and SS30) | 1 | 29 | 83009 | Lock Washer (BC30) | 2 |
| | 984102002 | Warning Decal (BC30) | 1 | 30 | 944701 | Shoulder Strap (BC30) | 1 |
| 12 | 985383001 | Boom Assembly (CS30 and SS30) | 1 | 31 | PS02155 | Hanger Cap | 1 |
| | 985384001 | Boom Assembly, Upper (BC30) | 1 | | N/A | 2-Cycle Oil (*AH99G01) 50:1 Synthetic Blend | |
| 13 | 985382001 | Handle Assembly | 1 | | 983000451 | Operator's Manual | |
| 14 | 82589 | Handle Screw | 9 | | 983000452 | Customer Sheet | |
| 15 | PS06258 | Trigger Lock | 1 | | 983000451R | Repair Sheet (REV:00) | |

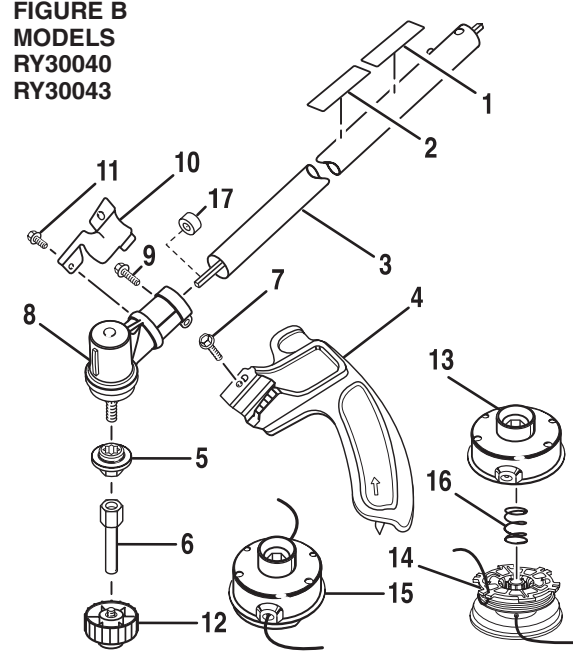
* Purchase locally from retailer where unit was purchased.

RYOBI 30CC STRING TRIMMERS AND BRUSHCUTTERS MODEL NUMBERS – RY30020, RY30023, RY30040, RY30043, RY30060, RY30063

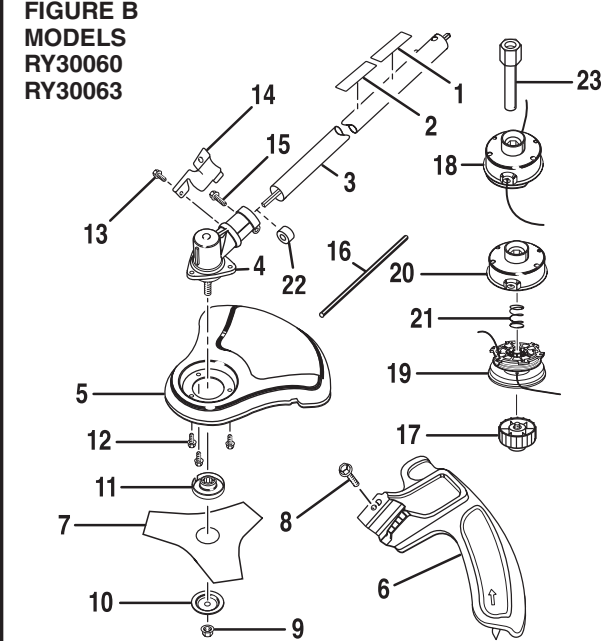
**FIGURE B
MODELS
RY30020
RY30023**



**FIGURE B
MODELS
RY30040
RY30043**



**FIGURE B
MODELS
RY30060
RY30063**



| Key No. | Service Number | *Retailer Number | Description | Qty. |
|---------|----------------|------------------|--------------------------------------|------|
| 1 | 985165001 | N/A | Expand-it Label | 1 |
| 2 | 984032002 | N/A | Warning Decal | 1 |
| 3 | 985569003 | N/A | Curved Shaft | 1 |
| 4 | 985623002 | N/A | Grass Deflector Assembly | 1 |
| 5 | PA00249 | N/A | Fastener Kit | 1 |
| 6 | N/A | AP04106 | Spool Retainer (Black) | 1 |
| 7 | N/A | AP04114 | Complete String Head (.080 in.) | 1 |
| 8 | AH04112 | N/A | Spool and String (.080 in.) w/Spring | 1 |
| 9 | A98231A | N/A | Housing and Eyelet | 1 |
| 10 | 06713 | N/A | Spring | 1 |

| Key No. | Service Number | *Retailer Number | Description | Qty. |
|---------|----------------|------------------|--------------------------------------|------|
| 1 | 985165001 | N/A | Expand-it Label | 1 |
| 2 | 984032002 | N/A | Warning Decal | 1 |
| 3 | 983775003 | N/A | Straight Shaft | 1 |
| 4 | 984443004 | N/A | Grass Deflector Assembly | 1 |
| 5 | 984931001 | N/A | Washer | 1 |
| 6 | PS04438 | N/A | Shaft Adapter | 1 |
| 7 | 983379078 | N/A | Screw (1/4-20 x 1-1/4 in.) | 1 |
| 8 | 984244001 | N/A | Gear Head | 1 |
| 9 | 983381007 | N/A | Screw (1/4-20 x 1-1/4 in.) | 1 |
| 10 | PS04420 | N/A | Clamp | 1 |
| 11 | 983774003 | N/A | Screw (10-24 x 5/8 in.) | 1 |
| 12 | AP04103 | N/A | Spool Retainer (Red) | 1 |
| 13 | A98231A | N/A | Housing and Eyelet Head (.095 in.) | 1 |
| 14 | N/A | AH04113 | Spool and String (.095 in.) w/Spring | 1 |
| 15 | N/A | AP04116 | Complete String | 1 |
| 16 | 06713 | N/A | Spring | 1 |
| 17 | 985625001 | N/A | Spacer | 1 |

| Key No. | Service Number | *Retailer Number | Description | Qty. |
|---------|----------------|------------------|--------------------------------------|------|
| 1 | 985165001 | N/A | Expand-it Label | 1 |
| 2 | 984102002 | N/A | Brushcutter Safety Label | 1 |
| 3 | 983777003 | N/A | Straight Shaft Assy. | 1 |
| 4 | PA01364 | N/A | Gear Head | 1 |
| 5 | PS03538 | N/A | Brushcutter Guard | 1 |
| 6 | 984443004 | N/A | Grass Deflector Assy. | 1 |
| 7 | 06297 | AP04105 | Tri-Arc® Blade | 1 |
| 8 | 983379078 | N/A | Screw (1/4-2- x 1-1/4 in.) | 1 |
| 9 | 04277 | N/A | Lock Nut | 1 |
| 10 | 04409 | N/A | Cupped Washer | 1 |
| 11 | 04168A | N/A | Flanged Washer | 1 |
| 12 | 88049 | N/A | Screw (10-24 x 1/2 in.) | 3 |
| 13 | 983774003 | N/A | Screw (10-24 x 5/8 in.) | 1 |
| 14 | PS04420 | N/A | Clamp | 1 |
| 15 | 983381007 | N/A | Screw (1/4-20 x 1-1/4 in.) | 1 |
| 16 | 00063 | N/A | Holding Pin | 1 |
| 17 | AP04103 | N/A | Spool Retainer (Red) | 1 |
| 18 | N/A | AP04116 | Complete String Head (.095 in.) | 1 |
| 19 | N/A | AH04113 | Spool and String (.095 in.) w/Spring | 1 |
| 20 | A98231A | N/A | Housing and Eyelet | 1 |
| 21 | 06713 | N/A | Spring | 1 |
| 22 | 985625001 | N/A | Spacer | 1 |
| 23 | PS04438 | N/A | Shaft Adapter | 1 |

* Purchase locally from retailer where unit was purchased.