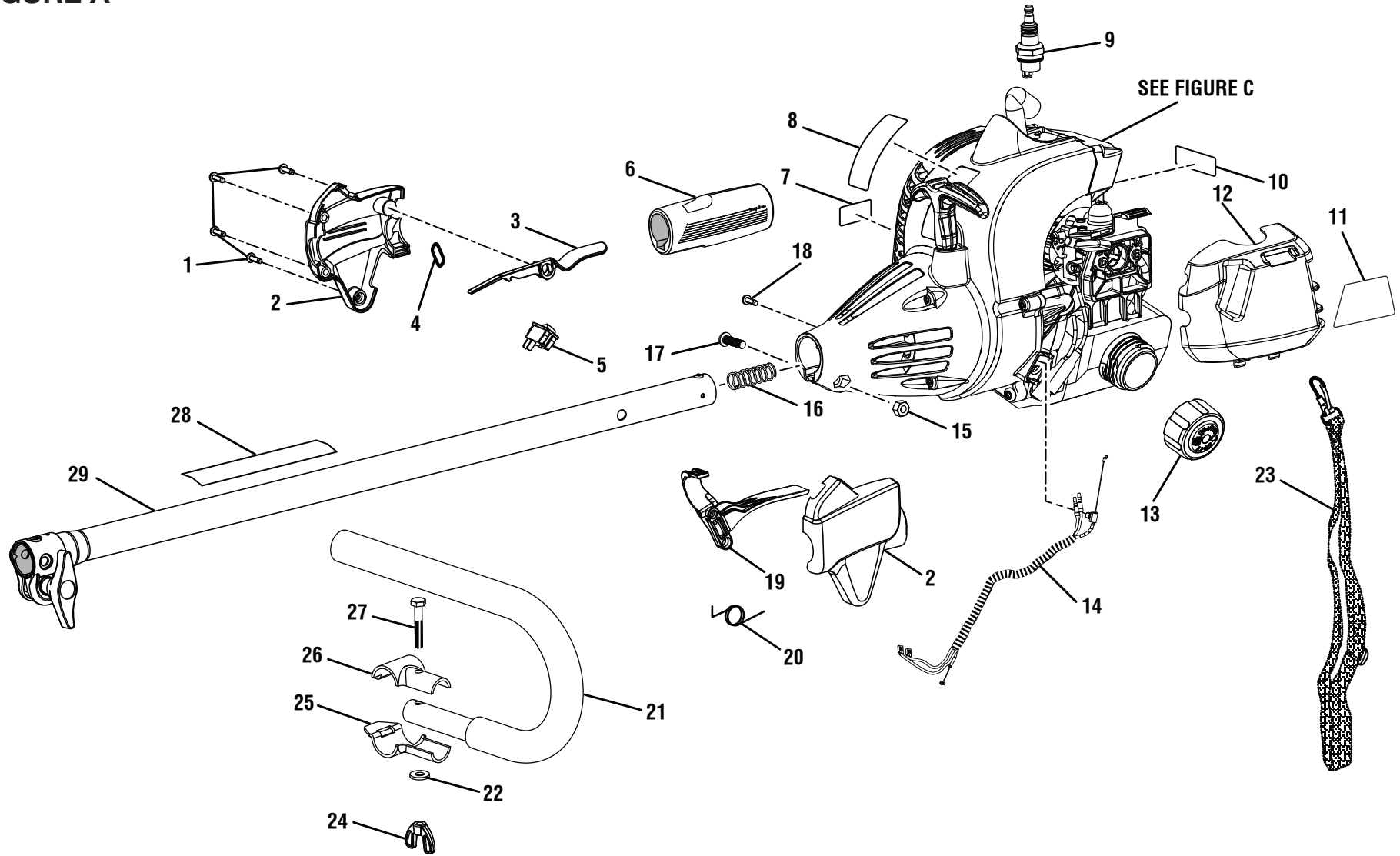


FIGURE A

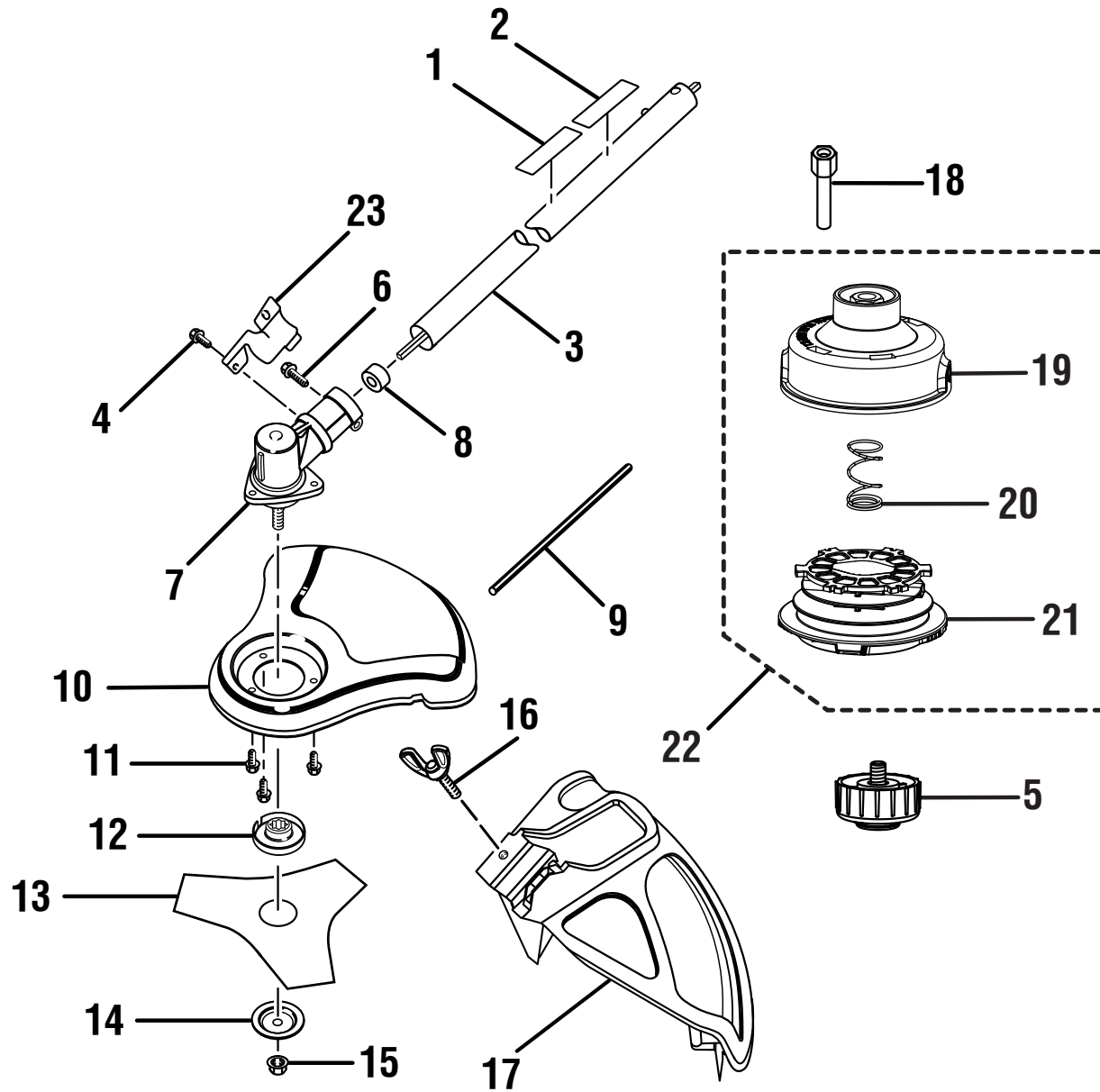


PARTS LIST (FIGURE A)

KEY NO.	PART NUMBER	DESCRIPTION	QTY	KEY NO.	PART NUMBER	DESCRIPTION	QTY
1	660563002	Screw (M4 x 20 mm)	4	18	660634001	Screw (8-16 x 5/16 in., Torx T.F.)	1
2	308869002	Control Handle Assembly	1	19	518696001	Throttle Trigger	1
3	518695001	Trigger Lock	1	20	690694002	Spring	1
4	638431001	Strap Hanger	1	21	308046005	“J” Handle and Grip	1
5	760700002	Switch (Momentary Contact)	1	22	678013001	Washer	1
6	570234002	Rear Handle	1	23	308487001	Shoulder Harness.....	1
7	940654088	Combustion Warning Label.....	1	24	518949001	Wing Nut (1/4-20).....	1
8	940705011	Logo Label	1	25	638565001	Bottom “J” Handle Clamp.....	1
9	870174001	* Spark Plug (Champion RCJ6Y).....	1	26	638564001	Top “J” Handle Clamp.....	1
10	940991031	Model Label (BC26).....	1	27	660643001	Bolt (1/4-20 x 1-1/2 in., Hex Hd.).....	1
11	940686059	Starting Label	1	28	940657034	Warning Decal	1
12	518777009	Air Box Cover	1	29	308470013	Upper Boom Assembly	1
13	310817004	Fuel Cap Assembly (1.5 in. Diameter).....	1	Not Shown:			
14	308842004	Throttle and Lead Assembly	1	988000790	Operator’s Manual.....	1	
15	678029002	Hex Nut (M6)	1	4-3-12 (REV:03)			
16	690140011	Compression Spring	1				
17	660697002	Bolt (M6 x 20 mm).....	1				

* STANDARD HARDWARE ITEM – MAY BE PURCHASED LOCALLY

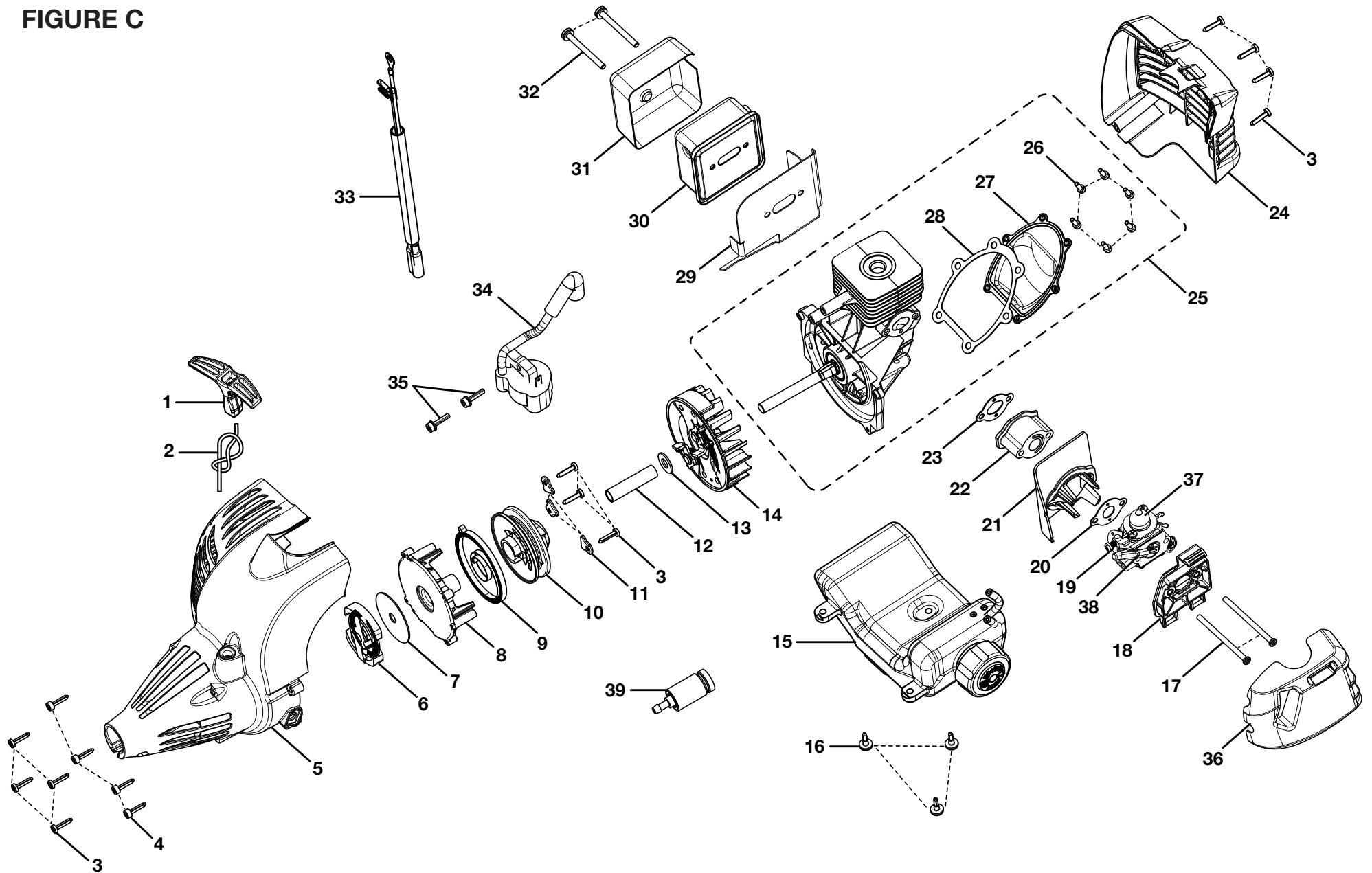
FIGURE B



PARTS LIST (FIGURE B)

KEY NO.	PART NUMBER	DESCRIPTION	QTY	KEY NO.	PART NUMBER	DESCRIPTION	QTY
1	940726013	Expand-it Label	1	13	638006004	Blade	1
2	940627027	Brushcutter Safety Label.....	1	14	638017001	Cupped Washer	1
3	308035011	Straight Shaft Assembly.....	1	15	678018001	Blade Nut	1
4	660641001	Screw (10-24 x 5/8 in.).....	1	16	660886001	Screw (1/4-20 x 1-1/4 in.).....	1
5	308042003	Spool Retainer.....	1	17	308473001	Grass Deflector Assembly (Inc. Key No. 16)	1
6	660642001	Screw (1/4-20 x 1-1/4 in.).....	1	18	678019001	Arbor.....	1
7	308210001	Gear Head	1	19	310643001	String Head Housing	1
8	518367001	Spacer	1	20	678022001	Spring	1
9	678020001	Gear Head Locking Tool.....	1	21	310412001	Spool	1
10	638120001	Brushcutter Guard.....	1	22	309562002	String Head Assembly (Inc. Key Nos. 19-21).....	1
11	660737001	Screw (10-24 x 1/2 in.)	3	23	638125001	Clamp	1
12	678011001	Flanged Washer	1				

FIGURE C



PARTS LIST (FIGURE C)

KEY NO.	PART NUMBER	DESCRIPTION	QTY	KEY NO.	PART NUMBER	DESCRIPTION	QTY
1	511731001	Starter Grip.....	1	21	518685001	Air Baffle.....	1
2	900849012	Starter Rope (42 in.)	1	22	518497001	Heat Dam	1
3	660466001	Screw (M4 x 18 mm)	11	23	901551001	Inner Heat Dam Gasket.....	1
4	660970001	Screw (M4 x 16 mm)	4	24	518504002	Rear Housing	1
5	308671027	Starter Housing Assembly	1	25	308892014	Short Block Assembly (Inc. Key Nos. 26-28).....	1
6	300960002	Clutch Assembly	1	26	660925003	Screw (M4 x 12 mm)	6
7	638090001	Washer	1	27	638337005	Crankcase Cover.....	1
8	518692001	Starter Baffle	1	28	901550001	Crankcase Cover Gasket	1
9	638033001	Spring and Container	1	29	901452001	Muffler Gasket.....	1
10	310022003	Easy Starter Assembly	1	30	308990011	Muffler Assembly.....	1
11	638389001	Pulley Retainer	3	31	638442001	Muffler Housing.....	1
12	638284002	Spacer Tube	1	32	660638003	Muffler Bolt (10-24 x 2-1/8 in.)	2
13	650017001	Washer	1	33	308863024	Electrical Lead Wire Assembly.....	1
14	308811004	Flywheel Assembly.....	1	34	850108008	Ignition Module	1
15	308675035	Fuel Tank and Cap Assembly (Inc. Key No. 39)	1	35	660968001	Screw (M4 x 19 mm)	2
16	660970002	Screw (M4)	3	36	518777009	Air Box Cover	1
17	660454007	Bolt (M5 x 70 mm).....	2	37	561635001	Primer Bulb (Ruixing)	1
18	518766001	Air Box Base	1	38	518824001	Choke Lever (Ruixing)	1
19	308054043	Carburetor Assembly	1	39	310976001	Fuel Filter.....	1
20	901552001	Outer Heat Dam Gasket.....	1				