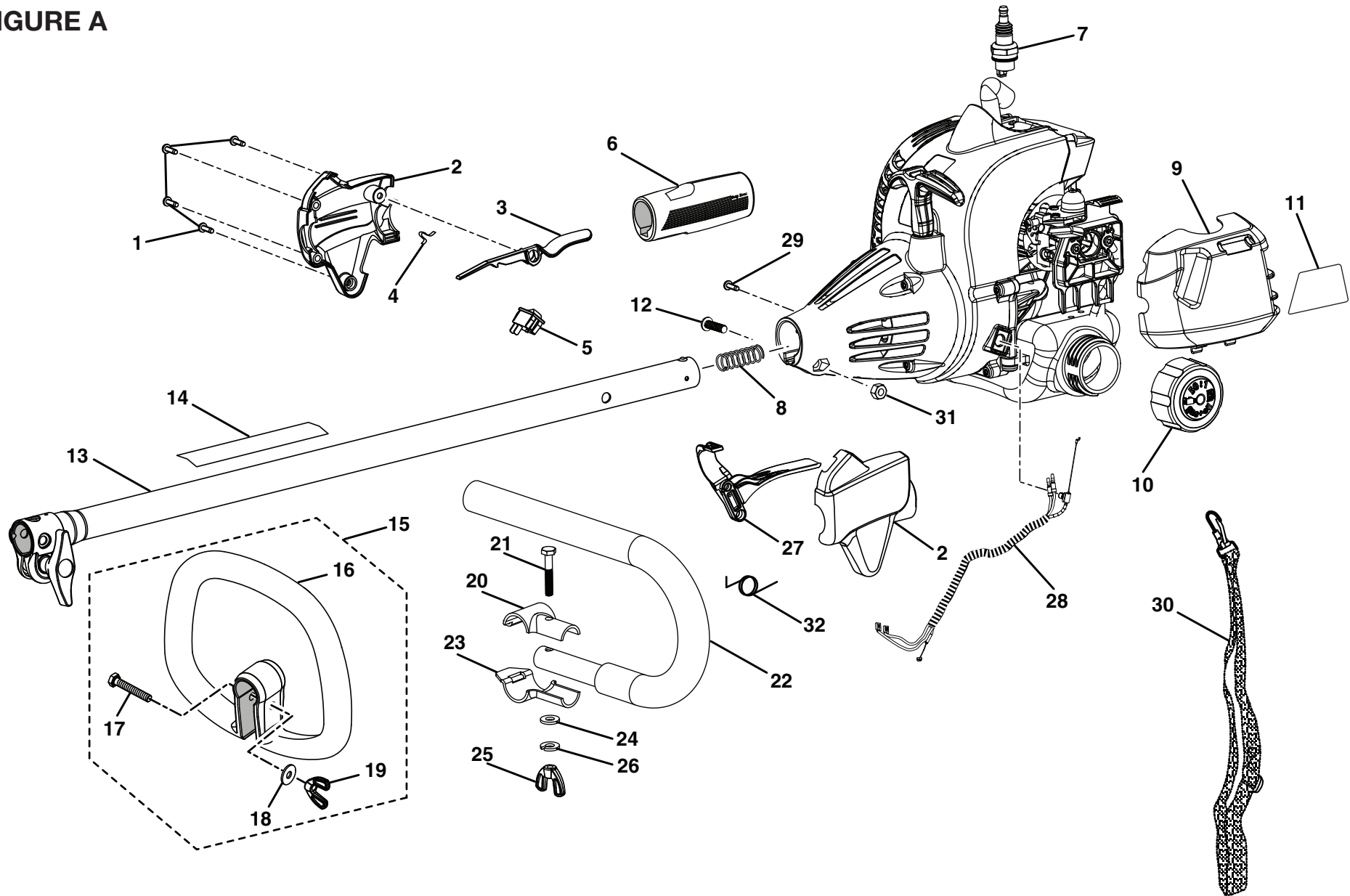


RYOBI 26cc STRING TRIMMERS AND BRUSHCUTTERS
MODEL NUMBERS - RY26500, RY26520, RY26540, RY26901, RY26921, RY26941

FIGURE A



RYOBI 26cc STRING TRIMMERS AND BRUSHCUTTERS
MODEL NUMBERS – RY26500, RY26520, RY26540, RY26901, RY26921, RY26941

PARTS LIST (FIGURE A)

KEY NO.	PART NUMBER	DESCRIPTION	QTY	KEY NO.	PART NUMBER	DESCRIPTION	QTY
1	660563002	Screw (M4 x 20 mm)	4	21	660643001	Bolt (1/4-20 x 1-1/2 in. Hex Hd.) (BC26)	1
2	308869002	Control Handle Assembly	1	22	308046001	“J” Handle and Grip (BC26)	1
3	518695001	Trigger Lock	1	23	638565001	Bottom “J” Handle Clamp (BC26).....	1
4	638431001	Strap Hanger.....	1	24	678013001	Washer (BC26)	1
5	760700002	Switch (Momentary Contact).....	1	25	518949001	Wing Nut (1/4-20) (BC26).....	1
6	570234002	Rear Handle	1	26	678012001	Lock Washer (BC26)	1
7	870174001	Spark Plug (Champion RCJ6Y).....	1	27	518696001	Throttle Trigger	1
8	690140011	Compression Spring	1	28	308842004	Throttle and Lead Assembly (Incl. Key No. 5).....	1
9	518777001	Air Box Cover	1	29	660634001	Screw (8-16 x 5/16 in. Torx T.F.)	1
10	308680001	Fuel Cap Assembly (1.5 in. Diameter).....	1	30	308487001	Shoulder Harness (BC26).....	1
	300758006	Fuel Cap Assembly (2 in. Diameter).....	1	31	678029002	Hex Nut (M6)	1
11	940686026	Label.....	1	32	690694002	Spring.....	1
12	660697002	Bolt (M6 x 20 mm).....	1				
13	308470004	Upper Boom Assembly	1		Not Shown:		
14	940657034	Warning Decal	1		940705011	Logo Label	1
15	308991001	Front Handle Assembly (CS26 and SS26).....	1		940991028	Model Label (CS26).....	1
16	518738001	Front Handle.....	1		940991030	Model Label (SS26).....	1
17	660643008	Bolt (1/4-20 x 40 mm)	1		940991031	Model Label (BC26).....	1
18	678008001	Washer	1		987000426	Operator’s Manual (960736001).....	1
19	518949001	Wing Nut	1		3-19-09		
20	638564001	Top “J” Handle Clamp (BC26).....	1		(REV:02)		

RYOBI 26cc STRING TRIMMERS AND BRUSHCUTTERS
MODEL NUMBERS – RY26500, RY26520, RY26540, RY26901, RY26921, RY26941

PARTS LIST (FIGURE B)

KEY NO.	PART NUMBER	DESCRIPTION	QTY	KEY NO.	PART NUMBER	DESCRIPTION	QTY
1	511731001	Starter Grip.....	1	19	308054013	Carburetor Assembly	1
2	900849002	Starter Rope.....	1	20	901552001	Outer Heat Dam Gasket.....	1
3	660466001	Screw (M4 x 18 mm)	11	21	518685001	Air Baffle.....	1
4	660970001	Screw (M4 x 16 mm)	4	22	518497001	Heat Dam	1
5	308671009	Starter Housing Assembly	1	23	901551001	Inner Heat Dam Gasket.....	1
6	300960002	Clutch Assembly	1	24	518504002	Rear Housing	1
7	638090001	Washer	1	25	308892003	Short Block Assembly.....	1
8	518692001	Starter Baffle	1	26	660925003	Screw (M4 x 12 mm)	6
9	638033001	Spring and Container	1	27	638337001	Crankcase Cover.....	1
10	310022001	Easy Starter Assembly	1	28	901550001	Crankcase Cover Gasket	1
11	638389001	Pulley Retainer	3	29	901452001	Muffler Gasket.....	1
12	638284002	Spacer Tube	1	30	308990011	Muffler Assembly	1
13	650017001	Washer	1	31	638442001	Muffler Housing.....	1
14	308811001	Flywheel Assembly.....	1	32	660638003	Muffler Bolt (10-24 x 2-1/8 in.)	2
15	308675021	Fuel Tank and Cap Assembly.....	1	33	308863003	Electrical Lead Wire Assembly.....	1
16	660970002	Screw (M4)	3	34	850108002	Ignition Module	1
17	660454001	Bolt (M5 x 70 mm).....	2	35	660968001	Screw (M4 x 19 mm)	2
18	518766001	Air Box Base	1				

RYOBI 26cc STRING TRIMMERS AND BRUSHCUTTERS
MODEL NUMBERS – RY26500, RY26520, RY26540, RY26901, RY26921, RY26941

FIGURE C
MODEL
RY26500
RY26901

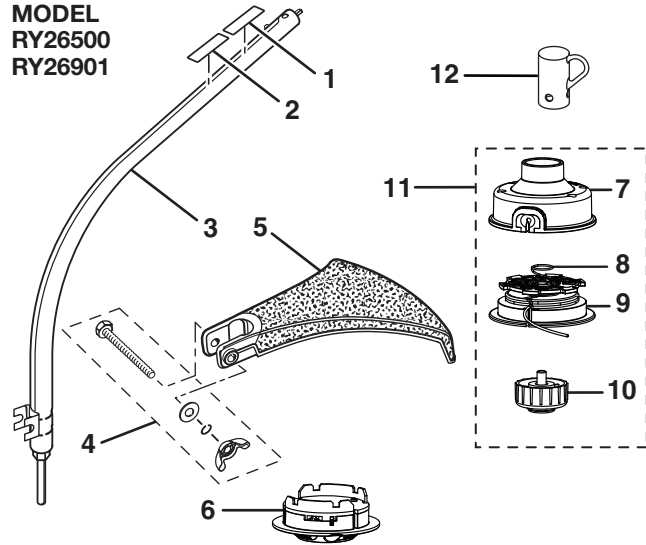


FIGURE C
MODEL
RY26520
RY26921

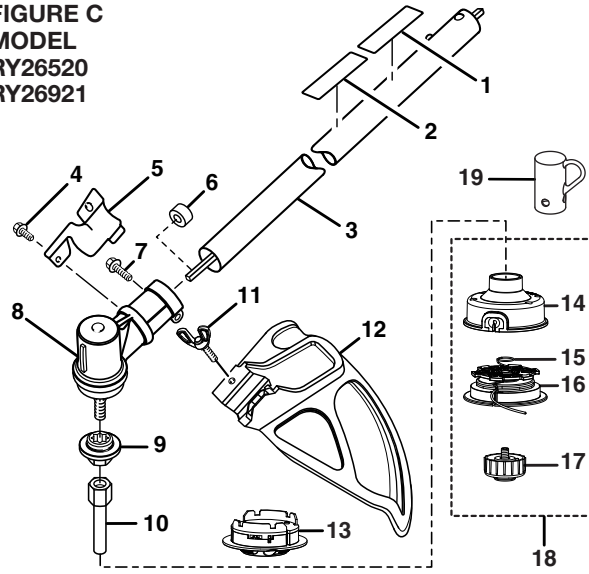
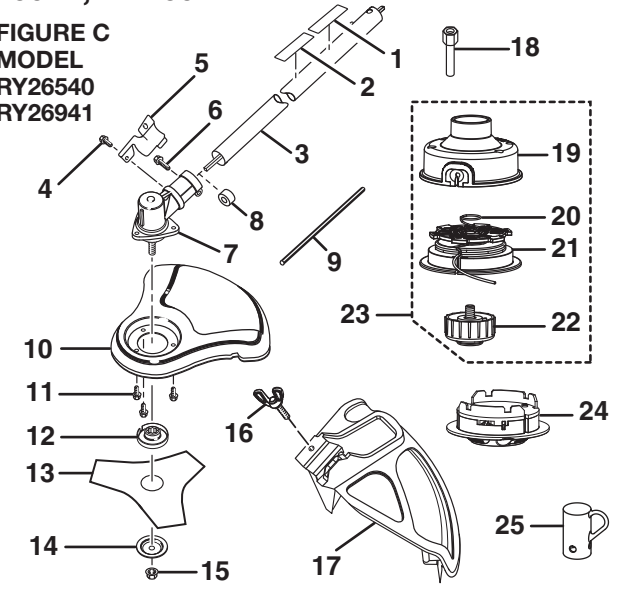


FIGURE C
MODEL
RY26540
RY26941



Key No.	Service Number	Description	Qty.
1	940726013	Expand-it Label	1
2	940230132	Warning Decal	1
3	308038010	Curved Shaft Assembly	1
4	120642001	Fastener Kit	1
5	308052001	Grass Deflector.....	1
6	310734001	Dual Spool™ Fixed Line String Head Insert.....	1
7	308746002	Bump Feed String Head.....	1
8	678022001	Spring.....	1
9	308044008	Bump Feed Spool.....	1
10	308042002	Spool Retainer.....	1
11	120950053	Bump Feed String Head Assembly (Incl. Key Nos. 7-10).....	1
12	518019002	Hanger Cap	1

Key No.	Service Number	Description	Qty.
1	940726013	Expand-it Label.....	1
2	940230132	Warning Decal.....	1
3	308035011	Straight Shaft Assembly	1
4	660736001	Screw (10-24 x 5/8 in.).....	1
5	638125001	Clamp.....	1
6	518367001	Spacer.....	1
7	660642001	Screw (1/4-20 x 1-1/4 in.)	1
8	308210002	Gear Head	1
9	678011002	Flanged Washer	1
10	678019002	Arbor	1
11	660886001	Wing Screw (1/4-20 x 1-1/4 in.)	1
12	308473001	Grass Deflector Assembly (Incl. Key No. 11).....	1
13	310734001	Dual Spool™ Fixed Line String Head Insert	1
14	308746002	Bump Feed String Head	1
15	678022001	Spring.....	1
16	308044008	Bump Feed Spool.....	1
17	308042003	Spool Retainer	1
18	000998361	Bump Feed String Head Assembly (Incl. Key Nos. 14-17).....	1
19	518019002	Hanger Cap.....	1

Key No.	Service Number	Description	Qty.
1	940726013	Expand-it Label.....	1
2	940627027	Brushcutter Safety Label	1
3	308035011	Straight Shaft Assembly.....	1
4	660736001	Screw (10-24 x 5/8 in.).....	1
5	638125001	Clamp.....	1
6	660642001	Screw (1/4-20 x 1-1/4 in.)	1
7	308210001	Gear Head.....	1
8	518367001	Spacer.....	1
9	678020001	Gear Head Locking Tool	1
10	638120001	Brushcutter Guard	1
11	660737001	Screw (10-24 x 1/2 in.).....	3
12	678011001	Flanged Washer	1
13	638006004	Blade.....	1
14	638017001	Cupped Washer	1
15	678018001	Blade Nut	1
16	660886001	Screw (1/4-20 x 1-1/4 in.)	1
17	308473001	Grass Deflector Assembly (Incl. Key No. 16).....	1
18	678019001	Arbor	1
19	308746002	Bump Feed String Head	1
20	678022001	Spring.....	1
21	308044008	Bump Feed Spool	1
22	308042003	Spool Retainer	1
23	000998361	Bump Feed String Head Assembly (Incl. Key Nos. 19-22).....	1
24	310734001	Dual Spool™ Fixed Line String Head Insert.....	1
25	518019002	Hanger Cap.....	1