

**RYOBI
JET FAN BLOWER
MODEL NO. RY25AXB
MFG. No. 090159001
REPAIR SHEET**

TECHTRONIC INDUSTRIES POWER EQUIPMENT

P.O. Box 1288

Anderson, SC 29622 USA

1-800-860-4050

RYOBI JET FAN BLOWER – MODEL RY25AXB

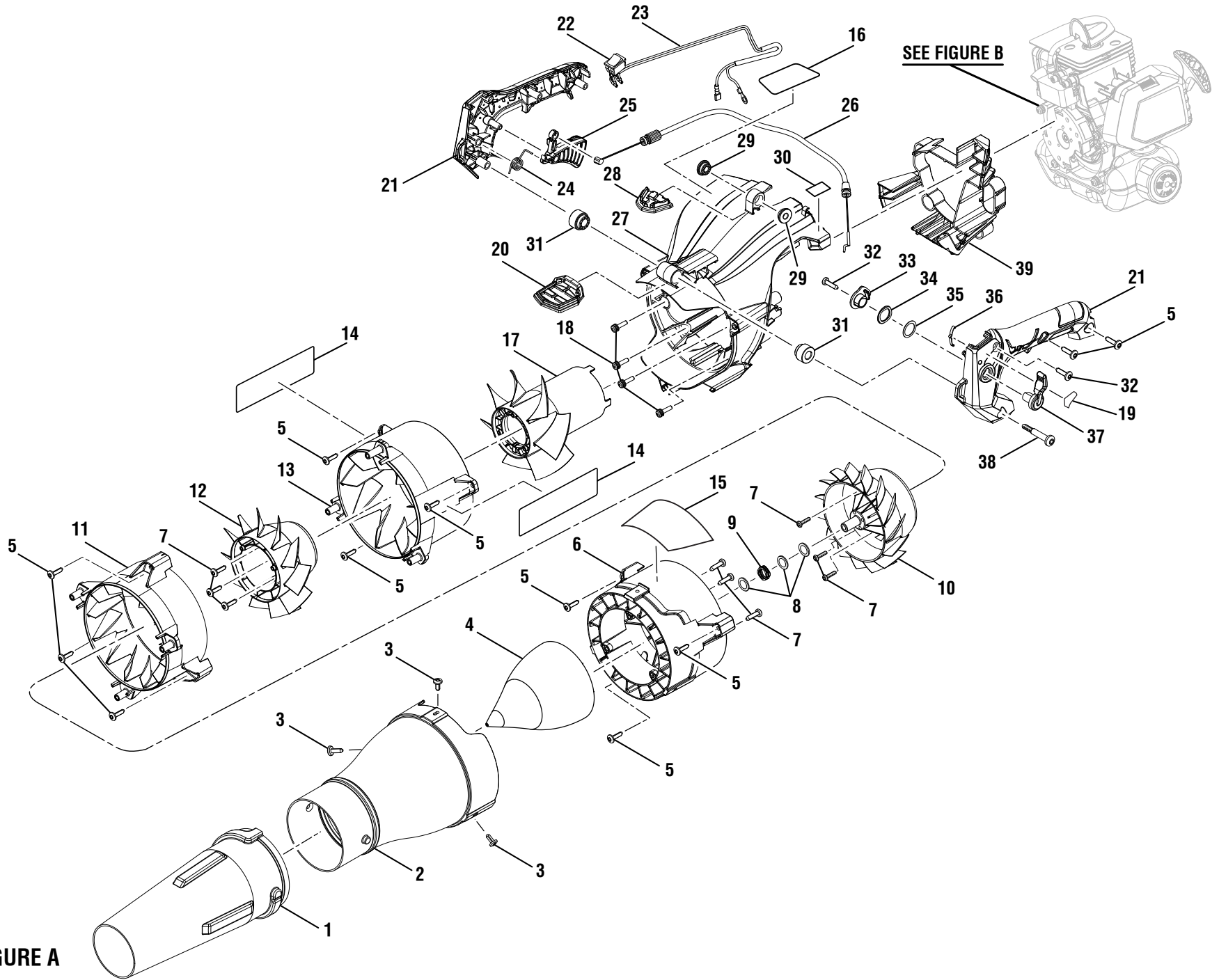


FIGURE A

RYOBI JET FAN BLOWER – MODEL RY25AXB

The model number will be found on a label attached to the housing. Always mention the model number in all correspondence regarding your **BLOWER** or when ordering replacement parts.

PARTS LIST (FIGURE A)

KEY NO.	PART NUMBER	DESCRIPTION	QTY	KEY NO.	PART NUMBER	DESCRIPTION	QTY
1	580262001	Blower End Nozzle.....	1	21	312344001	Handle Assembly (Inc. Key Nos. 19 and 32-37)	1
2	529733001	Reducer Nozzle.....	1	22	760961002	Stop Switch	1
3	660621001	Screw (10-14 x 13 mm, T25 Torx Truss Hd. T.F.)	3	23	291388003	Wiring Harness	1
4	529734001	Reducer Cone.....	1	24	690694002	Throttle Spring	1
5	660629005	Screw (10-14 x 19 mm., T25 Torx Truss Hd. T.F.)	11	25	531197002	Throttle Trigger.....	1
6	529729001	Axial Stator (Stage 3)	1	26	307318002	Throttle Cable	1
7	660563001	Screw (M4 x 1.41 mm x 18 mm, T20 Torx Pan Hd. T.F.)	9	27	312345001	Intake Housing (Inc. Key Nos. 16 and 30)	1
8	637311001	Washer (OD18 x ID12.15 x 1.5t)	3	28	564079001	Isolator Pad (Rear Handle).....	1
9	637049002	Wave Spring.....	1	29	529778002	Bushing (Rear Isolator).....	2
10	529732001	Axial Fan (Stage 3).....	1	30	941788001	Primer Bulb Icon Label	1
11	529728001	Axial Stator (Stage 2)	1	31	529778001	Bushing (Front Isolator).....	2
12	529731001	Axial Fan (Stage 2).....	1	32	660629002	Screw (10-14 x 18 mm, T25 Torx Pan Hd. T.F.).....	2
13	529727001	Axial Stator (Stage 1)	1	33	531196001	Throttle Actuator (Cruise Control).....	1
14	940705365	Jet Fan Label	2	34	632423001	Wave Washer	1
15	940705352	Logo Label (Full Crank, 2 cycle)	1	35	631049004	Washer (22.5OD x 16ID x 0.5t)	1
16	940657226	Warning Icon Label.....	1	36	632472004	Detent Spring.....	1
17	529730001	Axial Fan (Stage 1).....	1	37	527985002	Cruise Control Lever.....	1
18	660344001	Screw w/Washers (M5 x 20 mm, T20 Torx Pan Hd.)	4	38	660466003	Shoulder Screw (M5 x 40 mm, T25 Torx Truss Hd. T.F.).....	1
19	940647138	Cruise Lever Position Label	1	39	531368001	Intake Guard	1
20	564078001	Isolator Pad (Front Handle).....	1				
					Not Shown		
					991000913	Operator's Manual (961175015)	
					8-21-18		
					(Rev:04)		

RYOBI JET FAN BLOWER – MODEL RY25AXB

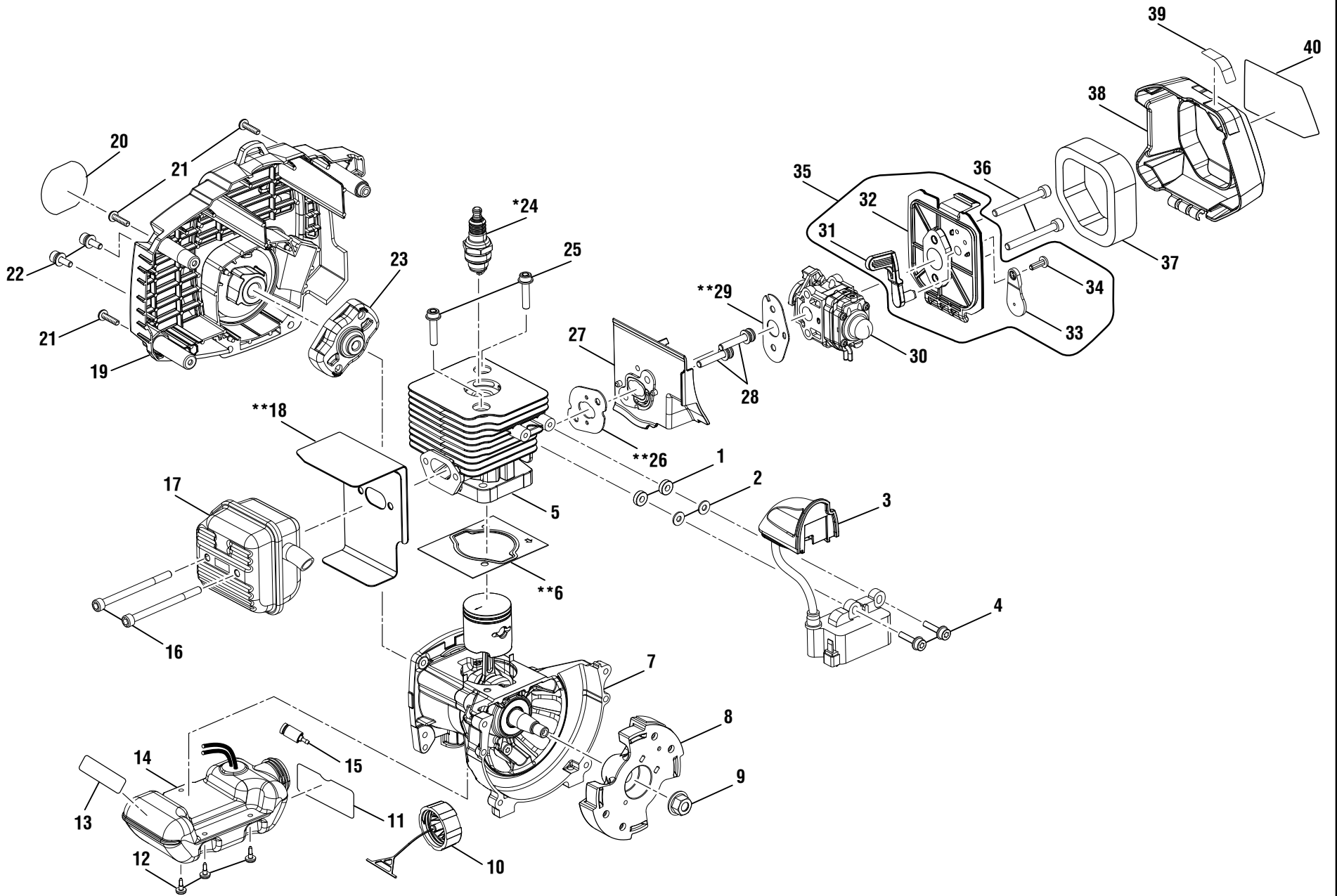


FIGURE B

RYOBI JET FAN BLOWER – MODEL RY25AXB

The model number will be found on a label attached to the housing. Always mention the model number in all correspondence regarding your **BLOWER** or when ordering replacement parts.

PARTS LIST (FIGURE B)

KEY NO.	PART NUMBER	DESCRIPTION	QTY	KEY NO.	PART NUMBER	DESCRIPTION	QTY
1	590462001	Spacer.....	2	22	660351001	Cap Screw w/Washer (M5 x 16 mm, T25 Torx Soc. Hd.).....	2
2	690969001	Washer (ID4.2 x OD10 x 1t)	2	23	308004003	Starter Cup	1
3	290178032	Ignition Module	1	24	870174002	* Spark Plug (L7RTC)	1
4	660968001	Screw (M4 x 19 mm, T20 Torx Pan Hd. S.T.).....	2	25	660342001	Screw (M5 x 22 mm, T25 Torx Soc. Hd.).....	2
5	642368001	Cylinder.....	1	26	903279002	**Gasket (Heat Dam).....	1
6	900709007	**Gasket.....	1	27	528275002	Heat Dam.....	1
7	307192004	Crankcase and Crankshaft Assembly.....	1	28	T662210002	Screw w/Washers (M5 x 30 mm, T25 Torx Pan Hd.)	2
8	307201004	Rotor	1	29	900711015	**Gasket (Carburetor)	1
9	690689001	Flange Nut (M8, Flywheel)	1	30	308054121	Carburetor Assembly	1
10	310816015	Fuel Cap Assembly.....	1	31	591442002	Choke Lever.....	1
11	940864004	Fuel Mixture Label	1	32	527989001	Air Box Base	1
12	660970002	Shoulder Screw (M4 x 14 mm, T25 Torx Truss Hd. S.T.).....	3	33	590946001	Choke Plate	1
13	940654088	Combustion Warning Label	1	34	660345001	Screw (M4 x 12 mm, T20 Torx Pan Hd.)	1
14	312346001	Fuel Tank w/Cap Assembly (Inc. Key Nos. 10-11, 13 and 15)	1	35	308478013	Airbox Assembly (Inc. Key Nos. 31-34)	1
15	310976001	Fuel Filter	1	36	660347003	Cap Screw (M5 x 45, T25 Torx Soc. Hd.).....	2
16	662169001	Cap Screw (M5 x 65 mm, T25 Torx Soc. Hd.)	2	37	560873001	Air Filter.....	1
17	300748049	Muffler Assembly	1	38	312348001	Air Box Cover (Inc. Key Nos. 39-40).....	1
18	639243004	**Muffler Gasket	1	39	940647111	Choke Label.....	1
19	312347001	Rear Housing and Starter Assembly (Inc. Key No. 20).	1	40	940851181	Starting Instructions Label.....	1
20	940627042	Logo Label (Rear).....	1		Not Shown		
21	660563001	Screw (M4 x 18 mm, T20 Torx Pan Hd. S.T.).....	3		120900244	High Altitude Kit	

* Standard Hardware Item – May Be Purchased Locally

** Non-Reuseable Parts = Keys 6, 18, 26 and 29