

**RYOBI**  
**25cc String Trimmers**  
**Manufacturing Numbers**  
**090333041, 090333042 and 090333043**  
**Item Numbers**  
**RY251PH, RY252CS and RY253SS**  
**Repair Sheet**

**TECHTRONIC INDUSTRIES POWER EQUIPMENT**

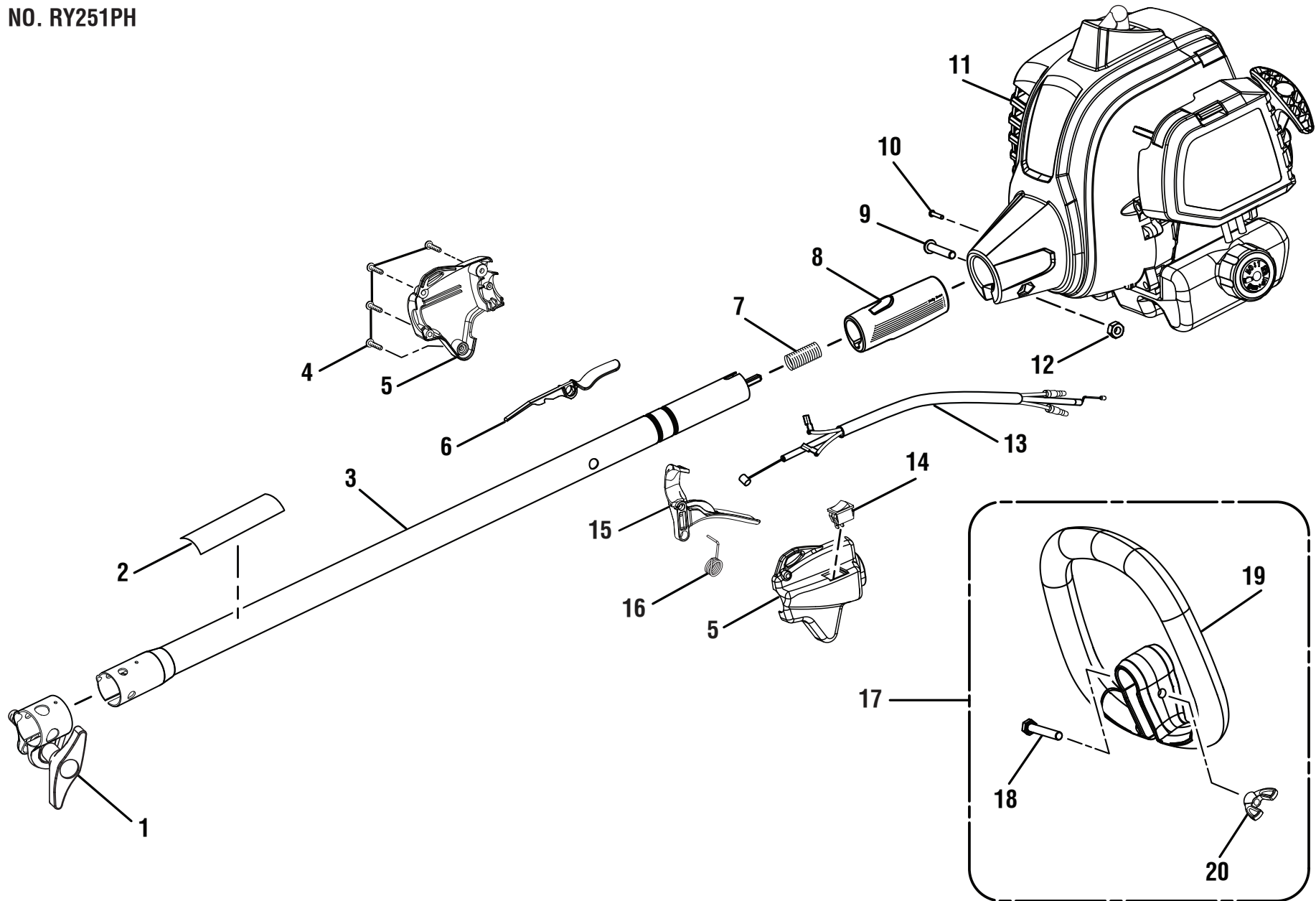
P.O. Box 1288, Anderson, SC 29622

Phone 1-800-860-4050

[www.ryobitools.com](http://www.ryobitools.com)

RYOBI 25cc STRING TRIMMERS – ITEM NUMBERS RY251PH, RY252CS and RY253SS

FIGURE A  
ITEM NO. RY251PH



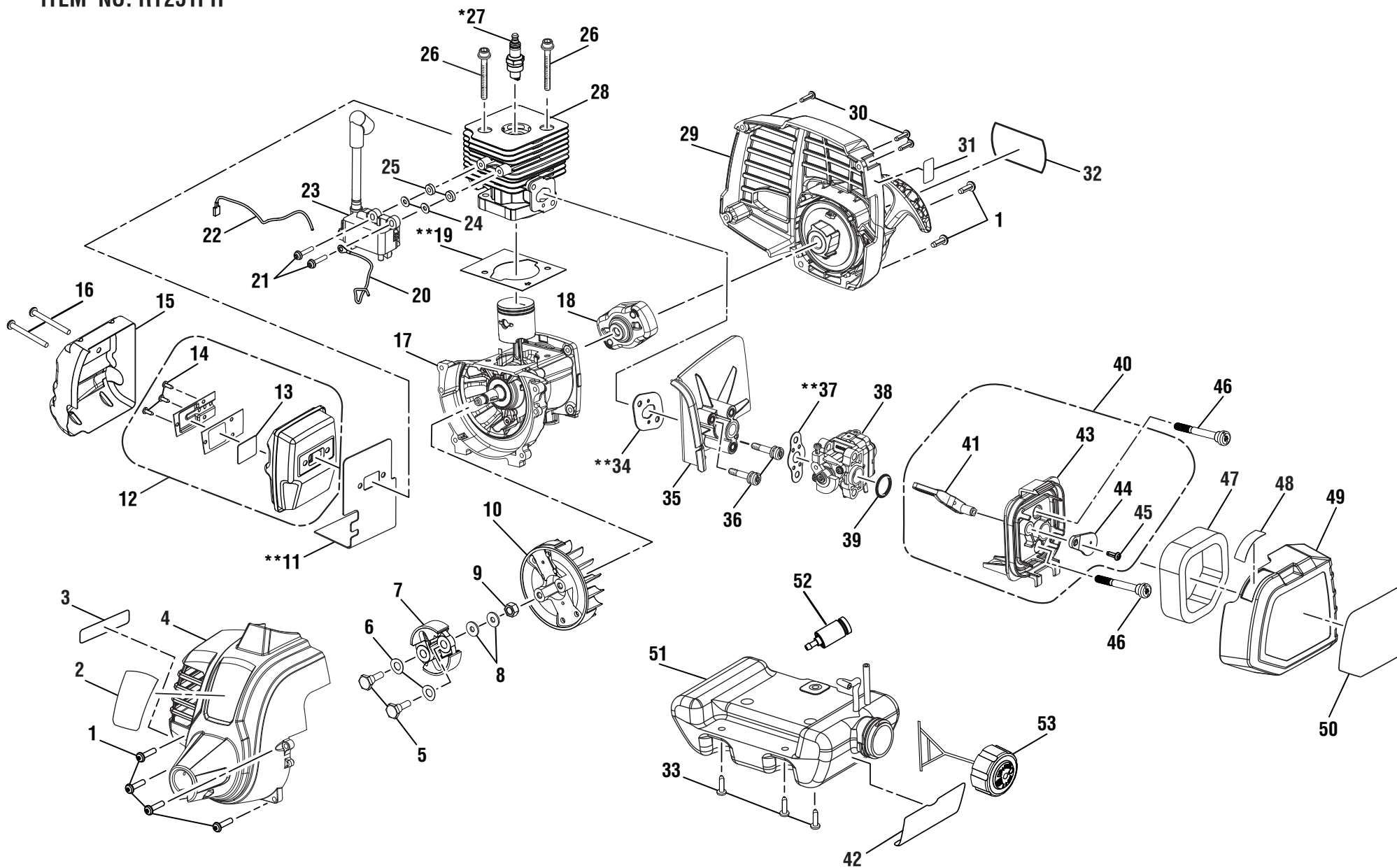
**RYOBI 25cc STRING TRIMMERS – ITEM NUMBERS RY251PH, RY252CS and RY253SS**

**PARTS LIST (FIGURE A)**

KEY NO.	PART NUMBER	DESCRIPTION	QTY
1	312630001	Boom Clamp Assembly .....	1
2	940657164	Warning Icon Label.....	1
3	308470060	Upper Boom Assembly (Inc. Key Nos. 1-2).....	1
4	660563002	Screw (M4 x 20 mm, T20 Torx Hd. S.T.) .....	4
5	310831005	Control Handle Assembly (Inc. Key No. 4) .....	1
6	518695009	Trigger Lock.....	1
7	690140011	Compression Spring.....	1
8	570234010	Rear Handle Grip .....	1
9	T660697001	Screw (M6 x 30 mm, T27 Torx Button Hd.) .....	1
10	660925011	Screw (M4 x 8 mm, T20 Torx Pan Hd. S.T.).....	1
11	205044002	Powerhead Assembly w/Labels .....	1
12	678029002	Hex Nut (M6 x 1).....	1
13	307318001	Throttle Cable and Wire Assembly .....	1
14	760961002	On/Stop Switch .....	1
15	518696020	Trigger.....	1
16	690694002	Trigger Spring .....	1
17	308991003	Front Handle Assembly (Inc. Key Nos. 18-20).....	1
18	660643008	Screw (1/4-20 x 40 mm, Cap Hex Hd.) .....	1
19	526764002	Front Handle.....	1
20	518949001	Wing Nut (1/4-20) .....	1
	<b>NOT SHOWN</b>		
	991000345	Operator's Manual (RY251PH, 961494004)	
	995000050	Operator's Manual (RY252CS & RY253SS, 961494017)	
	9-16-19		
	(Rev:02)		

RYOBI 25cc STRING TRIMMERS – ITEM NUMBERS RY251PH, RY252CS and RY253SS

FIGURE B  
ITEM NO. RY251PH



**RYOBI 25cc STRING TRIMMERS – ITEM NUMBERS RY251PH, RY252CS and RY253SS**

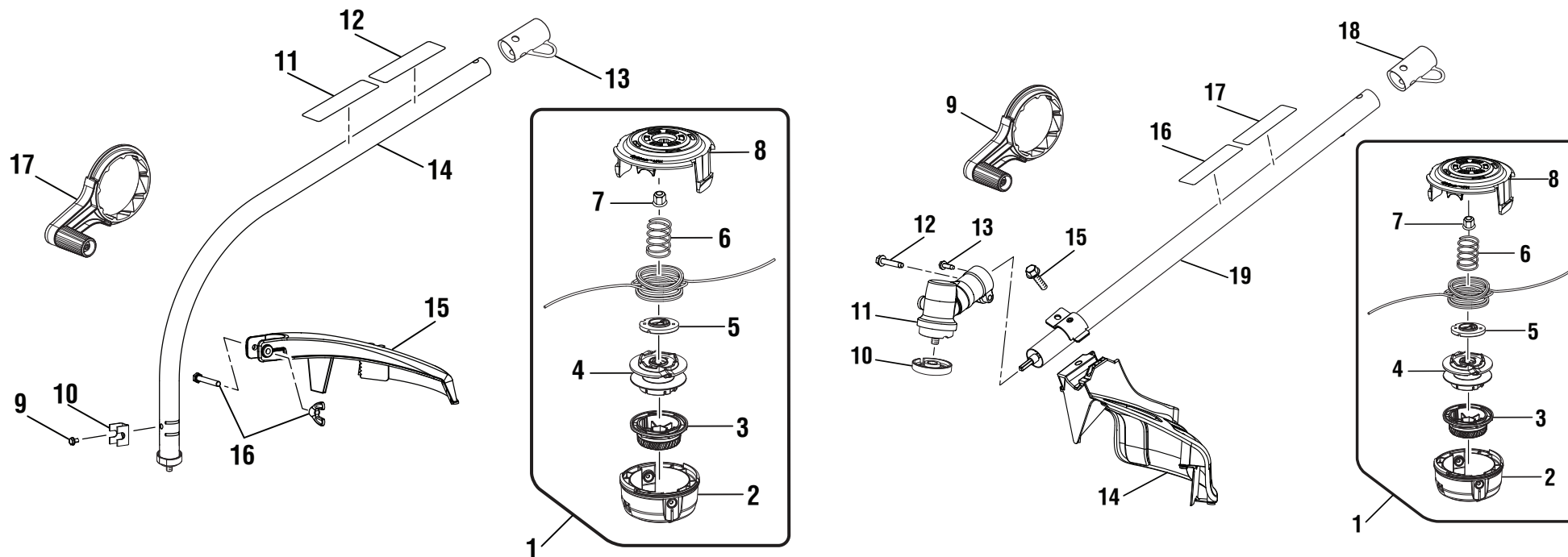
**PARTS LIST (FIGURE B)**

<b>KEY NO.</b>	<b>PART NUMBER</b>	<b>DESCRIPTION</b>	<b>QTY</b>	<b>KEY NO.</b>	<b>PART NUMBER</b>	<b>DESCRIPTION</b>	<b>QTY</b>
1	660344001	Screw w/Washer (M5 x 20 mm, T20 Torx Pan Hd.).....	6	30	660563002	Screw (M4 x 18 mm, T20 Torx Pan Hd. S.T.).....	3
2	940627041	Logo Label (Front) .....	1	31	941788001	Primer Bulb Location Label .....	1
3	940654088	Combustion Warning Label .....	1	32	940627042	Logo Label (Rear) .....	1
4	205082001	Front Housing Assembly (Inc. Key Nos. 2-3).....	1	33	660970002	Shoulder Screw (M4 x 14 mm, T25 Torx Truss Hd. S.T.)...3	3
5	660353001	Clutch Shoulder Bolt (M6 x 22.5 mm, Hex Hd.) .....	2	34	903279002 **	Insulator Gasket .....	1
6	690696001	Curved Washer .....	2	35	528275001	Heat Dam Insulator.....	1
7	307091001	Clutch Assembly.....	1	36	T662210002	Screw (M5 x 30 mm, T25 Torx Pan Hd. S.T.).....	2
8	690695001	Washer (ID6 x OD15 x 1.2t) .....	2	37	903034001 **	Gasket .....	1
9	690689001	Flywheel Nut.....	1	38	307160011	Carburetor Assembly (Inc. Key No. 39) .....	1
10	307156001	Flywheel.....	1	39	563841001	Carburetor O-Ring.....	1
11	630002032 **	Muffler Gasket .....	1	40	307191001	Airbox Base Assembly (Inc. Key Nos. 41-45).....	1
12	300748043	Muffler Assembly (Inc. Key Nos. 13-14) .....	1	41	591442001	Choke Lever .....	1
13	638268001	Screen .....	1	42	940864004	Fuel Mixture Label .....	1
14	660870001	Screw (6-20 x 1/4 in., T20 Torx Pan Hd. S.T.).....	3	43	591440001	Air Box Base.....	1
15	638027002	Heat Shield .....	1	44	590946001	Choke Plate .....	1
16	660347001	Screw (M5 x 50 mm, T25 Torx Pan Hd.).....	2	45	660345001	Screw (M4 x 12 mm, T20 Torx Pan Hd. S.T.).....	1
17	307192001	Crankcase Assembly.....	1	46	660454020	Shoulder Screw (M5 x 45 mm, T25 Torx Pan Hd.) .....	2
18	308004003	Starter Cup .....	1	47	560873001	Air Filter .....	1
19	900709007 **	Gasket .....	1	48	940647111	Choke Position Label .....	1
20	290143002	Lead Wire (Red) .....	1	49	308649003	Airbox Cover (Inc. Key Nos. 48 & 50) .....	1
21	660968004	Screw w/Washer (M4 x 22 mm, T20 Torx Pan Hd. S.T.)....	2	50	940686168	Starting Instructions Label .....	1
22	290143001	Lead Wire (Black).....	1	51	308682055	Fuel Tank and Cap Assembly (Inc. Key Nos. 52-54).....	1
23	291337001	Coil Boot Assembly .....	1	52	310976001	Fuel Filter .....	1
24	690969001	Washer (ID4.2 x OD10 x 1t) .....	2	53	310816018	Fuel Cap Assembly.....	1
25	590462001	Spacer (Phenolic) .....	2	<b>Not Shown:</b>			
26	660342001	Screw (M5 x 22 mm, Soc. Hd.).....	2	000998930	Spark Arrestor Kit (Inc. Key Nos. 13-14)		
27	870174002 *	Spark Plug (Torch L7RTC) .....	1	120900307	High Altitude Kit (Not Included)		
28	642368001	Cylinder .....	1				
29	307157002	Rear Housing and Starter Assembly (Inc. Key Nos. 31-32).....	1				

\* Standard Hardware Item – May Be Purchased Locally

\*\* Non-Reuseable Parts = Keys 11, 19, 34 and 37

**RYOBI 25cc STRING TRIMMERS – ITEM NUMBERS RY251PH, RY252CS and RY253SS**



KEY NO.	PART NUMBER	DESCRIPTION	QTY
1	311759013	Trimmer Head Assembly (.095) (Inc. Key Nos. 2-8).....	1
2	530366001	Lower Housing .....	1
3	530455002	Bump Knob (Green).....	1
4	530670001	Spool .....	1
5	529803001	String Guide.....	1
6	678749001	Compression Spring.....	1
7	662569001	Hex Nut (M8).....	1
8	530001004	Upper Housing .....	1
9	660647001	Screw (#10-32 x 3/8 in., Hex Washer Hd. S.T.) .....	1
10	638001001	Clamp .....	1
11	940726013	Expand-it Label .....	1
12	940657165	Warning Icon Label.....	1
13	518019002	Storage Hanger Cap.....	1
14	307486002	Curved Shaft Assembly (Inc. Key Nos. 9-13) .....	1
15	308744010	Grass Deflector Assembly (Inc. Key No. 16) .....	1
16	205012001	Fastener Kit .....	1
17	532048001	Crank Handle.....	1

KEY NO.	PART NUMBER	DESCRIPTION	QTY
1	311759014	Trimmer Head Assembly (.095) (Inc. Key Nos. 2-8) .....	1
2	530366001	Lower Housing .....	1
3	530455002	Bump Knob (Green) .....	1
4	530670001	Spool.....	1
5	529803001	String Guide .....	1
6	678749001	Compression Spring .....	1
7	662568002	Hex Nut (M8, L.H. Thread) .....	1
8	530001004	Upper Housing .....	1
9	532048001	Crank Handle .....	1
10	678011001	Flanged Washer .....	1
11	308210009	Gear Case Assembly.....	1
12	660642001	Screw (1/4-20 x 1-1/4 in., Hex Washer Hd. S.T.) .....	1
13	660641001	Screw (10-24 x 5/8 in., Hex Washer Hd. S.T.) .....	1
14	308473005	Grass Deflector Assembly (Inc. Key No. 15).....	1
15	660738002	Screw (1/4-20 x 7/8 in., Hex Hd.).....	1
16	940726013	Expand-it Label.....	1
17	940657165	Warning Icon Label .....	1
18	518019002	Storage Hanger Cap .....	1
19	308035047	Straight Shaft Assembly (Inc. Key Nos. 16-18).....	1