

RYOBI RY24600 HEDGE TRIMMER

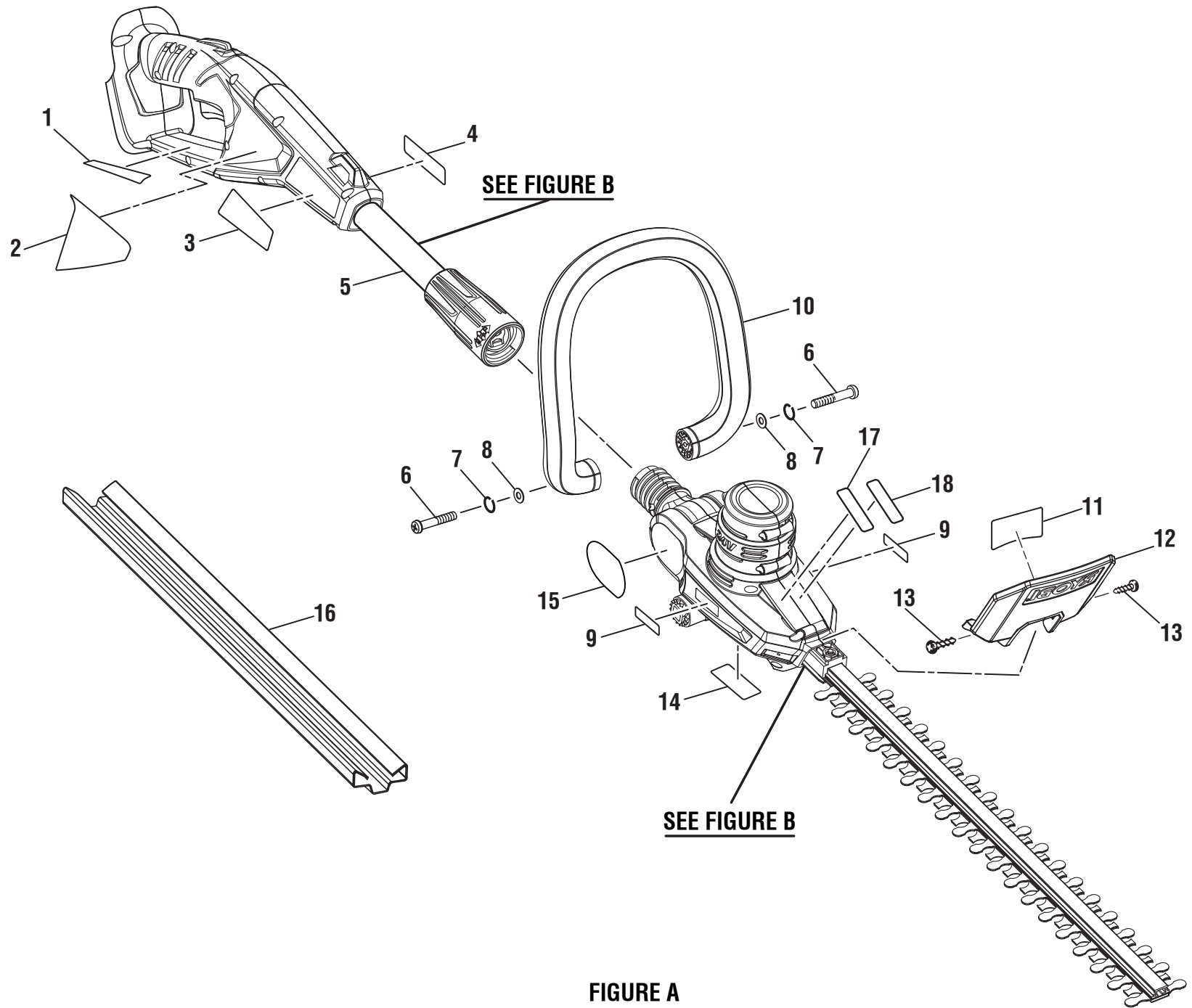


FIGURE A

RYOBI RY24600 HEDGE TRIMMER

The model number will be found on a label attached to the motor housing. Always mention the model number in all correspondence regarding your **HEDGE TRIMMER** or when ordering repair parts.

PARTS LIST – FIGURE A

KEY NO.	PART NUMBER	DESCRIPTION	QTY
1	099628001005	Power Head Icon Label	1
2	099628001007	Warning Label (French/Spanish).....	1
3	099628001004	Data Label	1
4	099627001003	Power Head Logo Label.....	1
5	31103459G	Power Head Assembly	1
6	32201162G	Bolt (M4 x 23 mm)	2
7	3290675G	Spring Washer	2
8	3290305G	Washer.....	2
9	099628001009	Motor Housing Logo Label.....	2
10	31104459G	Front Handle Assembly	1
11	099628001008	Warning Label (English)	1
12	34101459G	Guard.....	1
13	3220187G	Screw (M3 x 12 mm).....	2
14	099628001006	Motor Housing Data Label	1
15	099627001008	Pivot Label.....	1
16	518463005G	Blade Cover.....	1
17	099628001011	Motor Housing Icon Label (Left)	1
18	099628001012	Motor Housing Icon Label (Right).....	1
NOT SHOWN			
	OP241	Battery Pack	1
	OP140	Charger	1
	988000399	Operator's Manual	

10-17-11
(REV:03)

RYOBI RY24600 HEDGE TRIMMER

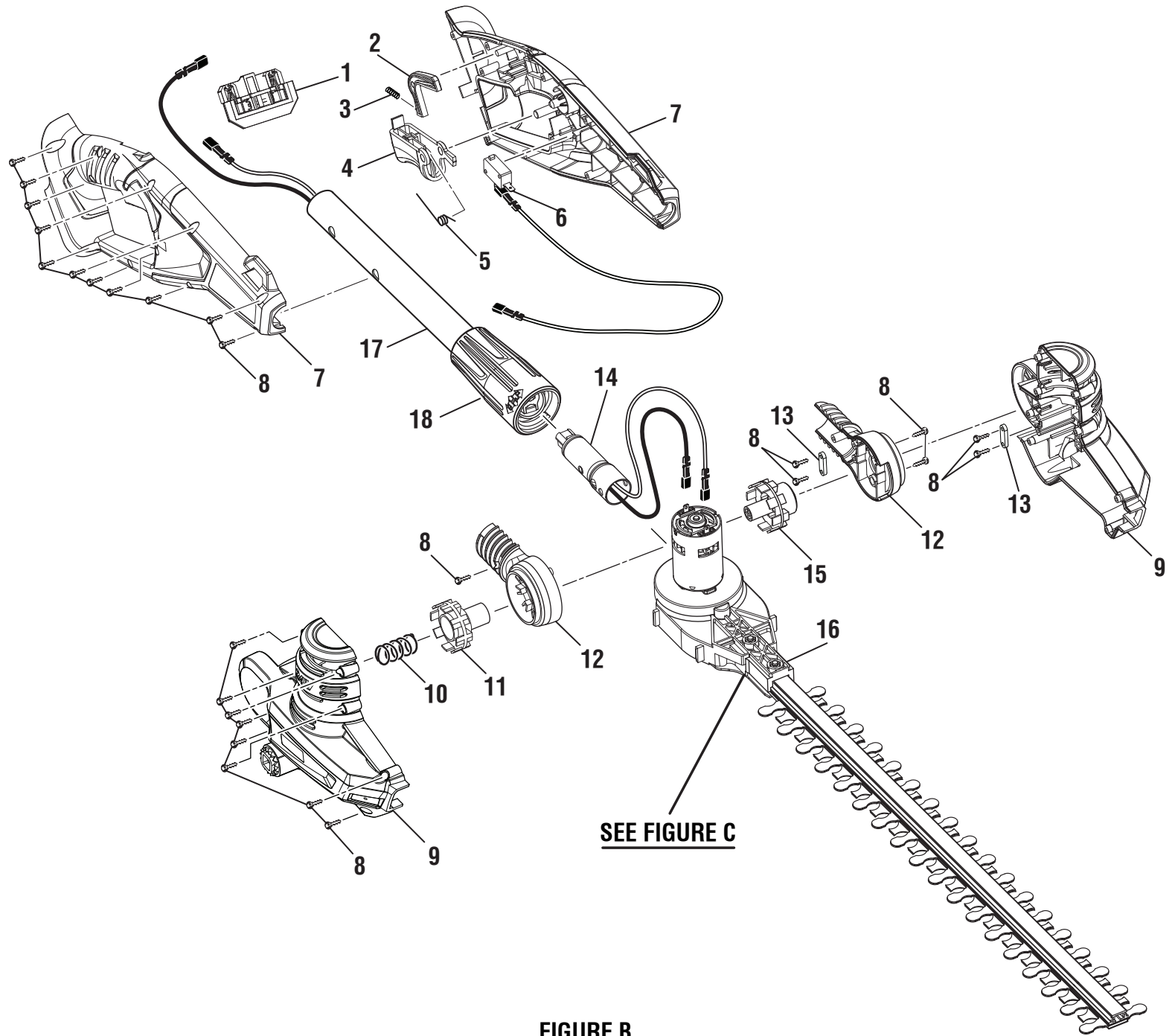


FIGURE B

RYOBI RY24600 HEDGE TRIMMER

The model number will be found on a label attached to the motor housing. Always mention the model number in all correspondence regarding your **HEDGE TRIMMER** or when ordering repair parts.

PARTS LIST – FIGURE B

KEY NO.	PART NUMBER	DESCRIPTION	QTY
1	31109459G	Contact Plate.....	1
2	34103517G	Lock Button.....	1
3	33901517G	Compression Spring.....	1
4	34110459G	Switch Trigger.....	1
5	33401181G	Torsion Spring.....	1
6	31112459G	Switch w/Leads.....	1
7	31301517G	Handle Assembly.....	1
8	32201517G	Screw (M4 x 16 mm).....	26
9	31111459G	Housing Assembly.....	1
10	33903171G	Compression Spring.....	1
11	34105459G	Left Pivot Head Button.....	1
12	31110459G	Pivot Head Assembly.....	1
13	3410801G	Cord Clamp.....	2
14	31106459G	Connector Assembly w/Leads.....	1
15	34103459G	Right Pivot Head Button.....	1
16	31101459G	Motor Assembly w/Blades.....	1
17	31105459G	Tube w/Coupler Assembly.....	1
18	34113508-1G	Shaft Coupler.....	1

RYOBI RY24600 HEDGE TRIMMER

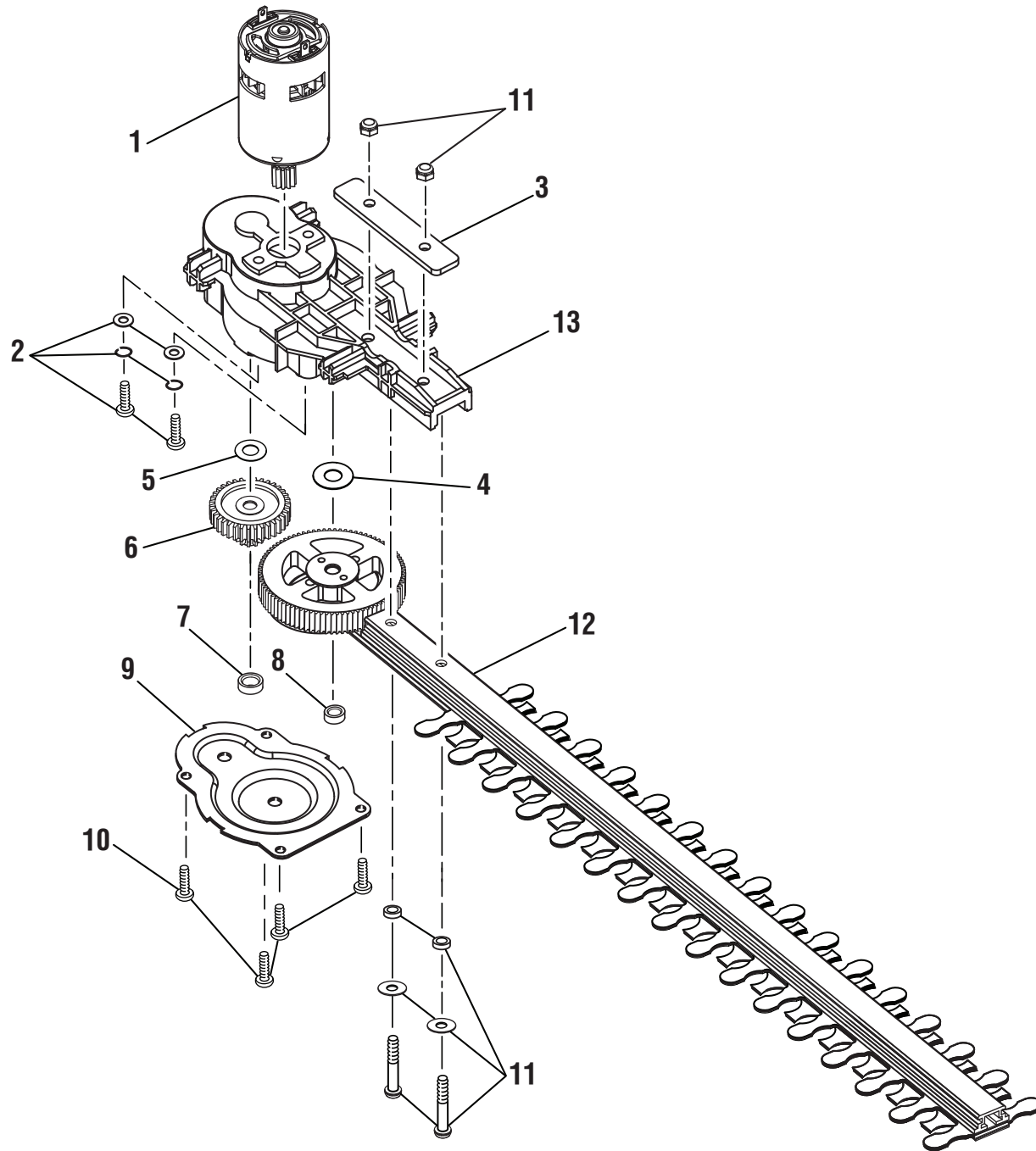


FIGURE C

RYOBI RY24600 HEDGE TRIMMER

The model number will be found on a label attached to the motor housing. Always mention the model number in all correspondence regarding your **HEDGE TRIMMER** or when ordering repair parts.

PARTS LIST — FIGURE C

KEY NO.	PART NUMBER	DESCRIPTION	QTY
1	31107459G	Motor w/Pinion	1
2	33203505G	Motor Fastener Assembly	2
3	33306459G	Cord Clip	1
4	33301453G	Large Washer.....	1
5	33302453G	Small Washer.....	1
6	33201451AG	Dual Gear.....	1
7	33201453AG	Bushing.....	1
8	33202453G	Bushing.....	1
9	33303453G	Gearbox Cover	1
10	3220313G	Screw (M4 x 14 mm).....	4
11	312014596G	Fastener Assembly	2
12	31102459G	Blade Assembly.....	1
13	34111459G	Gearbox.....	1