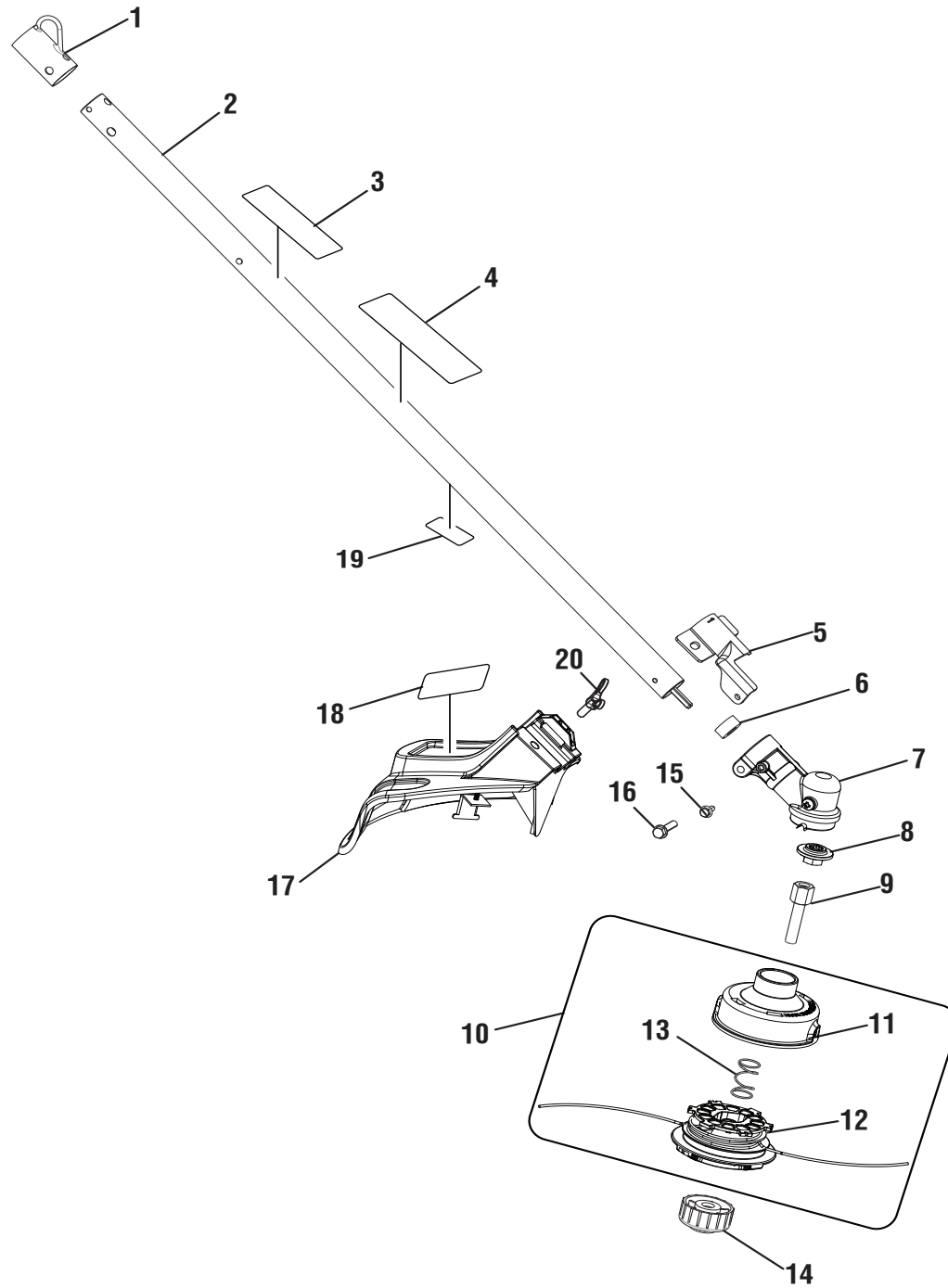


**RYOBI
TRIMMER ATTACHMENT
MODEL NUMBER RY15523A
REPAIR SHEET**

RY15523A TRIMMER ATTACHMENT



RY15523A TRIMMER ATTACHMENT

The model number will be found on a label attached to the motor housing. Always mention the model number of your **STRING TRIMMER** when requesting service or ordering repair parts.

PARTS LIST

KEY NO.	PART NUMBER	DESCRIPTION	QTY
1	518019002	Hanger Cap	1
2	311247001	Straight Shaft Assembly (Inc. Key Nos. 3-4 & 19)	1
3	940749005	Warning Icon Label.....	1
4	940726013	Ryobi EXPAND-IT Label	1
5	638125001	Grass Deflector Clamp	1
6	518367001	Spacer	1
7	308210009	Gear Head	1
8	678011002	Flanged Washer.....	1
9	678019002	Adaptor.....	1
10	311248001	Stringhead Reel Assembly (Inc. Key Nos. 11-13).....	1
11	310643001	String Head Housing	1
12	311292001	Spool	1
13	678022001	Compression Spring.....	1
14	308042003	Spool Retainer	1
15	660641001	Screw (10-24 x 5/8 in.)	1
16	660642001	Screw (1/4-20 x 1-1/4 in.).....	1
17	311245001	Grass Deflector Assembly (Inc. Key Nos. 18 & 20)	1
18	940705024	Logo Label.....	1
19	941588053	Data Label	1
20	660886001	Wing Screw (1/4-20 x 3/4 in.)	1
	Not Shown:		
	990000799	Operator's Manual	
	10-8-18		
	(Rev:02)		