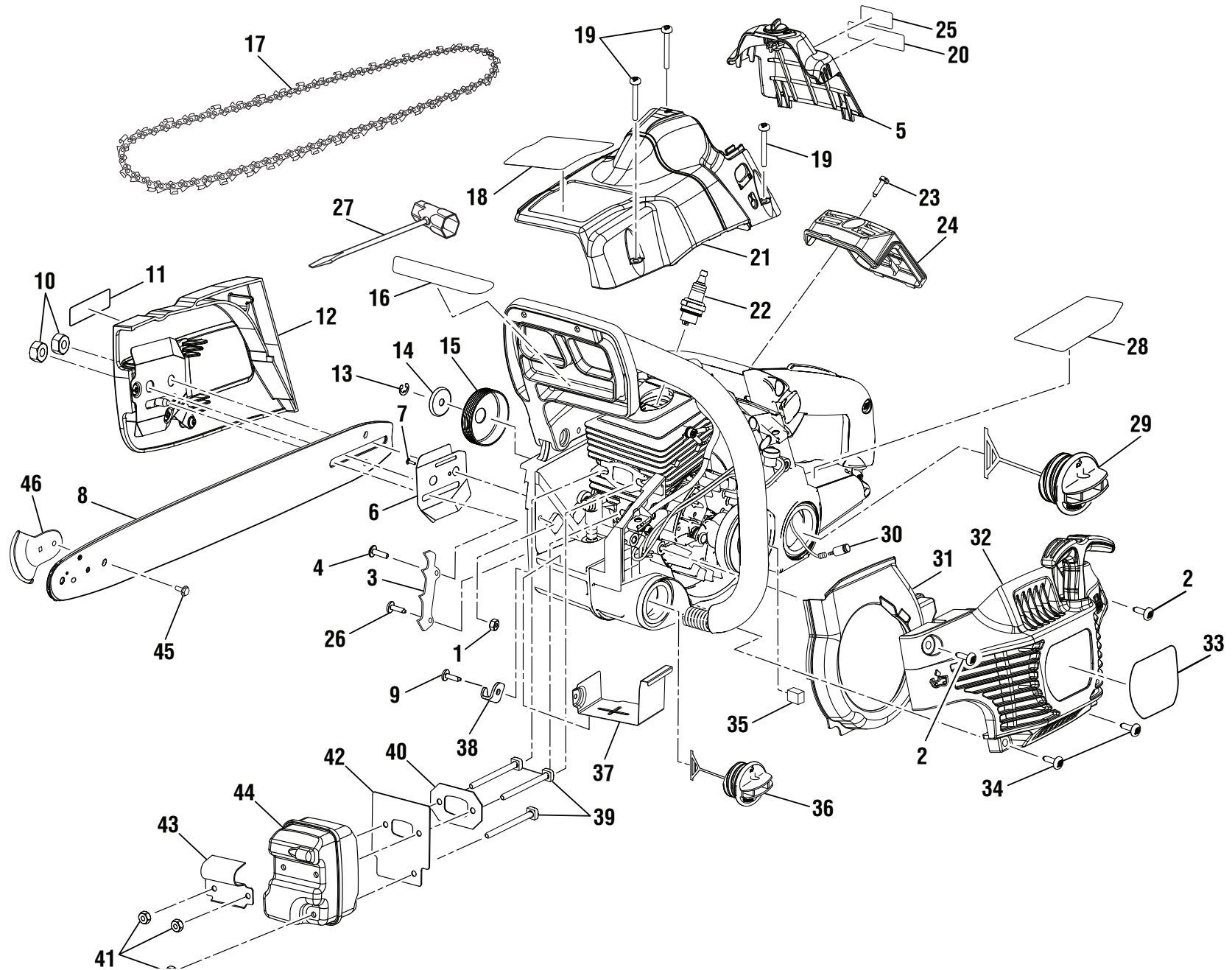


RYOBI CHAIN SAW – MODEL NUMBERS RY10519, RY10521, RY10519A & RY10521A



## RYOBI CHAIN SAW – MODEL NUMBERS RY10519, RY10521, RY10519A & RY10521A

The model number will be found on a label attached to the motor housing. Always mention the model number in all correspondence regarding your **CHAIN SAW** or when ordering repair parts.

### PARTS LIST

KEY NO.	PART NUMBER	DESCRIPTION	QTY	KEY NO.	PART NUMBER	DESCRIPTION	QTY
1	678027002	Lock Nut (10-24) .....	1	26	660621001	Screw (10-14 x 1/2 in., T.F.).....	1
2	660632001	Screw (10-14 x 5/8 in., Torx Pan Hd.) .....	2	27	631055005	Combination Wrench .....	1
3	631039001	Spike Bar.....	1	28	940734085	Starting Instruction Label.....	1
4	660625001	Screw (10-24 x 5/8 in., Torx Pan Hd.) .....	1	29	300948005	Fuel Cap Assembly .....	1
5	310995001	Filter Cover.....	1	30	310976001	Fuel Filter.....	1
6	631036001	Inner Guide Plate .....	1	31	518055002	Fan Housing Baffle.....	1
7	T660619001	Screw (6-19 x 1/2 in., T.F.).....	1	32	308067008	Starter Cover Assembly .....	1
8	310628003	18 in. Guide Bar w/SAFE-T-TIP (Inc. Key Nos. 45-46, Model RY10519 & RY10519A) .....	1	33	940968017	C4618 Label (Model RY10519 & RY10519A) .....	1
	310629003	20 in. Guide Bar w/SAFE-T-TIP (Inc. Key Nos. 45-46, Model RY10521 & RY10521A) .....	1	34	660637001	C4620 Label (Model RY10521 & RY10521A) .....	1
9	660614001	Screw (10-14 x 1/2 in., Torx Truss Hd. T.F.).....	1	35	900844001	Screw (10-14 x 7/8 in., Torx Truss Hd.).....	2
10	678339003	Guide Bar Nut (5/16-18).....	2	36	300949004	Prefilter .....	1
11	940635069	Logo Label .....	1	37	638455002	Oil Cap Assembly.....	1
12	300957019	Chain Cover Assembly.....	1	38	631035003	Heat Shield.....	1
13	671103001	E-Ring .....	1	39	660626002	Chain Catcher .....	1
14	631060001	Cupped Washer .....	1	40	900848003	Bolt (Square Hd.).....	3
15	300958002	Sprocket Drum and Bearing Assembly (.325 chain).....	1	41	671079001	Muffler Gasket.....	1
16	941511001	Chain Brake Label.....	1	42	900888002	Lock Nut (10-32) .....	3
17	901430001	Chain (.325 x 72 link, 18 in., Model RY10519 & RY10519A) .....	1	43	638513005	Muffler Plate .....	1
	900920027	Chain (.325 x 78 link, 20 in., Model RY10521 & RY10521A) .....	1	44	309310006	Muffler Deflector.....	1
18	940637013	Warning Label (Model RY10519 & RY10519A) ..	1	45	660640001	Muffler Assembly (Includes Key Nos. 42-44) .....	1
	940637012	Warning Label (Model RY10521 & RY10521A) ..	1	46	308944001	Screw w/Washer (8-32 x 7/16 in., Hex Hd.).....	1
19	660636001	Screw (10-16 x 1-1/2 in. Special).....	3		<b>Not Shown:</b>	SAFE-T-TIP.....	1
20	940654088	Combustion Label.....	1		518061012	18 in. Scabbard (Model RY10519 & RY10519A) .....	1
21	518042022	Top Cover.....	1		518061013	20 in. Scabbard (Model RY10521 & RY10521A) .....	1
22	870174001	Spark Plug (Champion RCJ6Y).....	1		308280003	Carrying Case (Scabbard Not Included) .....	1
23	660617001	Screw (8-16 x 5/8 in., Torx T.F.).....	1		988000565	Operator's Manual (RY10519 & RY10521) .....	1
24	518049001	Air Filter .....	1		990000019	Operator's Manual (RY10519A & RY10521A, 2012) .....	1
25	940487006	Phone Number Label .....	1		990000486	Operator's Manual (RY10519A & RY10521A, 2013) .....	1
					2-13-13 (REV:04)		

RYOBI CHAIN SAW – MODEL NUMBERS RY10519, RY10521, RY10519A & RY10521A

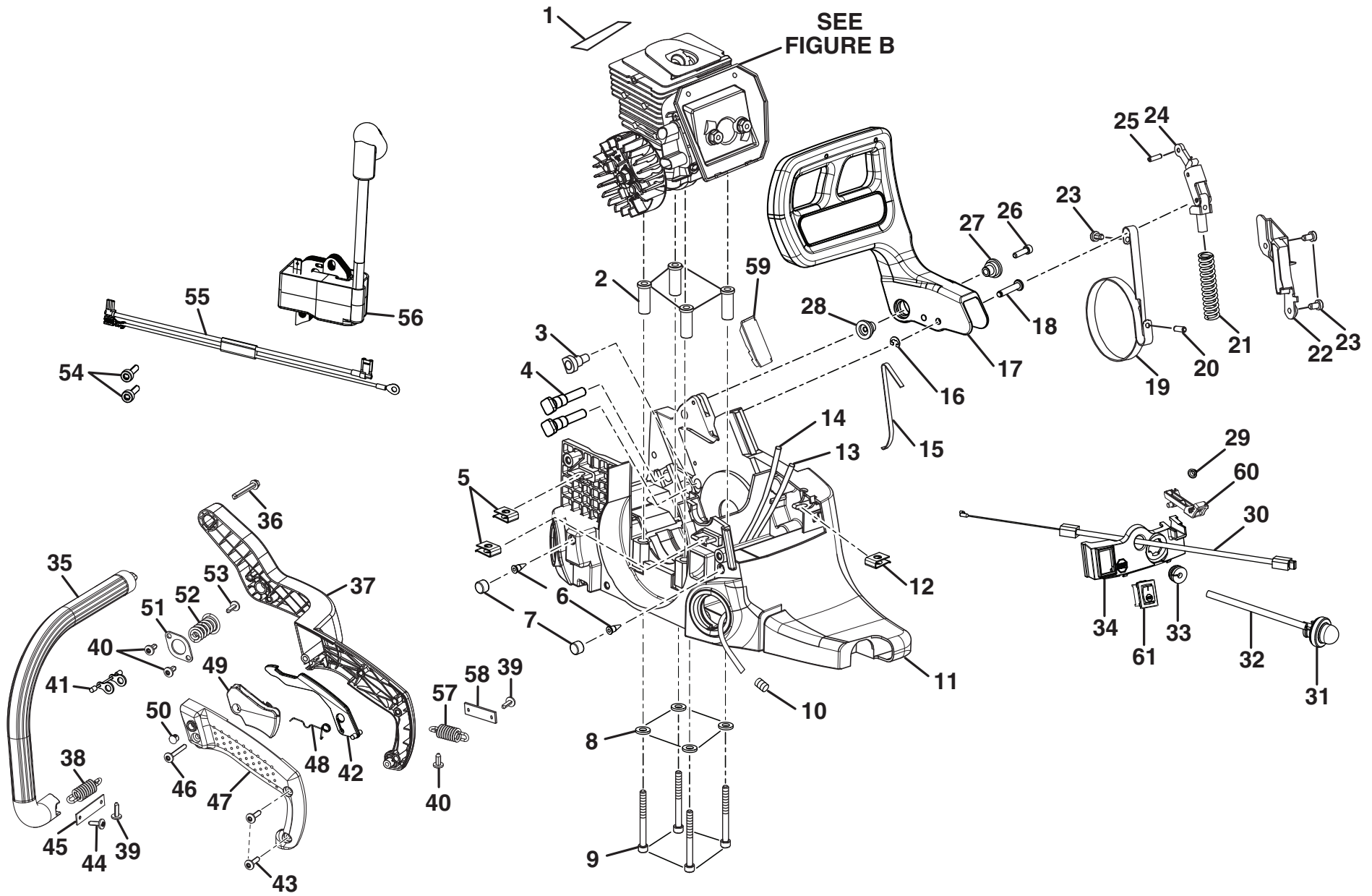


Figure A

## RYOBI CHAIN SAW – MODEL NUMBERS RY10519, RY10521, RY10519A & RY10521A

The model number will be found on a label attached to the motor housing. Always mention the model number in all correspondence regarding your **CHAIN SAW** or when ordering repair parts.

### PARTS LIST (FIGURE A)

KEY NO.	PART NUMBER	DESCRIPTION	QTY	KEY NO.	PART NUMBER	DESCRIPTION	QTY
1	901421003	Heat Reflector Tape.....	1	32	570259051	Rubber Tubing (64 mm) .....	1
2	671087001	Spacer Insert .....	4	33	570227001	Split Grommet .....	1
3	570226001	Oil Outlet Grommet .....	1	34	518044004	Control Panel .....	1
4	660628001	Guide Bar Bolt.....	2	35	511724005	Front Handle.....	1
5	671077001	Speed Nut ("U"-type) .....	2	36	660631001	Screw (12-14 x 1-1/2 in.).....	1
6	560955001	Duck Bill Valve.....	2	37	511721008	Rear Handle.....	1
7	671088001	Element .....	2	38	671101005	Spring .....	1
8	671080001	Washer .....	4	39	660632001	Screw (10-14 x 5/8 in., T.F.) .....	2
9	660622001	Screw (10-24 x 2 in.).....	4	40	660618001	Screw (10-14 x 1/2 in., T.F.) .....	3
10	690765001	Hose Clamp.....	1	41	308776005	Limiter (Upper Isolator Spring) .....	1
11	300951016	Chassis.....	1	42	518051007	Trigger Release .....	1
12	671077002	Speed Nut ("U"-type) .....	1	43	660629001	Screw (10-14 x 3/4 in., T.F.) .....	2
13	562967005	Inlet Tubing (166 mm).....	1	44	660719001	Screw (10-14 x 5/8 in., T.F.) .....	1
14	570259046	Return Tubing (220 mm).....	1	45	631050003	Spring Retainer.....	1
15	638024001	Spring.....	1	46	660633001	Screw (10-14 x 1-3/8 in.).....	1
16	671075001	Retaining Ring.....	1	47	511722009	Handle Cover .....	1
17	300985007	Hand Guard.....	1	48	678037001	Torsion Spring .....	1
18	620282001	Hand Guard Actuating Pin .....	1	49	518052003	Trigger.....	1
19	631063002	Brake Band.....	1	50	518050003	Plug .....	1
20	671095001	Spring Pin.....	1	51	631051001	Isolator Plate .....	1
21	678113001	Spring.....	1	52	671098003	Isolator Spring.....	1
22	511720002	Chain Brake Cover .....	1	53	660630001	Screw (10-24 x 5/8 in., T.F.) .....	1
23	660634001	Screw (8-16 x 5/16 in.) .....	3	54	660639001	Screw (8-32 x 3/4 in., T.F.) .....	2
24	300954001	Chain Brake Link Assembly .....	1	55	290298002	Ignition Switch Assembly .....	1
25	671099001	Spring Pin (Small) .....	1	56	309261003	Ignition Kit .....	1
26	660635001	Screw (8-32 x 5/8 in.) .....	1	57	671101006	Spring .....	1
27	671096001	Pivot (Right Hand) .....	1	58	631050004	Spring Retainer.....	1
28	671097001	Pivot (Left Hand).....	1	59	631370001	Baffle .....	1
29	631034002	Hair Pin .....	1	60	511709007	Choke Lever .....	1
30	900885001	Throttle Cable.....	1	61	760338002	Stop Switch.....	1
31	308088003	Primer Bulb.....	1				

RYOBI CHAIN SAW – MODEL NUMBERS RY10519, RY10521, RY10519A & RY10521A

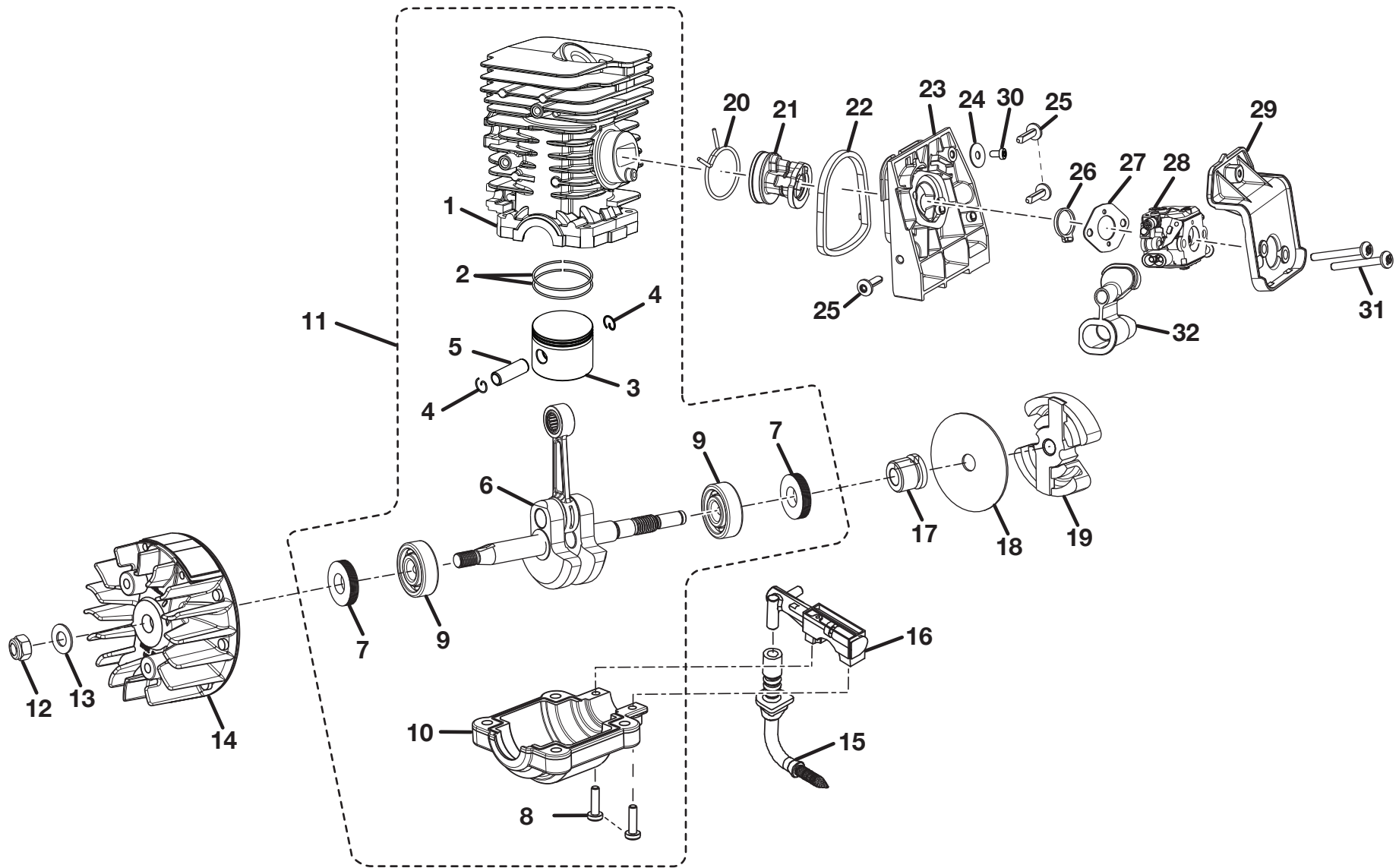


Figure B

**RYOBI CHAIN SAW – MODEL NUMBERS RY10519, RY10521, RY10519A & RY10521A**

The model number will be found on a label attached to the motor housing. Always mention the model number in all correspondence regarding your **CHAIN SAW** or when ordering repair parts.

**PARTS LIST (FIGURE B)**

KEY NO.	PART NUMBER	DESCRIPTION	QTY	KEY NO.	PART NUMBER	DESCRIPTION	QTY
1	640200015	Cylinder .....	1	17	T610389001	Left Hand Worm .....	1
2	678747003	Piston Ring .....	2	18	631061001	Thrust Washer .....	1
3	640350012	Piston .....	1	19	300960003	Clutch Assembly .....	1
4	678053001	Retaining Ring .....	2	20	671267001	Wire Clamp .....	1
5	620392001	Piston Pin .....	1	21	570243001	Intake Boot .....	1
6	309160007	Crankshaft Assembly .....	1	22	518047001	Carburetor Adaptor Seal .....	1
7	570220004	Shaft Seal .....	2	23	308081002	Carburetor Adapter .....	1
8	660627001	Screw (8-32 x 5/8 in.) .....	2	24	671072001	Washer .....	1
9	671089002	Ball Bearing .....	2	25	660629001	Screw (10-14 x 3/4 in., T.F.) .....	3
10	640843002	Crankcase .....	1	26	518045001	Carburetor Plate .....	1
11	309890007	Short Block Assembly (Inc. Key Nos. 1-10) .....	1	27	900886002	Carburetor Gasket.....	1
12	678067001	Lock Nut (M8) .....	1	28	309360002	Carburetor Assembly.....	1
13	631049001	Washer .....	1	29	518048001	Air Filter Base .....	1
14	309010005	Flywheel Assembly .....	1	30	660634001	Screw (8-16 x 5/16 in.) .....	1
15	300950001	Oil Intake Tube Assembly .....	1	31	660655001	Screw (10-32 x 1 3/4 in.) .....	2
16	300945001	Oil Pump Assembly .....	1	32	570242002	Grommet .....	1