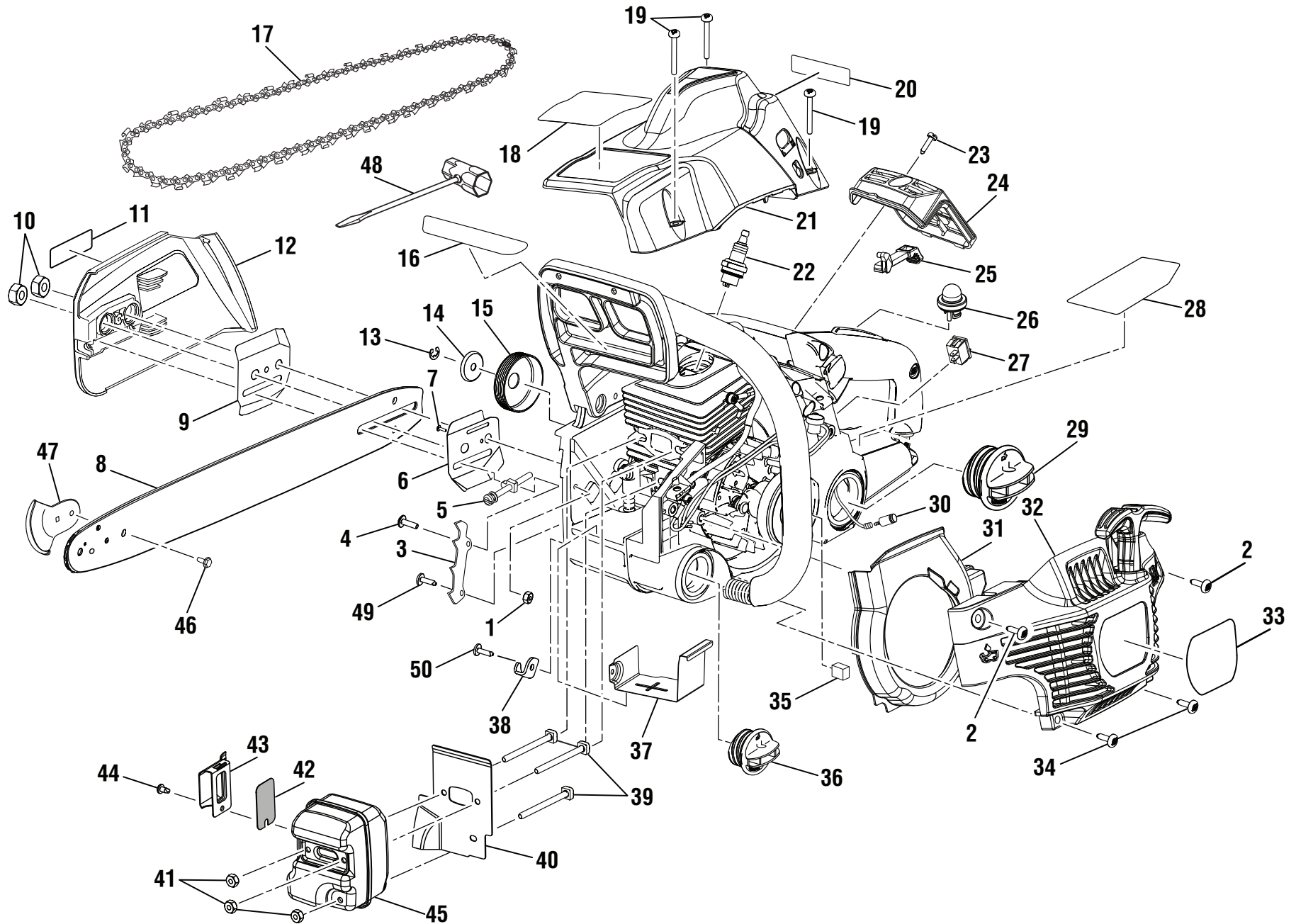


RYOBI CHAIN SAW – MODEL NUMBERS RY10518 & RY10520



RYOBI CHAIN SAW – MODEL NUMBERS RY10518 & RY10520

The model number will be found on a plate attached to the motor housing. Always mention the model number in all correspondence regarding your **CHAIN SAW** or when ordering repair parts.

PARTS LIST

KEY NO.	PART NUMBER	DESCRIPTION	QTY	KEY NO.	PART NUMBER	DESCRIPTION	QTY
1	678027002	Lock Nut (10-24)	1	28	940734085	Starting Instruction Label	1
2	660632001	Screw (10-14 x 5/8 in., Torx Pan Hd.)	2	29	300948005	Fuel Cap Assembly	1
3	631039001	Spike Bar.....	1	30	300759005	Fuel Filter.....	1
4	660625001	Screw (10-24 x 5/8 in., Torx Pan Hd.)	1	31	518055002	Fan Housing Baffle.....	1
5	308116001	Guide Bar Adjustment Screw.....	1	32	308067005	Starter Cover Assembly	1
6	631036001	Inner Guide Plate	1	33	940968017	C4618 Label (Model RY10518)	1
7	T660619001	Screw (6-19 x 1/2 in., T.F.).....	1		940968018	C4620 Label (Model RY10520)	1
8	310628003	18 in. Guide Bar w/SAFE-T-TIP (Inc. Key Nos. 46-47, Model RY10518).....	1	34	660637001	Screw (10-14 x 7/8 in., Torx Truss Hd.).....	2
	310629003	20 in. Guide Bar w/SAFE-T-TIP (Inc. Key Nos. 46-47, Model RY10520).....	1	35	900844001	Prefilter	1
9	631038001	Outer Guide Plate.....	1	36	300949004	Oil Cap Assembly.....	1
10	678339003	Guide Bar Nut (5/16-18).....	2	37	638455001	Heat Shield.....	1
11	940752007	Logo Label	1	38	631035002	Chain Catcher	1
12	300957017	Chain Cover Assembly.....	1	39	660626002	Bolt (Square Hd.).....	3
13	671103001	E-Ring	1	40	900894002	Muffler Gasket.....	1
14	631060001	Cupped Washer	1	41	671079001	Lock Nut (10-32)	3
15	300958002	Sprocket Drum and Bearing Assembly (.325 chain).....	1	42	638673001	Spark Screen.....	1
16	941511001	Chain Brake Label.....	1	43	638467003	Muffler Deflector.....	1
17	901430001	Chain (.325 x 72 link, 18 in., Model RY10518)	1	44	660624001	Screw (8-32 x 5/16 in., Pan Hd. T.F.).....	1
	900920027	Chain (.325 x 78 link, 20 in., Model RY10520)	1	45	309310003	Muffler Assembly (Includes Key Nos. 42-44) ..	1
18	940637013	Warning Label (Model RY10518).....	1	46	660640001	Screw w/Washer (8-32 x 7/16 in., Hex Hd.)....	1
	940637012	Warning Label (Model RY10520).....	1	47	308944001	SAFE-T-TIP.....	1
19	660636001	Screw (10-16 x 1-1/2 in. Special).....	3	48	631055005	Combination Wrench	1
20	940654088	Combustion Label.....	1	49	660621001	Screw (10-14 x 1/2 in., T.F.).....	1
21	518042016	Top Cover.....	1	50	660618001	Screw (10-14 x 1/2 in., Torx Truss Hd. T.F.)....	1
22	870174001	Spark Plug (Champion RCJ6Y).....	1		Not Shown:		
23	660617001	Screw (8-16 x 5/8 in., Torx T.F.)	1		518061012	18 in. Scabbard (Model RY10518)	1
24	518049002	Air Filter	1		518061013	20 in. Scabbard (Model RY10520)	1
25	511709007	Choke Lever.....	1		308280003	Carrying Case (Scabbard Not Included)	1
26	308088003	Primer Bulb	1		988000300	Operator's Manual.....	1
27	760338001	Switch	1		11-16-10		
					(REV:02)		

RYOBI CHAIN SAW – MODEL NUMBERS RY10518 & RY10520

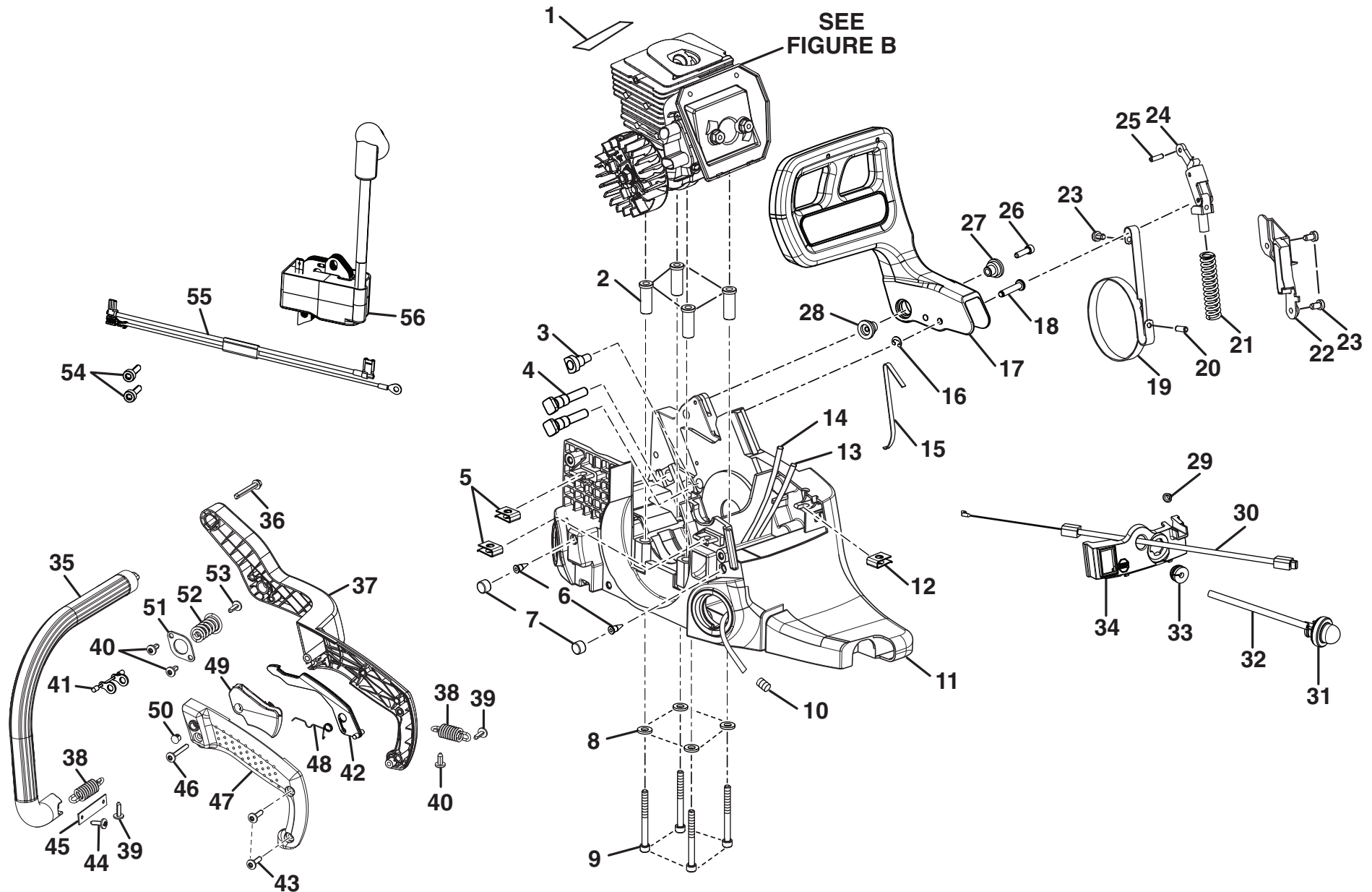


Figure A

RYOBI CHAIN SAW – MODEL NUMBERS RY10518 & RY10520

The model number will be found on a plate attached to the motor housing. Always mention the model number in all correspondence regarding your **CHAIN SAW** or when ordering repair parts.

PARTS LIST (FIGURE A)

KEY NO.	PART NUMBER	DESCRIPTION	QTY	KEY NO.	PART NUMBER	DESCRIPTION	QTY
1	901421003	Heat Reflector Tape.....	1	29	631034002	Hair Pin	1
2	671087001	Spacer Insert	4	30	900885001	Throttle Cable	1
3	570226001	Oil Outlet Grommet	1	31	308088003	Fuel Pump	1
4	660628001	Guide Bar Bolt.....	2	32	570259051	Rubber Tubing (64 mm)	1
5	671077001	Speed Nut (“U”-type)	2	33	570227001	Split Grommet	1
6	560955001	Duck Bill Valve.....	2	34	518044004	Control Panel	1
7	671088001	Element	2	35	511724003	Front Handle.....	1
8	671080001	Washer	4	36	660631001	Screw (12-14 x 1-1/2 in.).....	1
9	660622001	Screw (10-24 x 2 in.).....	4	37	511721008	Rear Handle.....	1
10	690765001	Hose Clamp.....	1	38	671101001	Extension Spring	2
11	300951016	Chassis.....	1	39	660632001	Screw (10-14 x 5/8 in., T.F.)	2
12	671077002	Speed Nut (“U”-type)	1	40	660618001	Screw (10-14 x 1/2 in., T.F.)	3
13	570259046	Rubber Tubing (175 mm).....	1	41	308776002	Limiter (Upper Isolator Spring)	1
14	570247003	Rubber Tubing (230 mm).....	1	42	518051007	Trigger Release	1
15	638024001	Spring.....	1	43	660629001	Screw (10-14 x 3/4 in., T.F.)	2
16	671075001	Retaining Ring	1	44	660719001	Screw (10-14 x 5/8 in., T.F.)	1
17	511723006	Hand Guard	1	45	631050001	Spring Retainer.....	1
18	620282001	Hand Guard Actuating Pin	1	46	660633001	Screw (10-14 x 1-3/8 in.).....	1
19	631063002	Brake Band.....	1	47	511722009	Handle Cover	1
20	671095001	Spring Pin.....	1	48	678037001	Torsion Spring	1
21	678113001	Spring.....	1	49	518052003	Trigger.....	1
22	511720002	Chain Brake Cover	1	50	518050003	Plug	1
23	660634001	Screw (8-16 x 5/16 in.)	3	51	631051001	Isolator Plate	1
24	300954001	Chain Brake Link Assembly	1	52	671098001	Isolator Spring	1
25	671099001	Spring Pin (Small)	1	53	660630001	Screw (10-24 x 5/8 in., T.F.)	1
26	660635001	Screw (8-32 x 5/8 in.)	1	54	660639001	Screw (8-32 x 3/4 in., T.F.)	2
27	671096001	Pivot (Right Hand)	1	55	290298001	Ignition Switch Harness	1
28	671097001	Pivot (Left Hand).....	1	56	309261003	Ignition Kit	1

RYOBI CHAIN SAW – MODEL NUMBERS RY10518 & RY10520

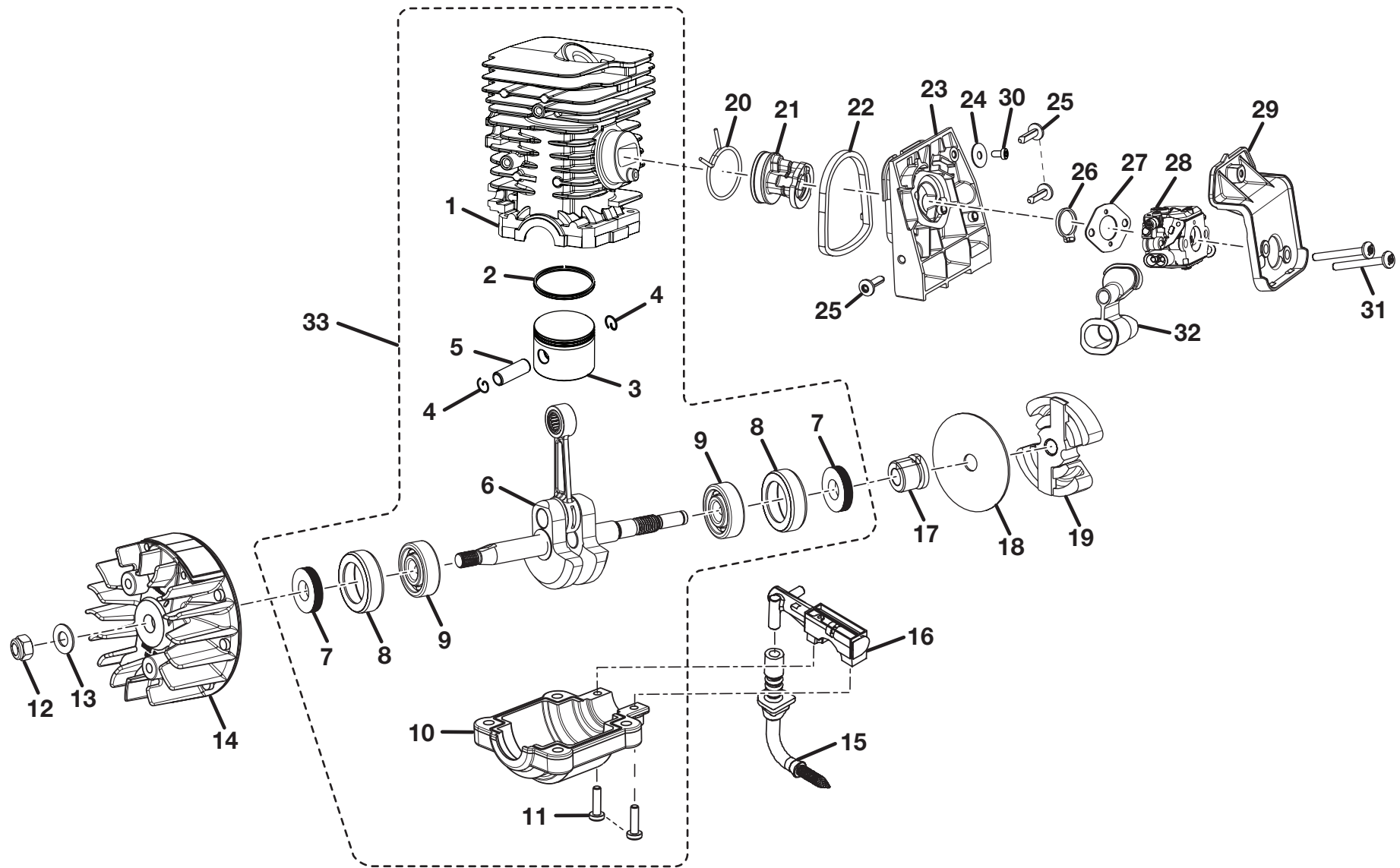


Figure B

RYOBI CHAIN SAW – MODEL NUMBERS RY10518 & RY10520

The model number will be found on a plate attached to the motor housing. Always mention the model number in all correspondence regarding your **CHAIN SAW** or when ordering repair parts.

PARTS LIST (FIGURE B)

KEY NO.	PART NUMBER	DESCRIPTION	QTY	KEY NO.	PART NUMBER	DESCRIPTION	QTY
1	640200007	Cylinder	1	18	631061001	Thrust Washer	1
2	678747003	Piston Ring	2	19	300960003	Clutch Assembly	1
3	640350008	Piston	1	20	671267001	Wire Clamp	1
4	678053001	Retaining Ring	2	21	570243001	Intake Boot	1
5	620392001	Piston Pin	1	22	518047001	Carburetor Adaptor Seal	1
6	309160006	Crankshaft Assembly	1	23	308081001	Carburetor Adapter	1
7	570220001	Shaft Seal	2	24	671072001	Washer	1
8	570221001	Bearing Case	2	25	660629001	Screw (10-14 x 3/4 in., T.F.)	3
9	671089002	Ball Bearing	2	26	518045001	Carburetor Plate	1
10	640843001	Crankcase	1	27	900886002	Carburetor Gasket	1
11	660627001	Screw (8-32 x 5/8 in.)	2	28	309360001	Carburetor Assembly	1
12	678067001	Lock Nut (M8)	1	29	518048001	Air Filter Base	1
13	631049001	Washer	1	30	660634001	Screw (8-16 x 5/16 in.)	1
14	309010005	Flywheel Assembly	1	31	660655001	Screw (10-32 x 1 3/4 in.)	2
15	300950001	Oil Intake Tube Assembly	1	32	570242001	Grommet	1
16	300945001	Oil Pump Assembly	1	33	309890005	Short Block Assembly (Inc. Key Nos. 1-11)	1
17	T610389001	Left Hand Worm	1				