

RYOBI BLOWER/VACUUM - MODEL NUMBERS RY08552 AND RY09905

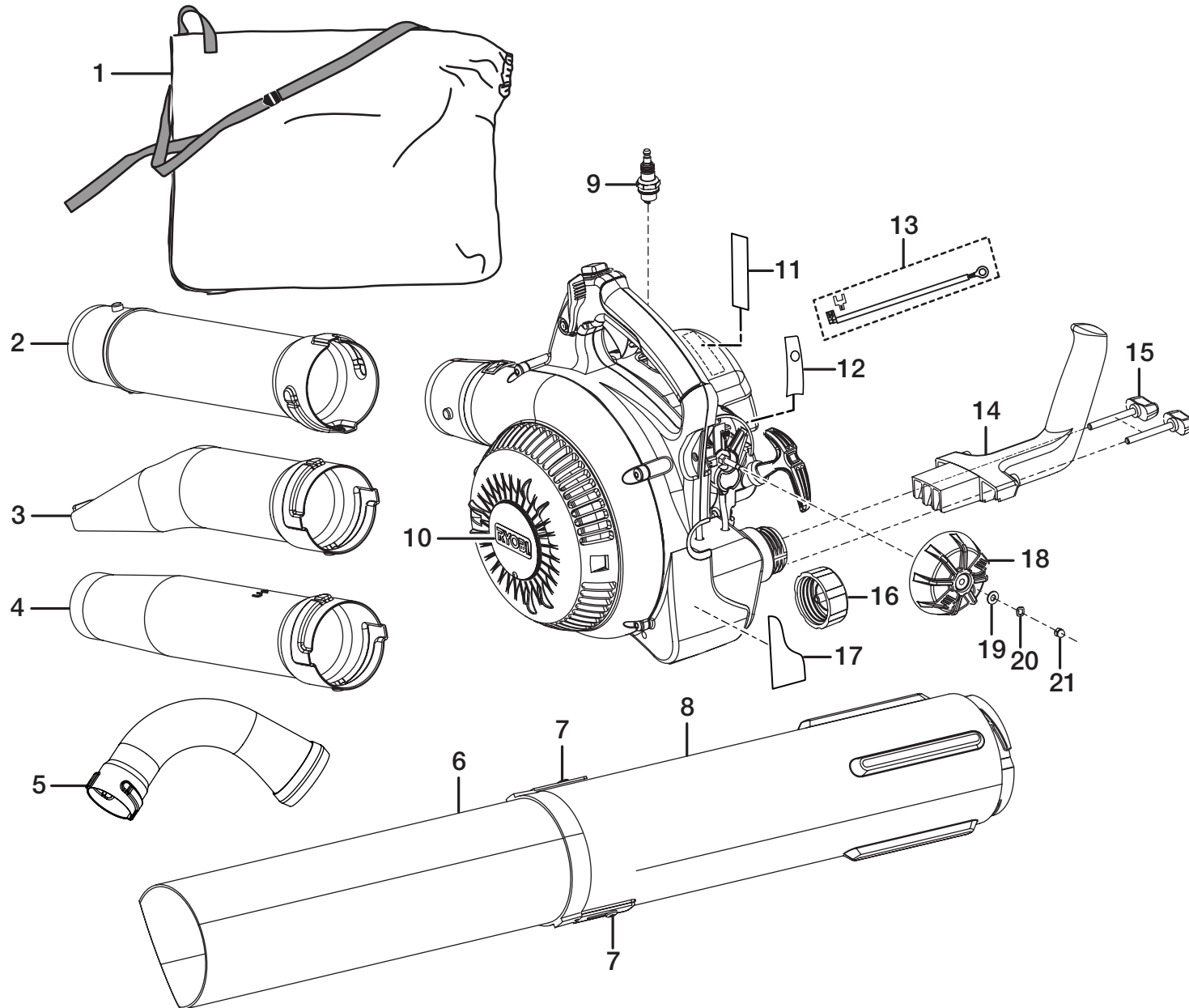


Figure A

RYOBI BLOWER/VACUUM – MODEL NUMBERS RY08552 AND RY09905

The model number will be found on a plate attached to the engine housing. Always mention the model number in all correspondence regarding your **BLOWER/VACUUM** or when ordering repair parts.

PARTS LIST (FIGURE A)

KEY NO.	PART NUMBER	DESCRIPTION	QTY
1	900960002	Vacuum Bag w/Shoulder Strap	1
2	570543001	Upper Blower Tube.....	1
3	580613001	High Velocity Nozzle w/ Leaf Scraper.....	1
4	570564001	Sweeper Nozzle	1
5	570563001	Vacuum Bag Adaptor.....	1
6	570562001	Lower Vacuum Tube.....	1
7	660621001	Vacuum Tube Screw (10-14 x 1/2 in.).....	2
8	570561001	Upper Vacuum Tube.....	1
9	870170001	* Spark Plug (Champion RCJ4).....	1
10	940627001	Vacuum Door Label	1
11	940734022	Starting Label.....	1
12	940647019	Choke Label.....	1
13	290294001	Ground Wire Kit	1
14	518180001	Vacuum Handle	1
15	518273001	Vacuum Handle Knob.....	2
16	300758006	Fuel Cap Assembly.....	1
17	940627005	Warning Label.....	1
18	518597001	* Choke Dial Cover.....	1
19	678434001	* Washer (M5).....	1
20	678434002	* Wavy Washer (M5).....	1
21	678435001	* Nylon Nut (M4)	1
	987000126	Operator's Manual (960641001)	1
	9-12-07 (REV:00)		

* STANDARD HARDWARE ITEM – MAY BE PURCHASED LOCALLY

RYOBI BLOWER/VACUUM - MODEL NUMBERS RY08552 AND RY09905

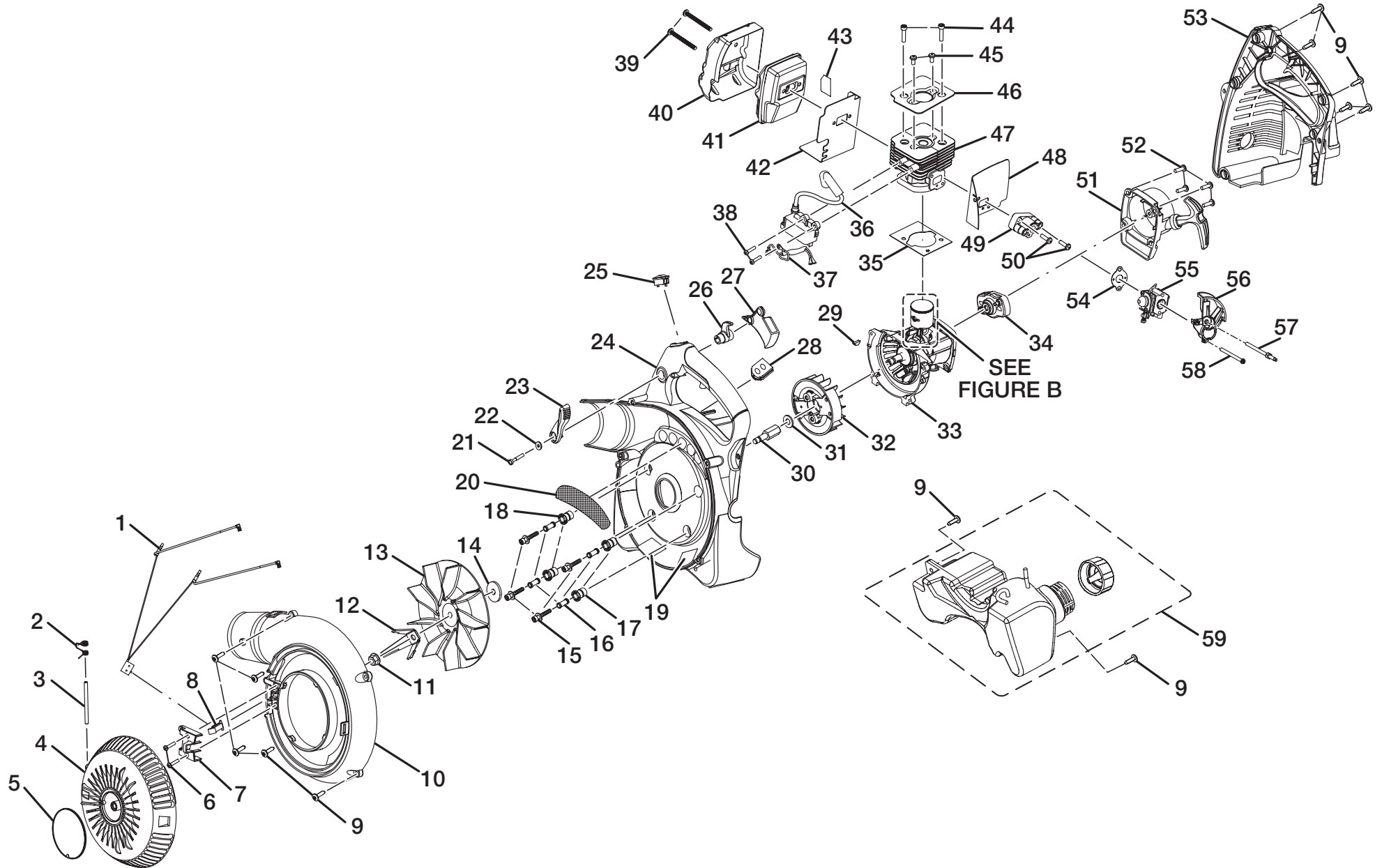


Figure B

RYOBI BLOWER/VACUUM – MODEL NUMBERS RY08552 AND RY09905

The model number will be found on a plate attached to the engine housing. Always mention the model number in all correspondence regarding your **BLOWER/VACUUM** or when ordering repair parts.

PARTS LIST (FIGURE B)

KEY NO.	PART NUMBER	DESCRIPTION	QTY	KEY NO.	PART NUMBER	DESCRIPTION	QTY
1	870166001	Vacuum Door Kill Switch	1	31	678171002	Washer (2.3 mm).....	1
2	678117001	Vacuum Door Hinge Spring.....	1	32	640574001	Flywheel Assembly	1
3	650026002	Hinge Pin	1	33	300749004	Crankcase Assembly.....	1
4	518268031	Vacuum Door.....	1	34	308004001	Pulley Assembly	1
5	518252001	Vacuum Door Cover	1	35	900709001	Cylinder Gasket.....	1
6	660665001	* Screw (M4 x 19 mm).....	2	36	290178008	Coil & Boot Assembly.....	1
7	518170001	Vacuum Door Hinge	1	37	290702001	Lead Assembly	1
8	518254001	Kill Switch Activator Lever	1	38	660349001	* Screw (M4 x 22 mm).....	2
9	660674001	* Screw (M14 x 7/8 in.).....	12	39	660347001	* Screw (M5 x 50 mm).....	2
10	518266031	Outer Volute Housing	1	40	638027001	Heat Shield	1
11	678128002	Hex Nut w/Retaining Washer	1	41	300748016	Muffler Assembly.....	1
12	678114001	Mulcher Blade	1	42	638183001	Gasket Muffler	1
13	518265001	Blower Fan (25.4cc).....	1	43	900955003	Heat Shield	1
14	678126001	Washer (Fan Spacer)	1	44	660342001	* Screw (M5 x 22 mm).....	2
15	660759002	* Screw (M5 x 8 mm Cap Hd.)	4	45	660351002	* Screw w/Washer (M5 x 10 mm).....	2
16	678124001	Sleeve Bushing	4	46	630002021	Cylinder Plate	1
17	570544002	Anti Vibration Bushing	2	47	640570016	Cylinder	1
18	570544003	Vibration Isolator.....	2	48	901206001	Insulator Gasket	1
19	900955001	Heat Shield	2	49	518596001	Heat Dam.....	1
20	638179001	Wire Mesh.....	1	50	660344003	* Screw w/Washer (M5 x 31 mm).....	2
21	660666001	* Screw (M4 x 25 mm).....	1	51	308430001	Starter Assembly	1
22	678125001	Washer.....	1	52	660351001	* Screw (M5 x 16 mm).....	4
23	518160001	Cruise Control Lever.....	1	53	518323012	Engine Shroud Housing	1
24	518140004	Inner Volute Housing	1	54	901552001	Carburetor Gasket	1
25	760363003	Switch	1	55	308054010	Carburetor	1
26	518150001	Trigger Lock.....	1	56	518498002	Roto-choke base	1
27	518255001	Trigger	1	57	660453003	Hex Bolt (Double Side)	1
28	570624001	Rubber Grommet.....	1	58	660454004	* Screw (M5 x 25 mm).....	1
29	690688001	Woodruff Key (S43C).....	1	59	308342006	Fuel Tank Assembly	1
30	308068002	Crankshaft Extension	1				

* STANDARD HARDWARE ITEM – MAY BE PURCHASED LOCALLY

RYOBI BLOWER/VACUUM – MODEL NUMBERS RY08552 AND RY09905

The model number will be found on a plate attached to the engine housing. Always mention the model number in all correspondence regarding your **BLOWER/VACUUM** or when ordering repair parts.

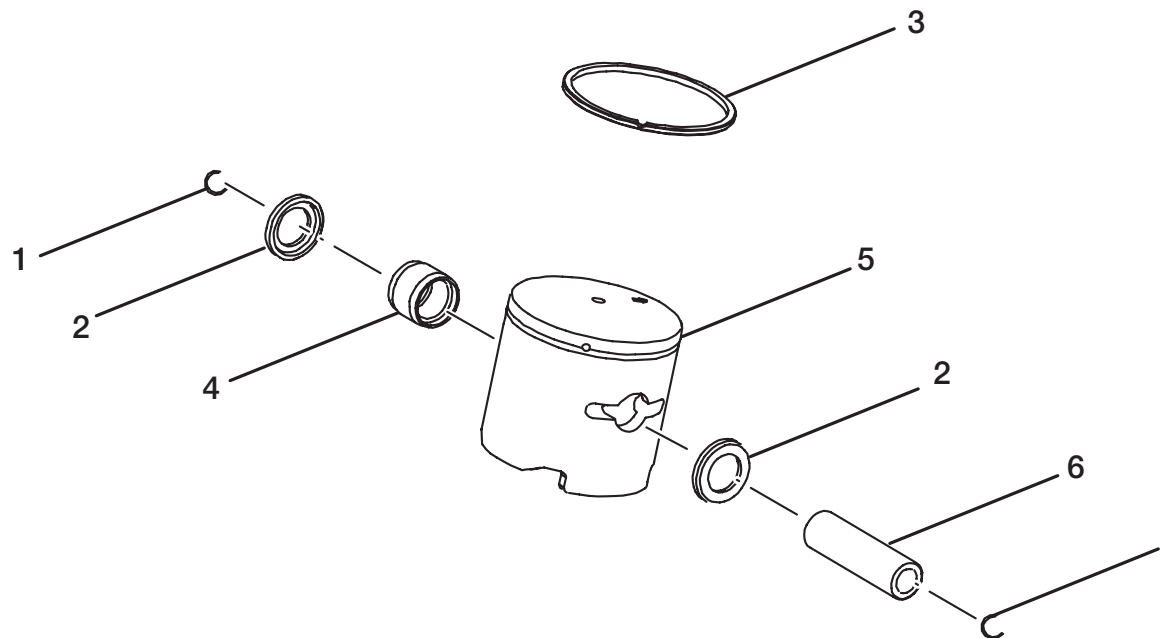


Figure C

PARTS LIST (FIGURE C)

KEY NO.	PART NUMBER	DESCRIPTION	QTY
1	690691001	Circlip Pin	2
2	690687001	Washer	2
3	690161002	Piston Ring	1
4	690686002	Needle Bearing	1
5	640920002	Piston	1
6	620301001	Piston Pin	1

* STANDARD HARDWARE ITEM – MAY BE PURCHASED LOCALLY