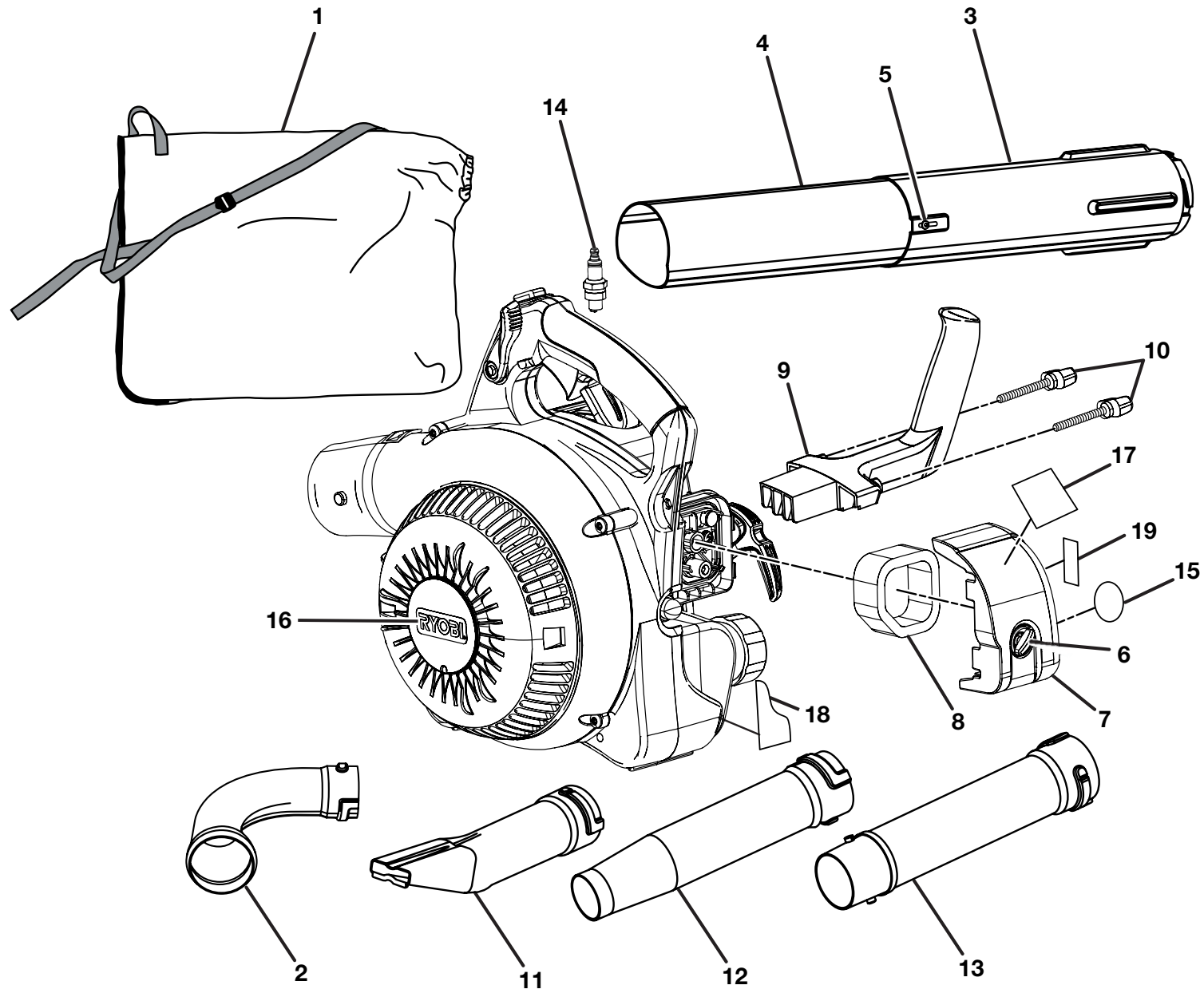


RYOBI BLOWER/VACUUM - MODEL NUMBER RY08544



RYOBI BLOWER/VACUUM – MODEL NUMBER RY08544

The model number will be found on a plate attached to the starter housing. Always mention the model number in all correspondence regarding your **BLOWER/VACUUM** or when ordering repair parts.

PARTS LIST

KEY NO.	PART NUMBER	DESCRIPTION	QTY
1	900960001	Vacuum Bag w/Shoulder Strap	1
2	570563001	Vacuum Bag Adaptor	1
3	570561001	Upper Vacuum Tube	1
4	570562001	Lower Vacuum Tube	1
5	660621001	Vacuum Tube Screws	2
6	590461001	Air Filter Knob	1
7	518253001	Air Filter Cover	1
8	560873001	Air Filter	1
9	518180001	Vacuum Handle	1
10	518273001	Vacuum Handle Knobs	2
11	580613001	High Velocity Nozzle w/ Leaf Scraper	1
12	570564001	Sweeper Nozzle	1
13	570543001	Upper Blower Tube	1
14	870174001	* Spark Plug (Champion RCJ6Y)	1
15	940627006	Zip Start Label	1
16	940627001	Vacuum Door Label	1
17	940627004	Starting Instructions Label	1
18	940627005	Warning Label	1
19	940627007	Starting Label	1
	983000906	Operator's Manual (960968005)	
	08-29-06		
	(REV:01)		

* STANDARD HARDWARE ITEM – MAY BE PURCHASED LOCALLY

RYOBI BLOWER/VACUUM - MODEL NUMBER RY08544

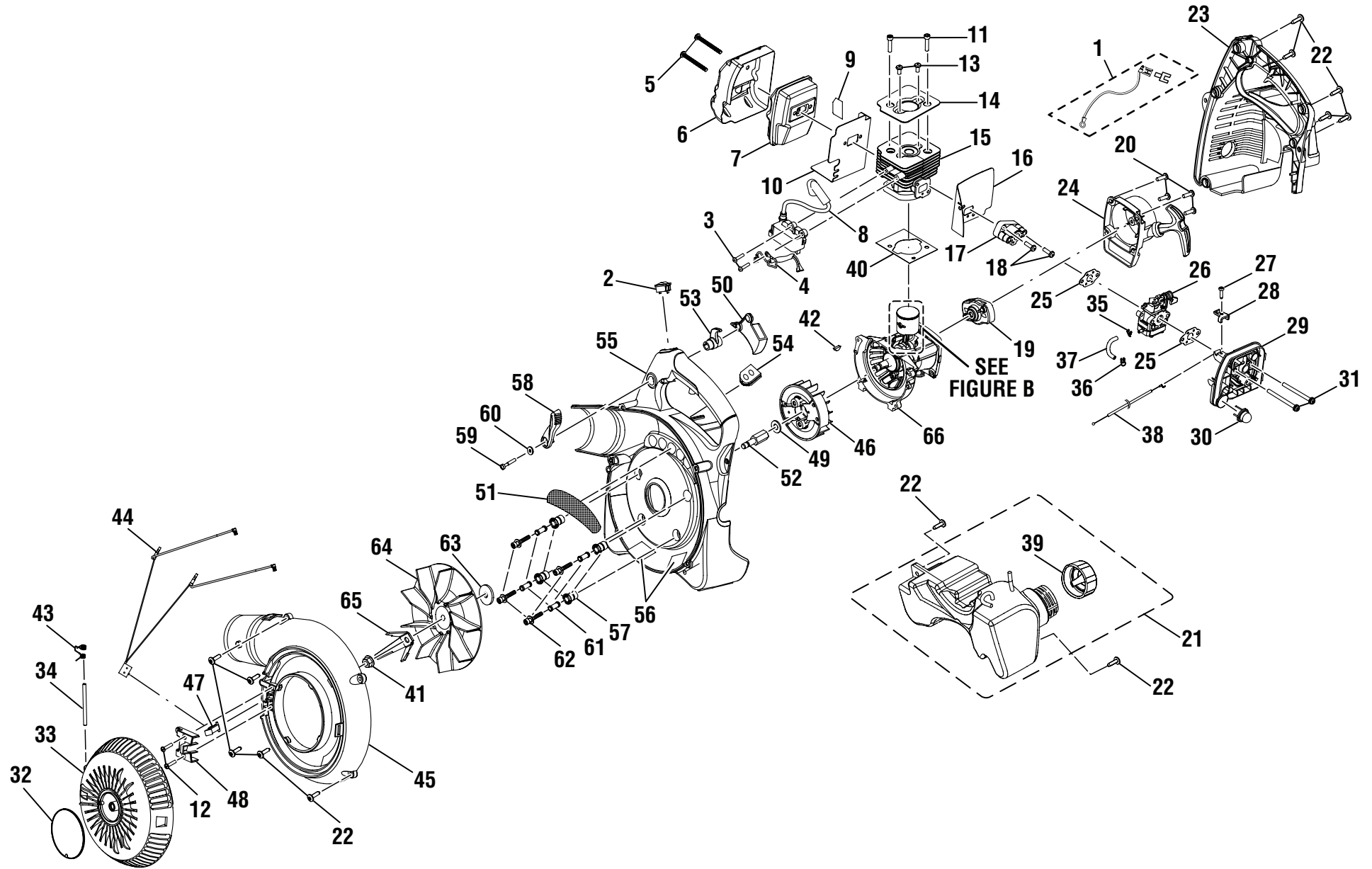


Figure A

RYOBI BLOWER/VACUUM – MODEL NUMBER RY08544

The model number will be found on a plate attached to the starter housing. Always mention the model number in all correspondence regarding your **BLOWER/VACUUM** or when ordering repair parts.

PARTS LIST (FIGURE A)

KEY NO.	PART NUMBER	DESCRIPTION	QTY	KEY NO.	PART NUMBER	DESCRIPTION	QTY
1	290294001	Grounding Wire Kit	1	34	650026002	Hinge Pin	1
2	760363003	Switch	1	35	690700001	Clip-hose (1d 4.9)	1
3	660349001	* Screw (M4 X 22 mm)	2	36	690699001	Clip-hose	2
4	290702001	Lead Assembly	1	37	570574001	Tubing Rubber	1
5	660347001	* Screw (M5 X 50 mm)	2	38	308209001	Cable Assembly.....	1
6	638027001	Heat Shield	1	39	300758006	Fuel Cap Assembly	1
7	300748016	Muffler Assembly	1	40	900709001	Cylinder Gasket	1
8	290178008	Coil & Boot Assembly	1	41	678128002	Retaining Washer Nut.....	1
9	900955003	Heat Shield	1	42	690688001	Key Woodruff (S43C)	1
10	638183001	Gasket Muffler	1	43	678117001	Vacuum Door Hinge Spring	1
11	660342001	* Screw (M5 X 22 mm)	2	44	870166001	Vacuum Door Kill Switch	1
12	660665001	* Screw (#8-14 X 16.3 mm).....	2	45	518266001	Outer Volute Housing	1
13	660351002	* Screw & Washer (M5 X 10 mm).....	2	46	640574001	Fly-wheel Assembly.....	1
14	630002021	Plate for Cylinder	1	47	518254001	Kill Switch Activator Lever	1
15	640570016	Cylinder	1	48	518170001	Vacuum Door Hinge	1
16	900711006	Insulator Gasket	1	49	678171002	Washer (2 mm).....	1
17	518329001	Insulator.....	1	50	518255001	Trigger.....	1
18	660344003	* Screw & Washer (M5 X 22 mm).....	2	51	638179001	Metal Mesh	1
19	308004001	Pulley Assembly	1	52	308068002	Crank Shaft Extension.....	1
20	660351001	* Screw (M5 X 16 mm)	4	53	518150001	Trigger Lock.....	1
21	308342003	Fuel Tank Assembly (Inc. Key No. 39)	1	54	570624001	Rubber Grommet.....	1
22	660674001	* Screw (#10-14 X 7/8 in.)	12	55	518140001	Housing Inner Volute	1
23	518323001	Engine Shroud Housing	1	56	900955001	Heat Shield	2
24	308430001	Starter Assembly	1	57	570544002	Vibration Isolator.....	4
25	900711003	Carburetor Gasket.....	2	58	518160001	Cruise Lever	1
26	308428003	Carburetor (Walbro WYC-8).....	1	59	660666001	* Screw (#8-14 X 25 mm).....	1
27	660734001	* Screw (M4 X 1.75 X16 mm Pan Hd.).....	1	60	678125001	Washer.....	1
28	638133003	Clip-throttle Cable	1	61	678124001	Bushing Sleeve.....	4
29	518130002	Air Box Base	1	62	660759002	* Screw (M5 X 8 mm Cap Hd.).....	4
30	300780002	Primer Assembly	1	63	678126001	Washer-fan Spacer	1
31	660346001	* Screw (M5 X 60 mm)	2	64	518265001	24.5 Cc Blower Fan	1
32	518252001	Vacuum Door Cover	1	65	678114001	Blade-mulder	1
33	518268001	Vacuum Door	1	66	300749004	Crankcase Assembly	1

* STANDARD HARDWARE ITEM – MAY BE PURCHASED LOCALLY

RYOBI BLOWER/VACUUM – MODEL NUMBER RY08544

The model number will be found on a plate attached to the starter housing. Always mention the model number in all correspondence regarding your **BLOWER/VACUUM** or when ordering repair parts.

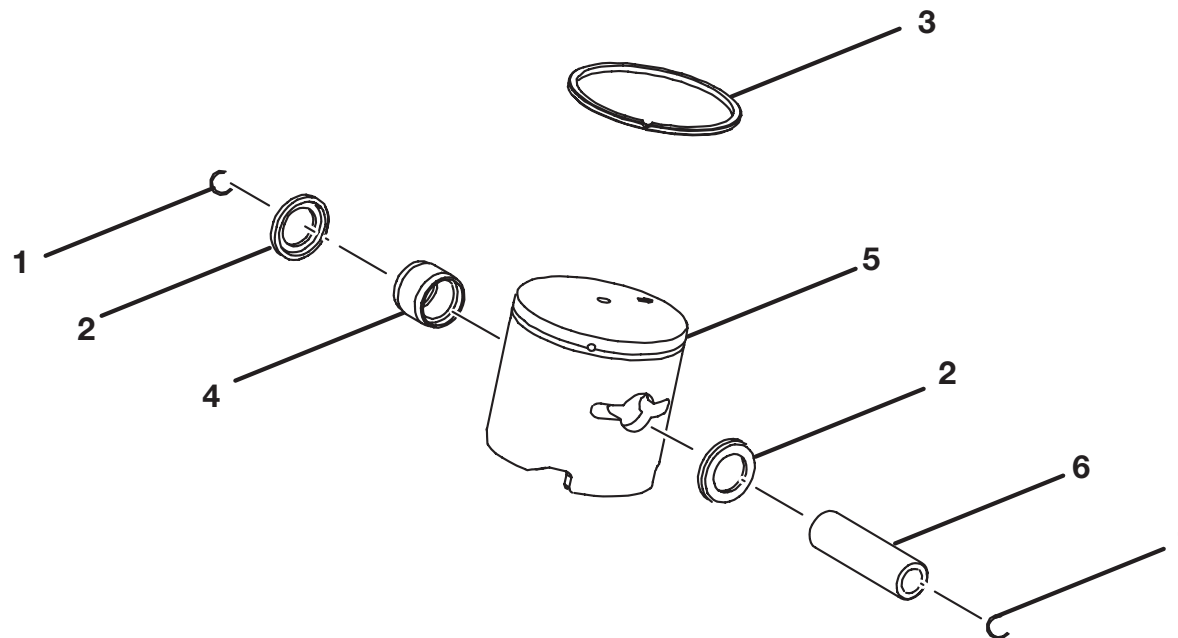


Figure B

PARTS LIST (FIGURE B)

KEY NO.	PART NUMBER	DESCRIPTION	QTY
1	690691001	Circlip Pin	2
2	690687001	Washer	2
3	690161002	Piston Ring	1
4	690686002	Needle Bearing	1
5	640920002	Piston	1
6	620301001	Piston Pin	1

* STANDARD HARDWARE ITEM – MAY BE PURCHASED LOCALLY